

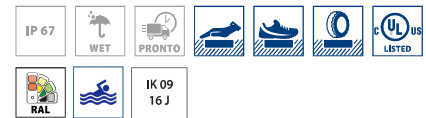
STEEL ROUND MIDI RAD



In-ground step mark series. Fixtures consist of:

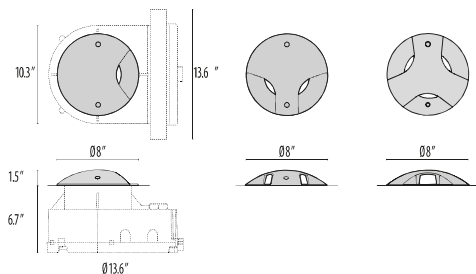
- Copper-free die-cast aluminum housing and die-cast corrosion-resistant AISI 316 stainless steel dome (RAD versions).
- High transmittance, internally frosted, soda-lime pressed glass diffuser, thermally, and chemically quenched to strengthen the impact resistance and reduce the effect of rapid temperature changes (RAD versions).
- Custom molded, anti-aging gasket(s).
- Stainless steel external hardware.
- Custom MCPCB utilized to maximize heat dissipation and promote a long LED life.
- Ground-level side-emission light distribution (RAD 90°, 180°, and 360°).
- Input voltage: 120-277 V (50 / 60 Hz), integral driver.
- Pre-wired cable connects luminaire with WATER-STOP connection system, suitable for through wiring. Included cable glands accept cables from Ø0.35" up to Ø0.63".
- Drive over rated <6 MPH, 7716 lbs weight
Static load up to 4409 lbs

- COMPACT reduced depth rough-in comes with formed steel bars to provide support in drive-over applications and is designed to encourage water drainage.
- Each rough-in kit is provided with a protective faceplate to avoid possible deformations during the installation in concrete to simplify installation.
- Standard easy-to-adjust mounting system that enables the fixture to be easily aimed even after installation.
- Consult factory for dimming options, custom finishes (please specify RAL color), and non-cataloged CCT (Kelvin) options including static colors.
- Thermoplastic compression-molded rough-in kit can be ordered separately.
- For outdoor inground applications, provide drainage gravel at least 12" below the rough-in or a suitable drainage system.
- Product meets Buy American Act requirements within ARRA.
- 5-year warranty.
- Marine Grade finish.
- Suitable for Natatorium applications.



FINISHES

- INOX / Stainless steel / Matt
- BK-81 / Black / Textured
- AN-96 / Iron gray / Textured
- GR-94 / Aluminum metallic / Textured
- WH-87 / White / Textured
- RB-10 / Iron rust / Textured



STEEL ROUND
MIDI RAD

Lumen Output	3K	4K	6K
Steel Round Midi RAD 90°	57	69	75
Steel Round Midi RAD 180°	114	146	159
Steel Round Midi Rad 360°	168	212	214

3.6W/5.4W/7.8W Max Wattage



Scan here
for installation
instructions

Revision 04
05/23

Order Guide - Steel Round Maxi RAD



Order code example

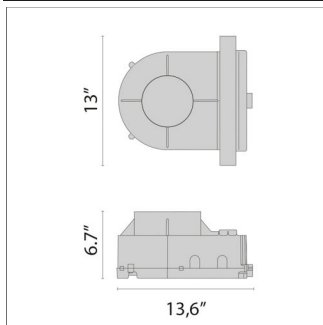
SRMIDIR-180-5.4-SS-4K-120-NA

SRMIDIR-

Light Output	Wattage	Finish	Kelvin	Voltage	Controls	Accessories
90 1 Beam	3.6 3.6 watt (90 max)	SS Stainless Steel Polished	3K 3000k	UNV 120-277V	NA Non Dimming 0-10V 0-10V Dimming ELV ELV Dimming	TP Tamper Proof hardware
180 2 Beams	5.4 5.4 watt (180 max)	AM Aluminum Metallic	4K 4000k			
360 3 Beams	7.8 7.8 watt (360 max)	IG Iron Gray IR Iron Rust BK Textured Black WH Textured White CC Custom Color	6K 6000K			

INCLUDED ACCESSORIES

DESCRIPTION	FINISH	PART NUMBER
STEEL ROUND MIDI RAD		
Recessed Rough-in kit		310331



Performance in Lighting reserves the right to make all necessary changes without prior notice.

Performance in Lighting - 2621 Keys Pointe - Conyers, Georgia 30013 - USA - voice 770.822.2115 - info.usa@pil.lighting
www.performanceinlighting.com

Revision 04
05/23