

STEEL SQUARE 28



12LED



18LED

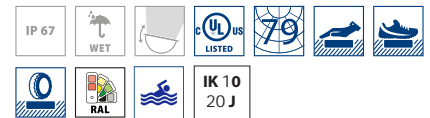


6LED

In-ground series. Fixtures consist of:

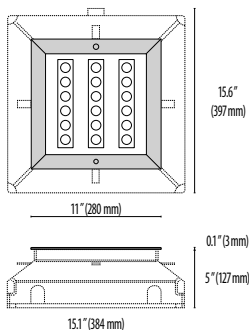
- Copper-free die-cast aluminum housing and die-cast corrosion-resistant AISI 316 stainless steel trim.
- Extra-clear, flat, tempered silk-screened soda-lime glass diffuser.
- Custom molded, anti-aging gasket(s).
- Stainless steel external hardware.
- Custom MCPCB utilized to maximize heat dissipation and promote a long LED life.
- Standard aimable optic system ($\pm 7^\circ$).
- High-transmittance transparent optics.
- $8^\circ \times 8^\circ$ beam angle (C/I).
- $10^\circ \times 45^\circ$ beam angle (ELL).
- Input voltage: 120-277 V (50 / 60 Hz), integral driver.
- Pre-wired cable connects luminaire with WATER-STOP connection system, suitable for through wiring. Included cable glands accept cables from $\varnothing 0.35"$ up to $\varnothing 0.63"$.
- Drive over rated <6 MPH, 4850 lbs weight
Static load up to 4409 lbs

- Each rough-in kit is provided with a protective faceplate to avoid possible deformations during the installation in concrete to simplify installation.
- Consult factory for dimming options, custom finishes (please specify RAL color), and non-cataloged CCT (Kelvin) options.
- Consult factory for frosted or non-slip glass options.
- Thermoplastic compression-molded rough-in kit **can be ordered separately.**
- For outdoor inground applications, provide drainage gravel at least 12" below the rough-in or a suitable drainage system.
- Product meets Buy American Act requirements within ARRA.
- 5-year warranty.
- Marine Grade finish.
- Suitable for Natatorium applications.



FINISHES

- INOX / Stainless steel / Matt
- BK-81 / Black / Textured
- AN-96 / Iron gray / Textured
- GR-94 / Aluminum metallic / Textured
- WH-87 / White / Textured
- RB-10 / Iron rust / Textured



STEEL SQUARE
28

Lumen Output	3K	4K	6K
Steel Sq 28 - 12 LED ELL	550	756	763
Steel Sq 28 - 12 LED 8°	686	929	939
Steel Sq 28 - 18 LED ELL	852	1146	1148
Steel Sq 28 - 18 LED 8°	1056	1425	1465
Steel Sq 28 Side - 6 LED ELL	277	364	368
Steel Sq 28 Side - 6 LED 8°	344	465	465

7W/15W/22W Max Wattage



Scan here
for installation
instructions

Order Guide - Steel Square 28



Order code example

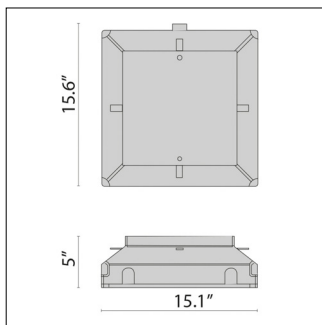
SS28-6-7-SS-3K-120-NA-NS

SS28-

Light Emission	Wattage	Optics	Finish	Kelvin	Voltage	Controls	Accessories
6 6LED	7 7.6 watt (6LED Max)	8 8° Beam	SS Stainless Steel	27K 2700k	UNV 120-277V	NA Non Dimming	NS Non-Slip Glass
12 12LED	15 15.3 watt (12LED Max)	15 15° Beam	AM Aluminum Metallic	3K 3000k			
18 18LED	22 22.4 watt (18LED Max)	20 20° Beam	IG Iron Gray	35K 3500k	ELV ELV Dimming	FRST Frosted glass lens	
		30 30° Beam	IR Iron Rust	4K 4000k			
	XX Specify Wattage Must be below max	35 35° Beam	BK Textured Black	6K 6000k	RED Static Red	TP Tamper Proof hardware	
		45 45° Beam	WH Textured White	BLU Static Blue			
		55 55° Beam	CC Custom Color	GRN Static Green			
		75 75° Beam		AMB Static Amber			
		80 80° Beam					
		ELL 10°x45°					

INCLUDED ACCESSORIES

DESCRIPTION	FINISH	PART NUMBER
STEEL SQUARE 28 Recessed Rough-in kit		310374



Performance in Lighting reserves the right to make all necessary changes without prior notice.

Performance in Lighting - 2621 Keys Pointe - Conyers, Georgia 30013 - USA - voice 770.822.2115 - info.usa@pil.lighting
www.performanceinlighting.com

Revision 06
06/23