

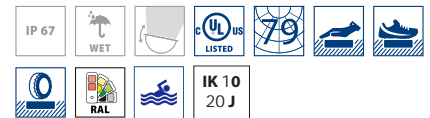
STEEL SQUARE 34



In-ground series. Fixtures consist of:

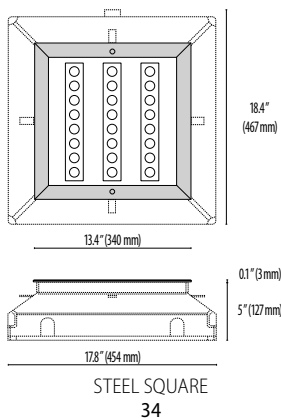
- Copper-free die-cast aluminum housing and die-cast corrosion-resistant AISI 316 stainless steel trim.
- Extra-clear, flat, tempered silk-screened soda-lime glass diffuser.
- Custom molded, anti-aging gasket(s).
- Stainless steel external hardware.
- Custom MCPCB utilized to maximize heat dissipation and promote a long LED life.
- High-transmittance transparent optics.
- Standard aimable optic system ($\pm 7^\circ$).
- $8^\circ \times 8^\circ$ beam angle (C/I).
- $10^\circ \times 45^\circ$ beam angle (ELL).
- Input voltage: 120-277 V (50 / 60 Hz), integral driver.
- Pre-wired cable connects luminaire with WATER-STOP connection system, suitable for through wiring. Included cable glands accept cables from $\varnothing.35"$ up to $\varnothing.63"$.
- Drive over rated <6 MPH, 4850 lbs weight
Static load up to 4409 lbs

- Each rough-in kit is provided with a protective faceplate to avoid possible deformations during the installation in concrete to simplify installation.
- Consult factory for dimming options, custom finishes (please specify RAL color), and non-cataloged CCT (Kelvin) options.
- Consult factory for frosted or non-slip glass options.
- Thermoplastic compression-molded rough-in kit to be ordered separately.
- For outdoor inground applications, provide drainage gravel at least 12" below the rough-in or a suitable drainage system.
- Product meets Buy American Act requirements within ARRA.
- 5-year warranty.
- Marine Grade finish.
- Suitable for Natatorium applications.



FINISHES

- INOX / Stainless steel / Matt
- BK-81 / Black / Textured
- AN-96 / Iron gray / Textured
- GR-94 / Aluminum metallic / Textured
- WH-87 / White / Textured
- RB-10 / Iron rust / Textured



Lumen Output	3K	4K	6K
Steel Sq 34 - 16 LED ELL	744	1024	1024
Steel Sq 34 - 16 LED 8°	909	1268	1268
Steel Sq 34 - 24 LED ELL	1087	1503	1509
Steel Sq 34 - 24 LED 8°	1357	1882	1879
Steel Sq 34 Side - 8 LED ELL	372	514	514
Steel Sq 34 Side - 8 LED 8°	463	640	640

9W/19W/29W Max Wattage



Scan here
for installation
instructions

Order Guide - Steel Square



Order code example

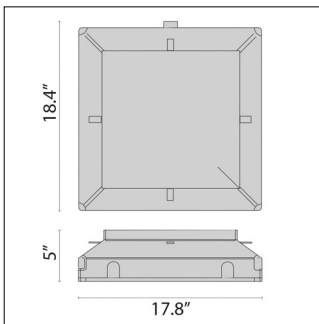
SS34-8-9-8-SS-3K-120-NA-FRST

SS34-

Light Emission	Wattage	Optics	Finish	Kelvin	Voltage	Controls	Accessories
8 8LED	9 9.6 watt (8LED Max)	8 8° Beam	SS Stainless Steel	27K 2700k	UNV 120-277V	NA Non Dimming	NS Non-Slip Glass
16 16LED	19 19.4 watt (16LED Max)	15 15° Beam	AM Aluminum Metallic	3K 3000k		0-10V 0-10V Dimming	LVR Hex Louver
24 24LED	29 29 watt (24LED Max)	20 20° Beam	IG Iron Gray	35K 3500k		ELV ELV Dimming	TP Tamper Proof Hardware
SIDE 8LED	XX Specify Wattage Must be below max	30 30° Beam	IR Iron Rust	4K 4000k			FRST Frosted glass lens
		35 35° Beam	BK Textured Black	6K 6000K			
		45 45° Beam	WH Textured White	RED Static Red			
		55 55° Beam	CC Custom Color	BLU Static Blue			
		75 75° Beam		GRN Static Green			
		80 80° Beam		AMB Static Amber			
		ELL 10°x45°					

INCLUDED ACCESSORIES

DESCRIPTION	FINISH	PART NUMBER
STEEL SQUARE 34		
Recessed Rough-in kit		310379



Performance in Lighting reserves the right to make all necessary changes without prior notice.

Performance in Lighting - 2621 Keys Pointe - Conyers, Georgia 30013 - USA - voice 770.822.2115 - info.usa@pil.lighting
www.performanceinlighting.com

Revision 06
06/23