

# SYSTEMLINE+



Area and site lighting series. Fixtures consist of:

- Multi-step powder-coat painting process, optimized against UV rays and corrosion.
- Copper-free aluminum die-cast end-caps, extruded, and anodized housing.
- Extra-clear, flat, tempered silk-screened soda-lime glass diffuser.
- Custom molded, anti-aging gasket(s).
- Stainless steel external hardware.
- Custom MCPCB utilized to maximize heat dissipation and promote a long LED life.
- High-transmittance transparent optics.
- IESNA Type I light distribution.
- IESNA Type II light distribution.
- Input voltage: 120-277 V (50 / 60 Hz), integral 0-10 V dimming driver.
- Integral surge protector can withstand up to 10 kV transient line surge.
- Consult factory for dimming options, custom finishes

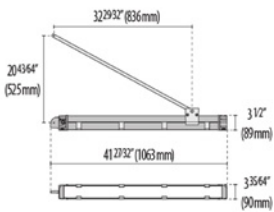
(please specify RAL color), and non-cataloged CCT (Kelvin) options.

- Consult factory for custom optics options.
- Consult factory for pole information.
- Range of accessories, including posts and painted aluminum arms, suitable for a variety of configurations for diverse settings (parks, gardens, pedestrian areas, squares, parking areas, etc.) available (ordered separately).
- Product meets Buy American Act requirements within ARRA.
- 5-year warranty.
- Marine Grade finish.
- Suitable for Natatorium applications.

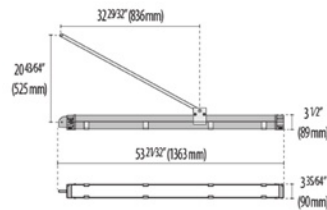


## FINISHES

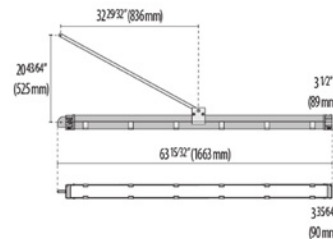
- AN-96 / Iron gray / Textured
- BK-81 / Black / Textured
- GR-94 / Aluminum metallic / Textured
- WH-87 / White / Textured
- RB-10 / Iron rust / Textured



SYSTEMLINE+  
100



SYSTEMLINE+  
130



SYSTEMLINE+  
160



Scan here  
for installation  
instructions

# Order Guide - System Line+



Order code example

**SL+100-34-T1-AM-3K-120-NA**

SL+

| Housing Style         | Wattage   | Optics                        | Finish                            | Kelvin             | Voltage                | Controls                      | Accessories                                       |
|-----------------------|---|-------------------------------|-----------------------------------|--------------------|------------------------|-------------------------------|---|
| <b>100</b><br>41 inch | <b>34</b><br>34 watt<br>(100 max)                       | <b>A/W</b><br>Asymmetric Wide | <b>AM</b><br>Aluminum<br>Metallic | <b>3K</b><br>3000k | <b>UNV</b><br>120-277V | <b>NA</b><br>Non Dimming      | <b>WMK</b><br>Wall Mount Kit                      |
| <b>130</b><br>53 inch | <b>54</b><br>54 watt<br>(130 max)                       | <b>T1</b><br>Type I           | <b>IG</b><br>Iron Gray            | <b>4K</b><br>4000k |                        | <b>0-10V</b><br>0-10V Dimming | <b>GS</b><br>Gliding Support for<br>pole mounting |
| <b>160</b><br>63 inch | <b>68</b><br>68 watt<br>(160 max)                       | <b>T2</b><br>Type II          | <b>IR</b><br>Iron Rust            |                    |                        | <b>ELV</b><br>ELV Dimming     | <b>P8</b><br>8' Pole (4")                         |
|                       | <b>XX</b><br>Specify<br>Wattage<br>must be<br>below max |                               | <b>BK</b><br>Textured Black       |                    |                        |                               | <b>P10</b><br>10' Pole (4")                       |
|                       |   |                               | <b>WH</b><br>Textured White       |                    |                        |                               | <b>P12</b><br>12' Pole (4")                       |
|                       |   |                               | <b>CC</b><br>Custom Color         |                    |                        |                               | <b>P14</b><br>14' Pole (4")                       |
|                       |   |                               |                                   |                    |                        |                               | <b>P16</b><br>16' Pole (4")                       |
|                       |   |                               |                                   |                    |                        |                               | <b>P18</b><br>18' Pole (4")                       |
|                       |   |                               |                                   |                    |                        |                               | <b>PXX</b><br>Specify Pole height                 |

| Lumen Output               | 3K          | 4K          |
|----------------------------|-------------|-------------|
| <b>Systemline+ 100 A/W</b> | <b>3125</b> | <b>3403</b> |
| <b>Systemline+ 100 T1</b>  | <b>3462</b> | <b>3770</b> |
| <b>Systemline+ 100 T2</b>  | <b>2974</b> | <b>3238</b> |
| <b>Systemline+ 130 A/W</b> | <b>4691</b> | <b>4938</b> |
| <b>Systemline+ 130 T1</b>  | <b>5300</b> | <b>5579</b> |
| <b>Systemline+ 130 T2</b>  | <b>4411</b> | <b>4643</b> |
| <b>Systemline+ 160 A/W</b> | <b>5141</b> | <b>5462</b> |
| <b>Systemline+ 160 T1</b>  | <b>5923</b> | <b>6294</b> |
| <b>Systemline+ 160 T2</b>  | <b>5972</b> | <b>6345</b> |

Performance in Lighting reserves the right to make all necessary changes without prior notice.

Performance in Lighting - 2621 Keys Pointe - Conyers, Georgia 30013 - USA - voice 770.822.2115 - info.usa@pil.lighting  
www.performanceinlighting.com

Revision 02  
10/22

# REQUIRED FOR INSTALLATION

| DESCRIPTION  | FINISH | PART NUMBER     |
|--|--------|-----------------|
| <b>SYSTEMLINE+ POLE MOUNTED</b><br>Gliding support made of painted aluminium for the installation on $\varnothing 3.9/16"$ / $\varnothing 90$ mm posts | ●      | <b>14099696</b> |
| <b>SYSTEMLINE+ WALL MOUNTED</b><br>Wall mount kit (2 pcs)  | ●      | <b>14133096</b> |



14099696

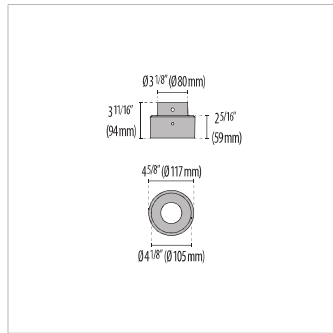


14133096



# OPTIONAL ACCESSORIES

| DESCRIPTION  |
|--------------|
|              |
|              |
|              |
| Pole 8' Ø4"  |
| Pole 10' Ø4" |
| Pole 12' Ø4" |
| Pole 14' Ø4" |
| Pole 16' Ø4" |



3111179

## STANDARD POLE OPTIONS:

- Poles are rated for 130mph (contact factory for poles with higher wind and weight ratings).
- Contact factory for additional pole heights and finishes, as well as banner arms and an integrated GFCI outlet option.
- Anchor bolts and templates can ship ahead of the poles to help expedite installation schedules.

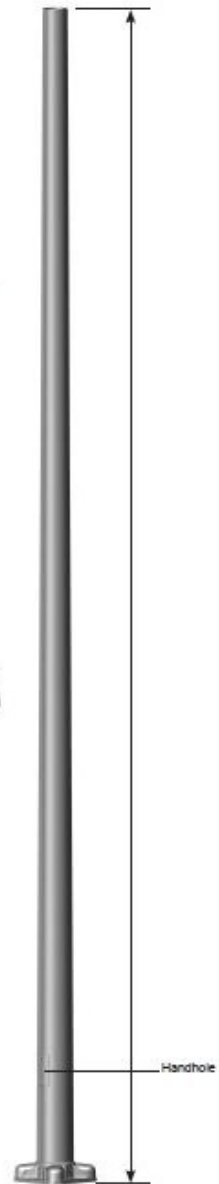
Cross Section



Handhole



Nut Covers (Standard)



Anchor Base Detail

