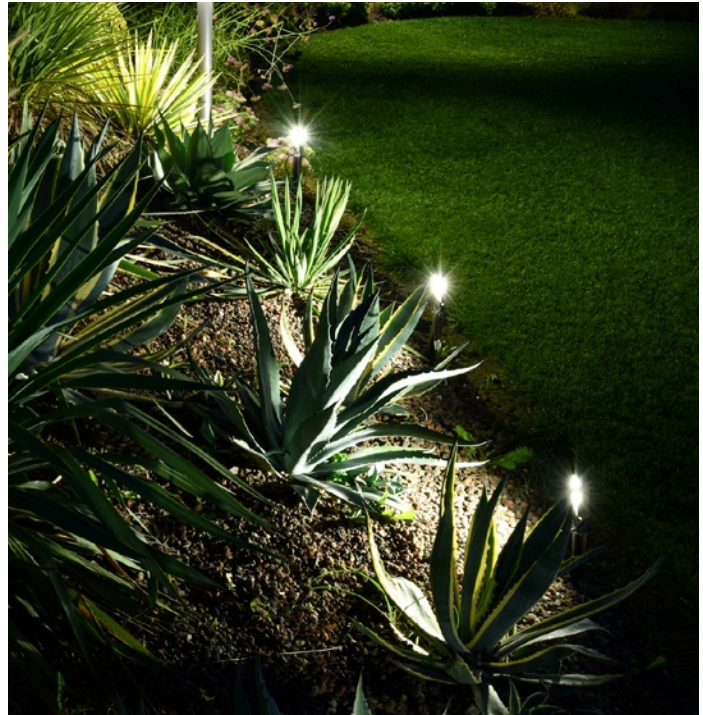


# TYK+ 10



Long-lasting energy-efficient flood and accent light series for lighting landscapes, trees, columns, monuments, and architectural details.

- Multi-step powder-coat painting process, optimized against UV rays and corrosion.
- Copper-free precision die-cast aluminum housing, and adjustable stainless steel mounting bracket.
- Stainless steel graduated ferrules for aiming purposes on both sides of the fixture.
- Extra-clear, tempered, silk-screened, flat glass diffuser.
- Custom molded, anti-aging gasket(s).
- Stainless steel external hardware.
- Custom MCPCB utilized to maximize heat dissipation and promote long LED life.
- NEMA 2H X 2V light distribution (C/I)
- NEMA 4H X 4V light distribution (C/M)
- NEMA 5H X 5V light distribution (C/IW)
- High-transmittance transparent optics.
- NEMA 5H X 5V light distribution (ELL).
- Input voltage: 120-277V (50 / 60 Hz), integral driver.
- Standard tear-proof nickelled brass cable gland M16x1.5 for cables Ø0.2" - Ø0.4"
- Pre-wired factory sealed cable for external electrical connection included.

- Standard robust 1/2" NPS knuckle mount with 180° adjustable swivel arm (SA versions) and rugged, locking teeth for a simplified installation.
- Matching junction box plate optional accessory available (ordered separately).
- The TYK+ 10 RM versions to be powered solely with the power supply units available as accessories (ordered separately).
- Maximum cable length of 10 meters between the power supply unit and the related floodlights.
- RM (Remote Driver) version are granted for a - 40°F working temperature.
- SA version add -RM for remote driver.
- Consult factory for dimming options, marine-grade, custom finishes (please specify RAL color), and non-cataloged CCT (Kelvin) options including static colors.
- Consult factory for additional optic options.
- Product meets Buy American Act requirements within ARRA.
- 5-year warranty.
- Marine Grade finish.
- Suitable for Natatorium applications.

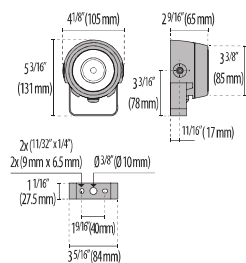


## FINISHES

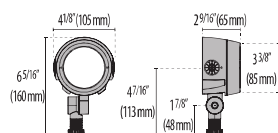
- AN-96 / Iron gray / Textured
- BK-81 / Black / Textured
- GR-94 / Aluminum metallic / Textured
- WH-87 / White / Textured
- RB-10 / Iron rust / Textured



Scan here  
for installation  
instructions



TYK+  
10



TYK+  
10 SA

Lumen Output	3K	4K
TYK+10 C/I	518	560
TYK+10 C/IW	542	585
TYK+10 C/M	554	598
TYK+10 9°x70°	439	474

8W Max Wattage

# Order Guide - TYK+10



Order code example

**TYK+10-YO-8-C/M-AM-3K-120-NA**

TYK+10-

Housing Style	Wattage	Optics	Finish	Kelvin	Voltage	Controls	Accessories
<b>YO</b> Yoke	<b>6</b> 6 watt	<b>C/I</b> 10° Beam	<b>AM</b> Aluminum Metallic	<b>27K*</b> 2700k	<b>120</b> 120 volts	<b>NA</b> Non Dimming	<b>RDR</b> Remote Mounted LED Driver (6W)
<b>SA</b> Swivel	<b>8</b> 8 watt (max)	<b>C/IW</b> 65° Beam	<b>IG</b> Iron Gray	<b>3K</b> 3000k	<b>277</b> 277 volts (remote only)	<b>0-10V</b> 0-10V Dimming (remote only)	<b>AGS</b> Anti-Glare Snoot
	<b>XX</b> Specify Wattage Must be below max	<b>C/M</b> 34°	<b>IR</b> Iron Rust	<b>35K</b> 3500k		<b>ELV</b> ELV Dimming (remote only)	<b>GRNSPI</b> Ground Spike
		<b>ELL</b> 9°x70°	<b>BK</b> Textured Black	<b>4K</b> 4000k			<b>ERB</b> Extra rotation bracket
			<b>WH</b> Textured White	<b>6K*</b> 6000k			<b>JBOX</b> Jbox cover Plate
			<b>CC</b> Custom Color	<b>RGBW*</b> RGBW			<b>BD</b> Barn door kit
				<b>Tunable White*</b> 2700-5700K			<b>XX'CABLE</b> Specify length of factory installed cable
				*Consult factory for control details			
				<b>MOQ 20</b> 27K, 6000K			

Performance in Lighting reserves the right to make all necessary changes without prior notice.

# OPTIONAL ACCESSORIES

DESCRIPTION	FINISH	PART NUMBER
<b>Optical accessories</b>		
Anti-glare snoot	●	<b>3107463</b>
Kit barndoor	●	<b>3112969</b>
<b>Wall mount</b>		
JBox cover plate - Iron gray	●	<b>07959</b>
<b>Surface mount</b>		
Extra rotation bracket +25°/-90°	●	<b>3108556</b>
<b>Stake mount</b>		
Ground spike	●	<b>700191</b>



**3107463**



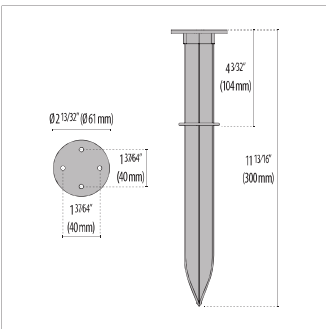
**3112969**



**07959**



**3108556**



**700191**

## RGBW ACCESSORIES

---

DESCRIPTION	FINISH	PART NUMBER
<b>Controls</b>		
Kit driver 48V		<b>17433</b>
Kit driver 48V Wet Location		<b>17096</b>



Product is supplied with integral DMX controllers, and remote 48VDC power supply. Controls by others.