

TYK+ 20



Long-lasting energy-efficient flood and accent light series for lighting landscapes, trees, columns, monuments, and architectural details.

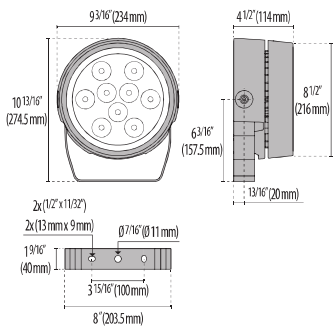
- Multi-step powder-coat painting process, optimized against UV rays and corrosion.
- Copper-free precision die-cast aluminum housing, and adjustable stainless steel mounting bracket.
- Stainless steel graduated ferrules for aiming purposes on both sides of the fixture.
- Extra-clear, tempered, silk-screened, flat glass diffuser.
- Custom molded, anti-aging gasket(s).
- Stainless steel external hardware.
- Custom MCPCB utilized to maximize heat dissipation and promote long LED life.
- NEMA 2H X 2V light distribution (C/I)
- NEMA 4H X 4V light distribution (C/M)

- NEMA 5H X 5V light distribution (C/IW)
- NEMA 5H X 5V light distribution (ELL).
- High-transmittance transparent optics.
- Input voltage: 120-277 V (50 / 60 Hz), integral 0-10 V dimming driver.
- Standard tear-proof nickelled brass cable gland M20x1.5 for cables Ø0,4" - Ø0,55"
- Consult factory for dimming options, marine-grade, custom finishes (please specify RAL color), and non-cataloged CCT (Kelvin) options including static colors.
- Consult factory for additional optic options.
- Product meets Buy American Act requirements within ARRA.
- 5-year warranty.
- Marine Grade finish.
- Suitable for Natatorium applications.



FINISHES

- AN-96 / Iron gray / Textured
- BK-81 / Black / Textured
- GR-94 / Aluminum metallic / Textured
- WH-87 / White / Textured
- RB-10 / Iron rust / Textured



TYK+
20

Lumen Output	3K	4K
TYK+20 C/I 20W	1711	1847
TYK+20 C/I 35W	2835	3060
TYK+20 C/I 50W	3916	4227
TYK+20 C/IW 20W	1858	2006
TYK+20 C/IW 35W	3078	3323
TYK+20 C/IW 50W	4252	4590
TYK+20 C/M 20W	1913	2065
TYK+20 C/M 35W	3169	3421
TYK+20 C/M 50W	4377	4725
TYK+20 35°x 65° 20W	1255	1354
TYK+20 35°x 65° 35W	1933	2087
TYK+20 35°x 65° 50W	2691	2905



Scan here
for installation
instructions

Order Guide - TYK+20



Order code example

TYK+20-C/I-20-AM-3K-120-NA-GS

TYK+20-

Optics	Wattage	Finish	Kelvin	Voltage	Controls	Accessories
C/I 10° Beam	20 20 watt	AM Aluminum Metallic	27K* 2700k	UNV 120-277V	NA Non Dimming 0-10V 0-10V Dimming	AGS Anti-Glare Snoot
C/IW 65° Beam	35 35 watt	IG Iron Gray	3K 3000k			ERB Extra rotation bracket
C/M 34°	50 50 watt (max)	IR Iron Rust	35K 3500k			JBOX Jbox cover Plate
ELL 35°x65°	XX Specify Wattage Must be below max	BK Textured Black	4K 4000k			BD Barn door kit
		WH Textured White	6K* 6000k			2AB Two Axis Rotation bracket for gliding support
		CC Custom Color	RGBW* RGBW 37W Only C/M Only			GS Gliding support (3 9/16" poles)
			*MOQ 20 27K, 6000K			P8 8' Pole Ø 3.5"
				P10 10' Pole Ø 3.5"		
				P12 12' Pole Ø 3.5"		
				P14 14' Pole Ø 3.5"		
				P16 16' Pole Ø 3.5"		
				PXX Specify pole height		
				XX'CABLE Specify length of factory installed cable 3' Standard		
				GRNSPI Ground Spike		

Performance in Lighting reserves the right to make all necessary changes without prior notice.

Performance in Lighting - 2621 Keys Pointe - Conyers, Georgia 30013 - USA - voice 770.822.2115 - info.usa@pil.lighting
www.performanceinlighting.com

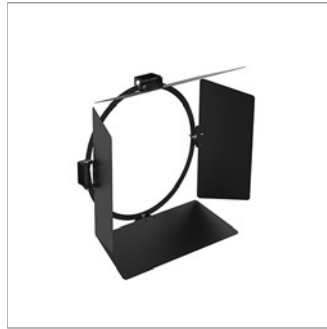
Revision 07
03/23

OPTIONAL ACCESSORIES

DESCRIPTION	FINISH	PART NUMBER
Optical accessories		
Anti-glare snoot	●	3107466
Kit barndoor	●	3112970
Wall mount		
JBox cover plate - Iron gray	●	07959
Surface mount		
Extra rotation bracket +55°-90°	●	3108557
Pole mount		
Two-axis rotation bracket for gliding support	●	3107473
Gliding support made of painted aluminium for the installation on $\varnothing 3 9/16"$ / $\varnothing 90$ mm posts		
Pole 8' $\varnothing 3.5"$	●	14099696
Pole 10' $\varnothing 3.5"$	●	71408353
Pole 12' $\varnothing 3.5"$	●	71412353
Pole 14' $\varnothing 3.5"$	●	71414353
Pole 16' $\varnothing 3.5"$	●	71416353
Ground mount		
Ground Spike		700191



3107466



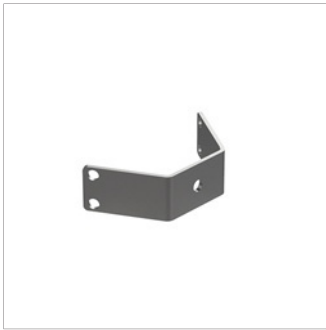
3112970



07959



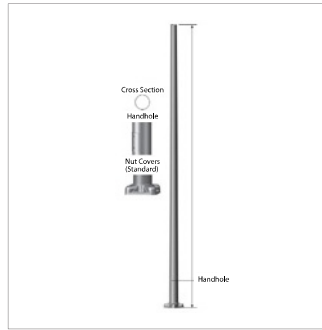
3108557



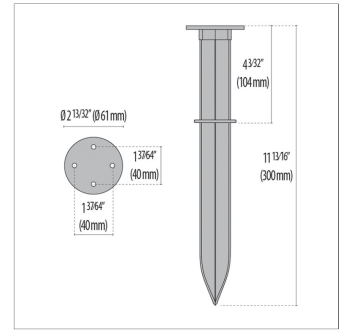
3107473



14099696



71408353
71410353
71412353
71414353
71416353



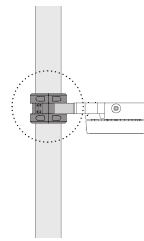
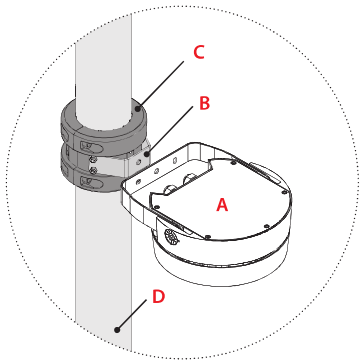
700191

Performance in Lighting reserves the right to make all necessary changes without prior notice.

Performance in Lighting - 2621 Keys Pointe - Conyers, Georgia 30013 - USA - voice 770.822.2115 - info.usa@pil.lighting
www.performanceinlighting.com

Revision 07
03/23

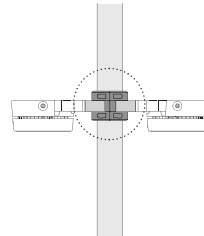
ACCESSORIES - POLE MOUNT



Complete unit - 1 luminaire

1A+1B+1C+1D = please order 4 codes

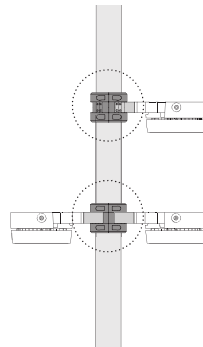
COMPONENTS	
A	TYK+
B	fixing bracket
C	gliding support
D	pole



Complete unit - 2 luminaires

2A+2B+1C+1D = please order 5 codes

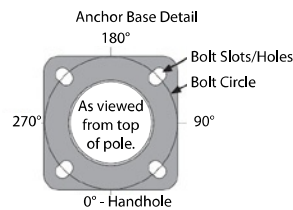
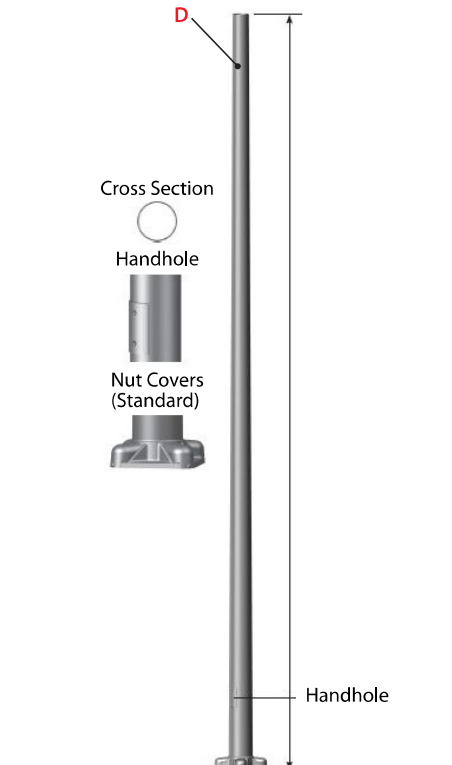
COMPONENTS	
A	TYK+
B	fixing bracket
C	gliding support
D	pole



Complete unit - 3 luminaires

3A+3B+2C+1D = please order 5 codes

COMPONENTS	
A	TYK+
B	fixing bracket
C	gliding support
D	pole



STANDARD POLE OPTIONS:

- Poles are rated for 130mph (contact factory for poles with higher wind and weight ratings).
- Contact factory for additional pole heights and finishes, as well as banner arms and an integrated GFCI outlet option.
- Anchor bolts and templates can ship ahead of the poles to help expedite installation schedules.

RGBW ACCESSORIES

DESCRIPTION	FINISH	PART NUMBER
Controls		
Kit driver 48V		17433
Kit driver 48V Wet Location		17096



Product is supplied with integral DMX controllers, and remote 48VDC power supply. Controls by others.