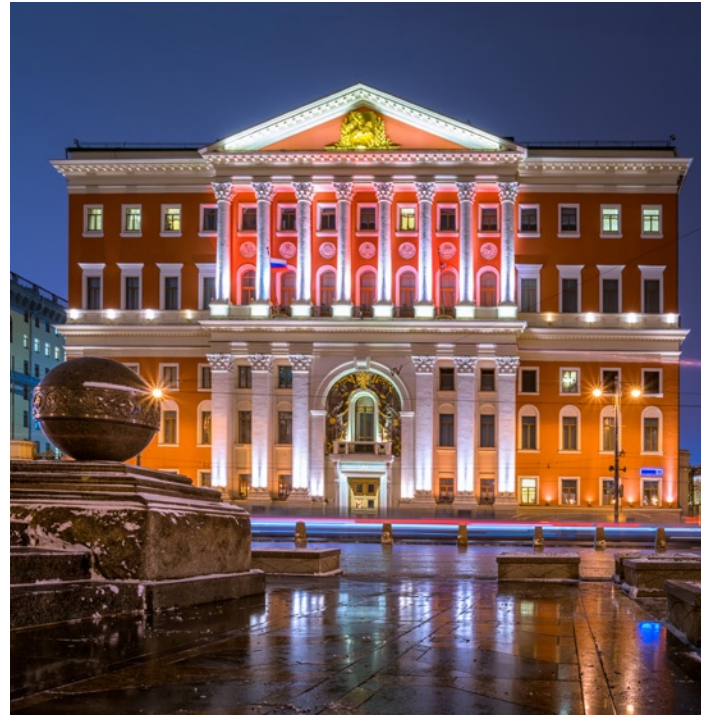


TYK+ 30



Long-lasting energy-efficient flood and accent light series for lighting landscapes, trees, columns, monuments, and architectural details.

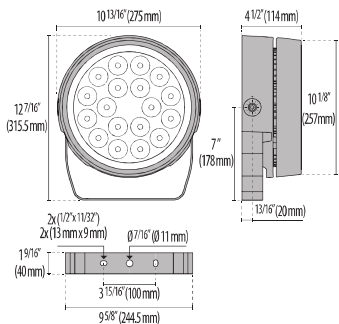
- Multi-step powder-coat painting process, optimized against UV rays and corrosion.
- Copper-free precision die-cast aluminum housing, and adjustable stainless steel mounting bracket.
- Stainless steel graduated ferrules for aiming purposes on both sides of the fixture.
- Extra-clear, tempered, silk-screened, flat glass diffuser.
- Custom molded, anti-aging gasket(s).
- Stainless steel external hardware.
- Custom MCPCB utilized to maximize heat dissipation and promote long LED life.
- NEMA 2H X 2V light distribution (C/I)
- NEMA 4H X 4V light distribution (C/M)

- NEMA 5H X 5V light distribution (C/W)
- NEMA 5H X 5V light distribution (ELL).
- High-transmittance transparent optics.
- Input voltage: 120-277 V (50 / 60 Hz), integral 0-10 V dimming driver.
- Standard tear-proof nickelled brass cable gland M20x1.5 for cables Ø0,4" - Ø0,55"
- Consult factory for dimming options, marine-grade, custom finishes (please specify RAL color), and non-cataloged CCT (Kelvin) options including static colors.
- Consult factory for additional optic options.
- Product meets Buy American Act requirements within ARRA.
- 5-year warranty.
- Marine Grade finish.
- Suitable for Natatorium applications.



FINISHES

- AN-96 / Iron gray / Textured
- BK-81 / Black / Textured
- GR-94 / Aluminum metallic / Textured
- WH-87 / White / Textured
- RB-10 / Iron rust / Textured



TYK+
30

Lumen Output	3K	4K
TYK+30 C/I 60W	5135	5543
TYK+30 C/I 85W	6547	7067
TYK+30 C/IW 60W	5575	6019
TYK+30 C/IW 85W	7109	7674
TYK+30 C/M 60W	5739	6195
TYK+30 C/M 85W	7318	7899
TYK+30 35°x 65° 60W	3487	3764
TYK+30 35°x 65° 85W	4446	4779



Scan here
for installation
instructions

Order Guide - TYK+30



Order code example

TYK+30-C/I-60-AM-3K-120-NA

TYK+30 -

Optics	Wattage	Finish	Kelvin	Voltage	Controls	Accessories
C/I 10° Beam	60 60 watt	AM Aluminum Metallic	27K* 2700k	UNV 120-277V	NA Non Dimming 0-10V 0-10V Dimming	AGS Anti-Glare Snoot
C/IW 65° Beam	85 85 watt (max)	IG Iron Gray	3K 3000k			ERB Extra rotation bracket
C/M 34°	XX Specify Wattage Must be below max	IR Iron Rust	35K 3500k			JBOX Jbox cover Plate
ELL 35°x65°		BK Textured Black	4K 4000k			2AB Two Axis Rotation bracket for gliding support
		WH Textured White	6K* 6000k MOQ 20 27k, 6000K			GS Gliding support (3 9/16" poles)
		CC Custom Color				P8 8' Pole Ø 3.5"
				P10 10' Pole Ø 3.5"		
				P12 12' Pole Ø 3.5"		
				P14 14' Pole Ø 3.5"		
				P16 16' Pole Ø 3.5"		
				PXX Specify Pole height		
				XX'CABLE Specify length of factory installed cable 3' Standard		
				HEX External Hex Louver		

Performance in Lighting reserves the right to make all necessary changes without prior notice.

OPTIONAL ACCESSORIES

DESCRIPTION	FINISH	PART NUMBER
Optical accessories		
Anti-glare snoot	●	3107469
External Hex Louver	●	1394-30
Wall mount		
JBox cover plate - Iron gray	●	07959
Surface mount		
Extra rotation bracket +55°/-90°	●	3108558
Pole mount		
Two-axis rotation bracket for gliding support	●	3107473
Gliding support made of painted aluminium for the installation on Ø 3 9/16" / Ø 90 mm posts	●	14099696
Pole 8" Ø 3.5"	●	71408353
Pole 10" Ø 3.5"	●	71410353
Pole 12" Ø 3.5"	●	71412353
Pole 14" Ø 3.5"	●	71414353
Pole 16" Ø 3.5"	●	71416353



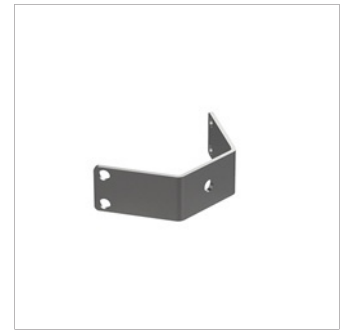
3107469



07959



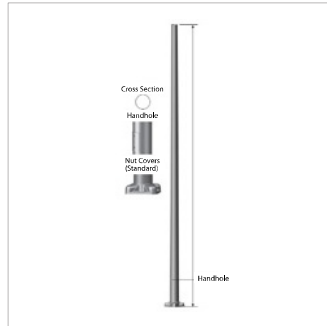
3108558



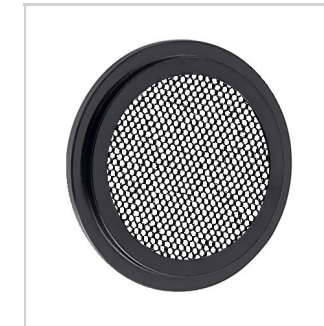
3107473



14099696

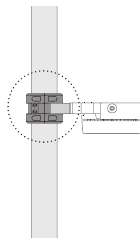
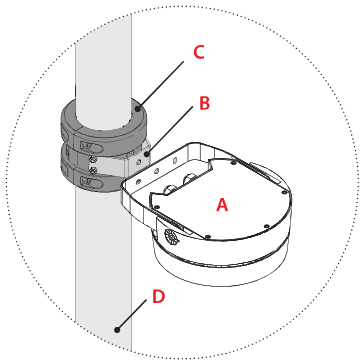


71408353
71410353
71412353
71414353
71416353



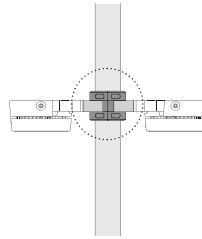
1394-30
 External hex-cell louver

ACCESSORIES - POLE MOUNT



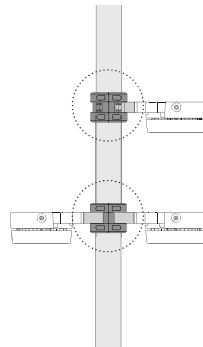
Complete unit - 1 luminaire
 $1A+1B+1C+1D =$ please order 4 codes

COMPONENTS	
A	TYK+
B	fixing bracket
C	gliding support
D	pole



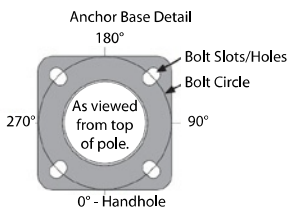
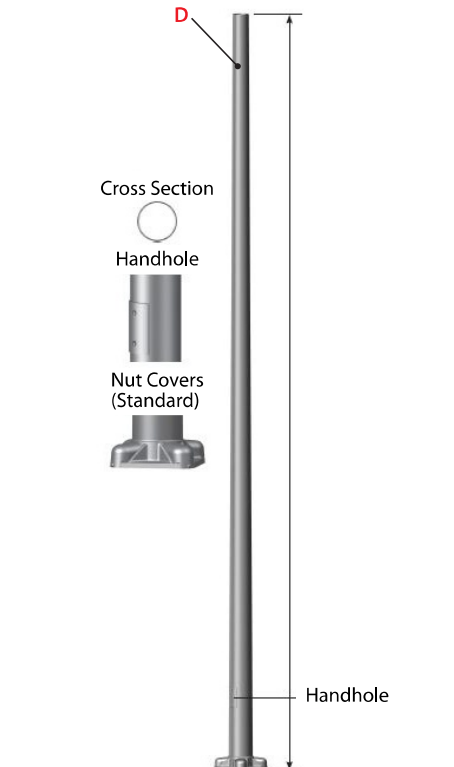
Complete unit - 2 luminaires
 $2A+2B+1C+1D =$ please order 5 codes

COMPONENTS	
A	TYK+
B	fixing bracket
C	gliding support
D	pole



Complete unit - 3 luminaires
 $3A+3B+2C+1D =$ please order 5 codes

COMPONENTS	
A	TYK+
B	fixing bracket
C	gliding support
D	pole



STANDARD POLE OPTIONS:

- Poles are rated for 130mph (contact factory for poles with higher wind and weight ratings).
- Contact factory for additional pole heights and finishes, as well as banner arms and an integrated GFCI outlet option.
- Anchor bolts and templates can ship ahead of the poles to help expedite installation schedules.