

KHA SLIM 7'2"



Slim area and site lighting series. Fixtures consist of:

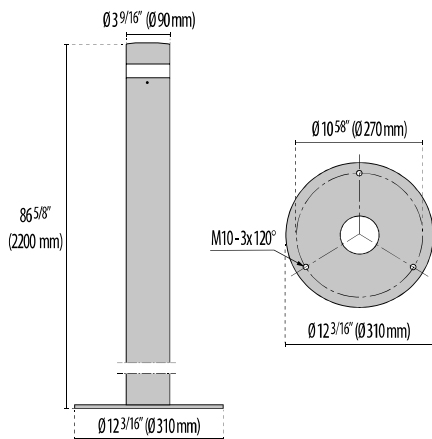
- Multi-step powder-coat painting process, optimized against UV rays and corrosion.
- Copper-free aluminum extruded post.
- Copper-free precision die-cast aluminum housing and top cap.
- Corrosion-resistant AISI 316 stainless steel post and top cap.
- Clear UV-stabilized, high-impact resistant diffuser.
- Custom molded, anti-aging gasket(s).
- Stainless steel external hardware.
- Internal specular reflector coated with 5-layers of PVD 99.98% pure aluminum providing >95% reflection.
- High-efficiency COB, combined with an optimized passive cooling system, provides a long LED life.
- IESNA Type V light distribution.

- Input voltage: 120-277 V (50 / 60 Hz), integral driver.
- Five optional finishes available. Add finish suffix to any part number for textured Black (BK-81), Iron gray (AN-96), Aluminum metallic (GR-94), White (WH-87), Iron rust (RB-10) when not standard.
- Consult factory for dimming options, marine-grade, custom finishes (please specify RAL color), and non-cataloged CCT (Kelvin) options including static colors.
- Consult factory for custom post height options.
- Anchor bolts available for bollards (ordered separately).
- Suitable for most coastal applications (stainless steel versions).
- Product meets Buy American Act requirements within ARRA.
- 5-year warranty.
- Marine Grade finish.
- Suitable for Natatorium applications.



FINISHES

- AN-96 / Iron gray / Textured
- BK-81 / Black / Textured
- INOX / Stainless steel / Matt
- GR-94 / Aluminum metallic / Textured
- WH-87 / White / Textured
- RB-10 / Iron rust / Textured



KHA
7' 2"



Scan Here for
Installation Instructions

Lumen Output	27K	3K	35K	4K	5K
Kha Slim 7'2"	450	482	514	546	592

14W Max Wattage

Revision 02
10/22

Order Guide - Kha Slim 7'2"



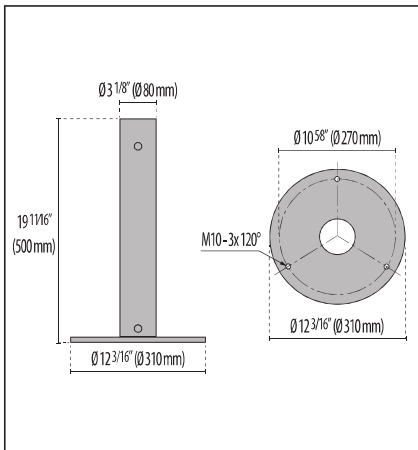
Order code example **KHA7-86-14-SS-3K-120-NA-HSS**

KHA7

Post Height	Wattage	Finish	Kelvin	Voltage	Controls	Accessories
86 86 inch Max XX Specify height must be below max	8 8 watt	SS Stainless Steel	27K 2700k	UNV 120-277V	NA Non Dimming	HSS House Side Shield
		AM Aluminum Metallic	3K 3000k			
	10 10 watt	IG Iron Gray	35K 3500k		ELV ELV Dimming	
		IR Iron Rust	4K 4000k			
	14 14 watt (max)	BK Textured Black	5K 5000k			
		WH Textured White	65K 6500k			
		CC Custom Color	RED Static Red			
		BLU Static Blue				
		GRN Static Green				
		XX Specify wattage must be below max				

INCLUDED ACCESSORIES

KHA SLIM 7'



Mounting Base