

V3095 Perimeter Luminaire



Application: The Vyv V3095 Perimeter Luminaire provides lighting for both individual and continuous runs in indoor recessed perimeter applications available for T-Grid and Flanged mounting.

Mode Switching: Use 'Antimicrobial+Light Mode' when both continuous antimicrobial action and illumination are needed and 'Enhanced Antimicrobial Mode,' which emits a higher dosage of Vyv's antimicrobial wavelengths, as an antimicrobial cleaning mode for when full illumination is not required. See installation instructions (INS-461) for wiring details.

Product Specifications

Lens: Microlinear frosted lens is standard.

Housing: The V3095 is constructed from an extruded aluminum housing with internal components made from die formed cold rolled steel.

Finish: White antimicrobial polyester powder coat standard.

Electrical: LEDs coupled with high efficiency drivers provide quality illumination. Fixtures supplied with 0-10V dimming down to 1% as standard. Other dimming options are available (Consult Factory).

LED: Patented Vyv LED package. The range of CCT (correlated color temperature) follows the color uniformity guidelines of the American National Standard regarding specifications for the chromaticity of solid-state lighting (SSL) products as per ANSI C78.377-2017.

Approvals: Fixtures are cETLus listed for Damp Location. EPA Est. 94839-RI-1. Covered by one or more of the following U.S. Patent Numbers: 9,333,274; 9,439,989; 9,713,223; 9,927,097; 10,357,582; 10,753,575



Ordering

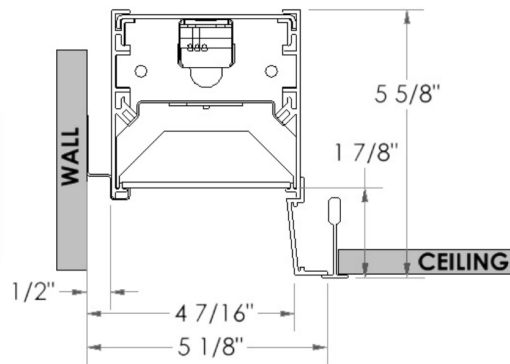
Project: _____ Date: _____
 Luminaire Type: _____ Approved By: _____
 Product Code: _____

Series	Mounting	Features	CCT	Size	Diffuser	Finish	Voltage
V3095	T T-Grid	N Dual Mode (Antimicrobial+Light Mode & Enhanced Antimicrobial Mode) W Antimicrobial +Light Mode	30 3000K 35 3500K 40 4000K	2 2' 3 3' 4 4' 5 5' 6 6' 7 7' 8 8' XX XX' (Specify Row Length)	MFL MFL Microlinear Frosted Lens	WHT White Antimicrobial Polyester Powder Coat CA Custom Colors (Consult Factory)	UNV
	FL Flanged						UNV 120/277V

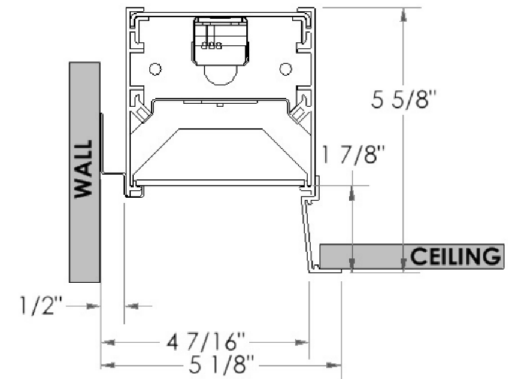
Options	
Wiring	
BP	In Line Fusing

Dimensions

Consult Installation instructions for exact dimensions.



T-GRID



FLANGED

(FIXTURE SUPPORTED
 BY THREADED ROD
 NOT INCLUDED/BY OTHERS)

Electrical

Input Frequency	50/60Hz
Power Factor	>.9
Control	On/Off via standard light switch Antimicrobial+Light Mode to Enhanced Antimicrobial Mode (optional) via low voltage switch or controls.

Performance

Watts/ft	17.5
Lumens/ft	1,078
Lumens/Watt	62

Some options may not be available in all combinations. All fixture configurations subject to final factory approval.

Vyv will work with your facility to customize a design for lighting and antimicrobial action. Vyv, Inc. reserves the right to upgrade and improve products without notice.

SPECIFICATIONS AND DATA SUBJECT TO CHANGE WITHOUT NOTICE

Updated August 1, 2022