

ZENITH LG LED

Architectural Outdoor



| | |
|-----------|------|
| PROJECT: | |
| TYPE: | |
| PO#: | QTY: |
| COMMENTS: | |

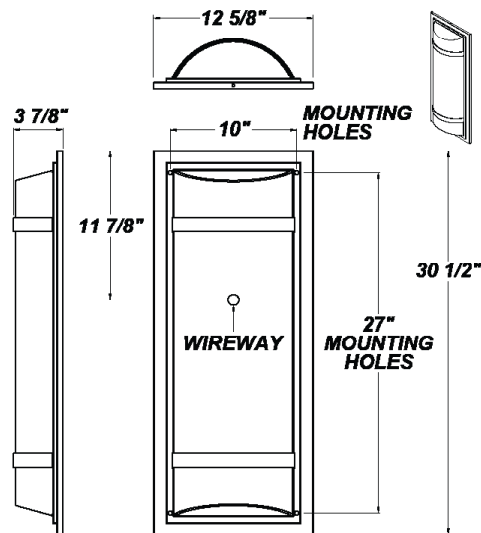


FEATURES

- 0-10V Dimming Driver
- ADA Compliant
- Aluminum Mounting Pan w/ High Reflectance White Powder Coat Finish
- Aluminum Trim w/ Matte Silver Powder Coat Finish
- CSA Listed Damp Location For Ceiling Mount
- CSA Listed Wet Location For Wall Mount
- IES Files Available
- Integral LED EM Driver Available (66.4W Maximum)
- LED Light Fixture
- Mounts Direct to 4" Junction Box w/ 4 Wall Anchors (By Others) (Not Included)
- Surge Protector
- Vandal Resistant
- White 75% DR Acrylic Lens

LINE DRAWING

LINE DRAWING NOT TO SCALE



FINISHES

| | | | | | |
|----------------|-----------------|----------------|--------------|------|---------------|
| Antique Copper | Antique Silver | Bronze Mist | Matte Silver | Sand | Swedish Steel |
| | | | | | |
| Textured Black | Textured Bronze | Textured White | | | |
| | | | | | |

For RAL Colors & Custom Match - Contact Teron Lighting Inc.

ZENITH LG LED

Architectural Outdoor



Fixture Core

| | |
|-----------|------|
| PROJECT: | |
| TYPE: | |
| PO#: | QTY: |
| COMMENTS: | |

| PRODUCT CODE | SOURCE/WATTAGE | VOLTAGE | DIMMING DRIVER |
|------------------|--|----------|----------------|
| ZENL - Zenith LG | L32.2-ZE700 - 32.2W @ 700mA 0-10V Dimming Driver L48.3-ZE1200 - 48.3W @ 1200mA 0-10V Dimming Driver L64.4-ZE1600 - 64.4W @ 1600mA 0-10V Dimming Driver | 120-277V | Not Applicable |
| ORDER INFO | | | |
| ZENL | L32.2-ZE700 | 120-277V | Not Applicable |

Example ^ (may not represent a manufacturable product)

Aesthetics & Options

| TRIM | FINISH | COLOR TEMP | OPTIONS |
|----------------|---|---|--|
| Not Applicable | AC - Antique Copper AS - Antique Silver BT - Bronze Mist SM - Matte Silver (Standard) SN - Sand SW - Swedish Steel TB - Textured Black BZ - Textured Bronze TW - Textured White | 40K - 4000K Color Temp. 35K - 3500K Color Temp. 30K - 3000K Color Temp. | EB - Integral Emergency Driver (Please Specify Voltage When Ordering) F - Fused MSI - Steinel HFLUM2-WR Internal Motion Sensor (120V / 277V Only) TP - Tamper Resistant Screws SPD - Surge Protection Device |
| ORDER INFO | | | |
| Not Applicable | AC | 40K | EB |

Example ^ (may not represent a manufacturable product)

| PROD | SOURCE | 30K SPECS | | | |
|------|--------|--|--|--|--|
| ZENL | L32.2 | <ul style="list-style-type: none"> • 30K - 3000K Color Temp. • 3215 LED Source Lumens • 99.8 LED Source Lumens Per Watt | | | |
| | L48.3 | <ul style="list-style-type: none"> • 30K - 3000K Color Temp. • 4474 LED Source Lumens • 92.6 LED Source Lumens Per Watt | | | |
| | L64.4 | <ul style="list-style-type: none"> • 30K - 3000K Color Temp. • 6152 LED Source Lumens • 95.5 LED Source Lumens Per Watt | | | |

| REPLACEMENT PART | PART NO | NOTES |
|---------------------------|---------|-------|
| White 75% DR Acrylic Lens | 3051260 | |

Don't see the configuration you are looking for?
Call us today at (513) 858-6004



TERONLIGHTING.COM
33 DONALD DR, FAIRFIELD, OH 45014
P: 513.858.6004 F: 513.858.6038
E: SALES@TERONLIGHT.COM



We reserve the right to revise the design components of any product due to parts availability or change in UL standards, without assuming any obligation or liability to modify any products previously manufactured, and without notice.