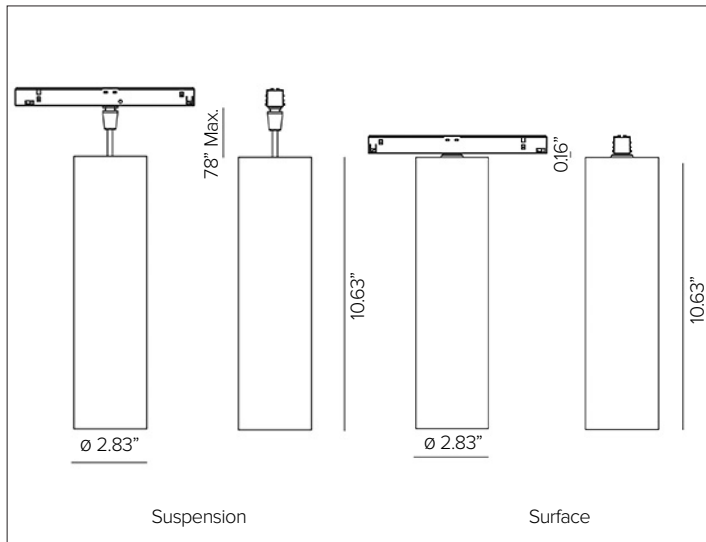


FORTYEIGHT LABEL 7 TUBE

Low Voltage LED Track Fixture



Surface version (left), Suspended version (right), Deep Black finish shown.



CONCEPT

Professional Low voltage LED fixture for direct lighting.

MECHANICAL CHARACTERISTICS

Dimensions 10.63"L x 2.83 Dia.

Materials Powder coated cylindrical machined aluminum body.

Finish ● Plaster White ● Deep Black

Power Connection To be completed with FORTYEIGHT MULTISYSTEM low voltage polarized track.

Functionality Tool-less installation, utilizing a mechanical fixture system that mounts to FORTYEIGHT MULTISYSTEM track system. **NOTE: Max of 4 connectors or 30ft of track per individual 96W power supply and/or 90W.** Can be used in combination with FORTYEIGHT fixture range to maximum of 90W per 96W, 48V driver.

Mounting FORTYEIGHT MULTISYSTEM track system, sold separately. **Surface version NOT compatible with FORTYEIGHT RECESSED DEEP TRIMLESS track.** Suspension is complete with 78"L multicore cable with length adjustment system, colored fabric cable supplied to match fixture color.

Weight 1.54lbs

Protection IP20

CERTIFICATIONS

cULus Class 2 Listed
 Tested in accordance with LM-79-08.
 Compliant for California installations.
 RoHS3 EU 215/863

WARRANTY

5 year limited warranty.

SUSTAINABILITY

Luminaire designed for disposal/recycling at end-of-life. Replaceable LED light source and control gear by a Targetti technician.

ELECTRICAL CHARACTERISTICS

Power Supply Remote 48V driver required, refer to FORTYEIGHT MULTISYSTEM track spec sheet.

Wattage 11W

Voltage 48V

Control 0-10V group fixture control. For individual fixture control DALI or wireless DALI/Casambi. For wireless bluetooth control via Casambi, use DALI fixture in combination with APP1-M-CO-9519 wireless control interface, refer to FORTYEIGHT MULTISYSTEM track specification sheet for detailed information.

SOURCE

High efficiency LED Chip on Board.

TM30	CCT (Nominal)	CRI	Rf	Rg	SDCM
	2700K	90	92	99	1.5
	3000K	90	92	101	1.5
	4000K	90	90	98	1.5

OPTIC

Optical system is dependent on beam angle. SP / FL versions comprised of metalized polycarbonate precision optics with opaque black silicone cut off ring. MWFL version comprised of convex faceted highly reflective anodized aluminum precision optic with opaque black silicone cut off ring.

Beam	SP 16°	FL 27°	MWFL 46°
Delivered Lumens	2700K 908Lm	941Lm	1089Lm
	3000K 945Lm	979Lm	1132Lm
	4000K 960Lm	995Lm	1150Lm

For 3500K lumen values use multiplier of 1.02 from 3000K.

Efficacy 103 Lm/W max. Refer to photometric graphs for specific values.

Lifetime L90/B10 >50,000hrs at max TA +25°C

Photobiological Classification Low risk photobiological safety RG1

FORTYEIGHT LABEL 7 TUBE

SPECIFICATION INFORMATION

48	LA	7								10
1	2	3	4	5	6	7	8	9	/ REQUIRED	

Ex: 48LA7SU10L1SP27PW

1 - PRODUCT CODE	2 - TYPE	3 - SIZE	4 - TYPE	5 - CONTROL	6 - WATTAGE	7 - OPTICS	8 - KELVIN	9 - FINISH
48 — FORTYEIGHT	LA — LABEL	7 — 2.83" Dia.	SF ^B — Surface SU — Suspended	10 — 0-10V DA ^A — DALI/Wireless Casambi	L1 — 11W	SP — SP 16° FL — FL 27° MW — MWFL 46°	27 — 2700K 30 — 3000K 35 — 3500K 40 — 4000K	PW — Plaster White DB — Deep Black

10 - TRACK

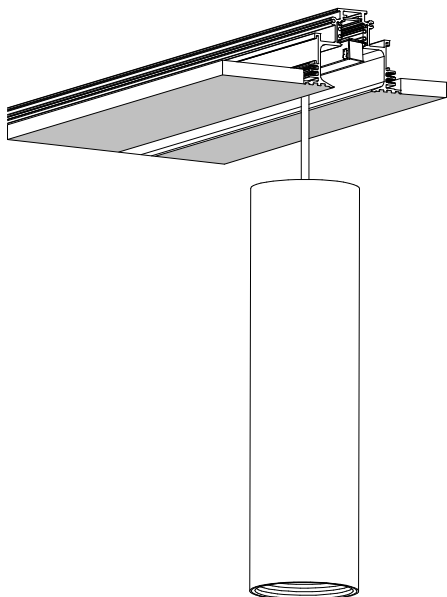
REQUIRED

To be completed with **FORTYEIGHT MULTISYSTEM TRACK RECESSED TRIMLESS DEEP** or **SURFACE / SUSPENSION**

^A For wireless bluetooth control via Casambi, use DALI fixture in combination with APPI-M-C0-9519 wireless control interface.
^B Not compatible with Recessed Deep Trimless Track.

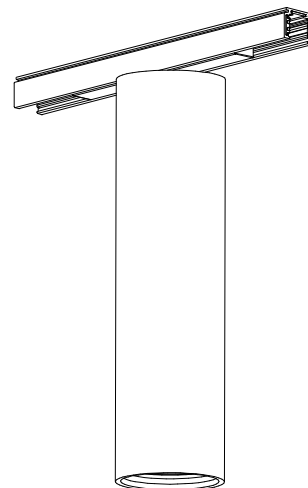
MOUNTING COMPATIBILITY

FORTYEIGHT RECESSED TRIMLESS DEEP TRACK shown with FORTYEIGHT LABEL 7 TUBE (SU) SUSPENSION fixture version.



FORTYEIGHT MULTISYSTEM SURFACE/SUSPENSION TRACK shown with FORTYEIGHT LABEL 7 TUBE (SF) SURFACE fixture version.

NOTE: (SF) Surface fixture version NOT compatible with FORTYEIGHT RECESSED TRIMLESS DEEP TRACK.



FORTYEIGHT LABEL 7 TUBE

PHOTOMETRY

SURFACE – SPOT

2700K		H(m)	D(m)	Emax(lx)
Ra90			16°	
Fixture Power	11W	1	0.28	7192
Source Flux	1360lm	2	0.56	1798
Fixture Flux	904lm	3	0.84	799
Efficacy	81lm/W	4	1.11	450
TS1621	Imax=5289cd/klm	Imax	7192cd	5
			1.39	288

3000K		H(m)	D(m)	Emax(lx)
Ra90			16°	
Fixture Power	11W	1	0.28	7489
Source Flux	1416lm	2	0.56	1872
Fixture Flux	941lm	3	0.84	832
Efficacy	84lm/W	4	1.11	468
TS1621	Imax=5289cd/klm	Imax	7489cd	5
			1.39	300

4000K		H(m)	D(m)	Emax(lx)
Ra90			16°	
Fixture Power	11W	1	0.28	7605
Source Flux	1438lm	2	0.56	1901
Fixture Flux	956lm	3	0.84	845
Efficacy	85lm/W	4	1.11	475
TS1621	Imax=5289cd/klm	Imax	7605cd	5
			1.39	304

SURFACE – FLOOD

2700K		H(m)	D(m)	Emax(lx)
Ra90			27°	
Fixture Power	11W	1	0.49	3453
Source Flux	1360lm	2	0.98	863
Fixture Flux	937lm	3	1.47	384
Efficacy	84lm/W	4	1.96	216
TS1622	Imax=2539cd/klm	Imax	3453cd	5
			2.45	138

3000K		H(m)	D(m)	Emax(lx)
Ra90			27°	
Fixture Power	11W	1	0.49	3595
Source Flux	1416lm	2	0.98	899
Fixture Flux	976lm	3	1.47	399
Efficacy	87lm/W	4	1.96	225
TS1622	Imax=2539cd/klm	Imax	3595cd	5
			2.45	144

4000K		H(m)	D(m)	Emax(lx)
Ra90			27°	
Fixture Power	11W	1	0.49	3651
Source Flux	1438lm	2	0.98	913
Fixture Flux	991lm	3	1.47	406
Efficacy	88lm/W	4	1.96	228
TS1622	Imax=2539cd/klm	Imax	3651cd	5
			2.45	146

SURFACE – MEDIUM WIDE FLOOD

2700K		H(m)	D(m)	Emax(lx)
Ra90			46°	
Fixture Power	11W	1	0.85	2001
Source Flux	1440lm	2	1.70	500
Fixture Flux	1085lm	3	2.55	222
Efficacy	97lm/W	4	3.40	125
TS1623	Imax=1390cd/klm	Imax	2002cd	5
			4.25	80

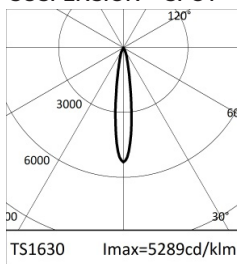
3000K		H(m)	D(m)	Emax(lx)
Ra90			46°	
Fixture Power	11W	1	0.85	2082
Source Flux	1498lm	2	1.70	521
Fixture Flux	1128lm	3	2.55	231
Efficacy	101lm/W	4	3.40	130
TS1623	Imax=1390cd/klm	Imax	2082cd	5
			4.25	83

4000K		H(m)	D(m)	Emax(lx)
Ra90			46°	
Fixture Power	11W	1	0.85	2114
Source Flux	1521lm	2	1.70	528
Fixture Flux	1146lm	3	2.55	235
Efficacy	102lm/W	4	3.40	132
TS1623	Imax=1390cd/klm	Imax	2114cd	5
			4.25	85

FORTYEIGHT LABEL 7 TUBE

PHOTOMETRY

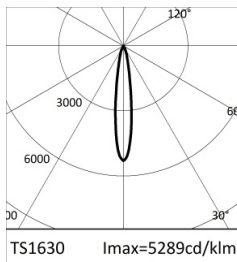
SUSPENSION – SPOT



2700K		H(m)	D(m)	Emax(lx)
Ra90			16°	
Fixture Power	11W	1	0.28	7224
Source Flux	1366lm	2	0.56	1806
Fixture Flux	908lm	3	0.84	803
Efficacy	81lm/W	4	1.11	452
TS1630	Imax=5289cd/klm	Imax	7224cd	5
			1.39	289

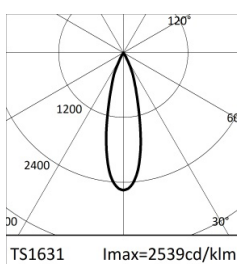


3000K		H(m)	D(m)	Emax(lx)
Ra90			16°	
Fixture Power	11W	1	0.28	7515
Source Flux	1421lm	2	0.56	1879
Fixture Flux	945lm	3	0.84	835
Efficacy	84lm/W	4	1.11	470
TS1630	Imax=5289cd/klm	Imax	7515cd	5
			1.39	301

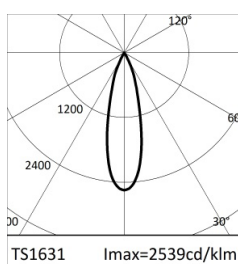


4000K		H(m)	D(m)	Emax(lx)
Ra90			16°	
Fixture Power	11W	1	0.28	7637
Source Flux	1444lm	2	0.56	1909
Fixture Flux	960lm	3	0.84	849
Efficacy	86lm/W	4	1.11	477
TS1630	Imax=5289cd/klm	Imax	7637cd	5
			1.39	305

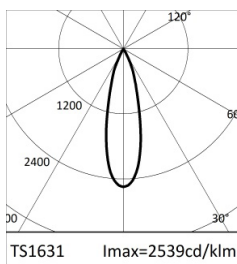
SUSPENSION – FLOOD



2700K		H(m)	D(m)	Emax(lx)
Ra90			27°	
Fixture Power	11W	1	0.49	3468
Source Flux	1366lm	2	0.98	867
Fixture Flux	941lm	3	1.47	385
Efficacy	84lm/W	4	1.96	217
TS1631	Imax=2539cd/klm	Imax	3468cd	5
			2.45	139

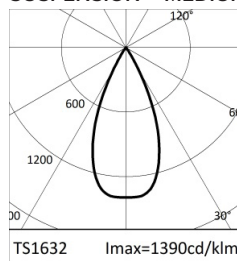


3000K		H(m)	D(m)	Emax(lx)
Ra90			27°	
Fixture Power	11W	1	0.49	3608
Source Flux	1421lm	2	0.98	902
Fixture Flux	979lm	3	1.47	401
Efficacy	87lm/W	4	1.96	226
TS1631	Imax=2539cd/klm	Imax	3608cd	5
			2.45	144



4000K		H(m)	D(m)	Emax(lx)
Ra90			27°	
Fixture Power	11W	1	0.49	3666
Source Flux	1444lm	2	0.98	917
Fixture Flux	995lm	3	1.47	407
Efficacy	89lm/W	4	1.96	229
TS1631	Imax=2539cd/klm	Imax	3666cd	5
			2.45	147

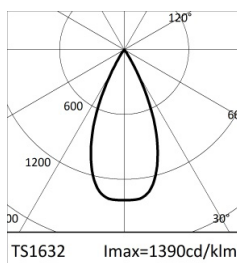
SUSPENSION – MEDIUM WIDE FLOOD



2700K		H(m)	D(m)	Emax(lx)
Ra90			46°	
Fixture Power	11W	1	0.85	2010
Source Flux	1446lm	2	1.70	502
Fixture Flux	1089lm	3	2.55	223
Efficacy	97lm/W	4	3.40	126
TS1632	Imax=1390cd/klm	Imax	2010cd	5
			4.25	80



3000K		H(m)	D(m)	Emax(lx)
Ra90			46°	
Fixture Power	11W	1	0.85	2089
Source Flux	1503lm	2	1.70	522
Fixture Flux	1132lm	3	2.55	232
Efficacy	101lm/W	4	3.40	131
TS1632	Imax=1390cd/klm	Imax	2089cd	5
			4.25	84



4000K		H(m)	D(m)	Emax(lx)
Ra90			46°	
Fixture Power	11W	1	0.85	2122
Source Flux	1527lm	2	1.70	531
Fixture Flux	1150lm	3	2.55	236
Efficacy	103lm/W	4	3.40	133
TS1632	Imax=1390cd/klm	Imax	2123cd	5
			4.25	85