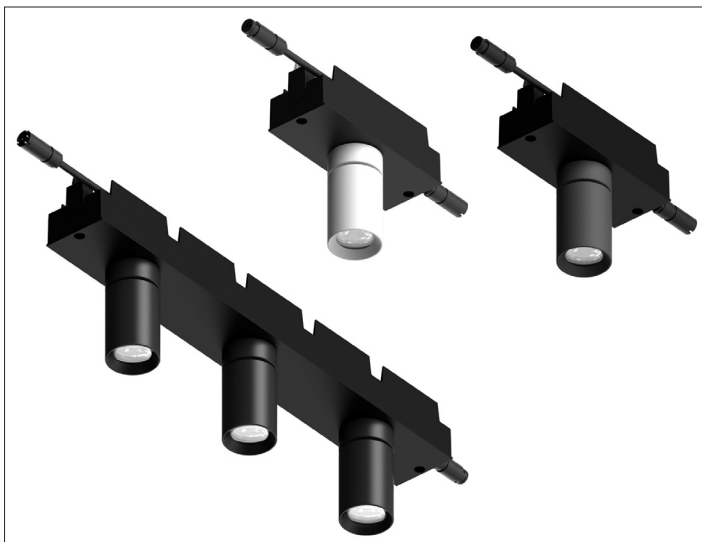
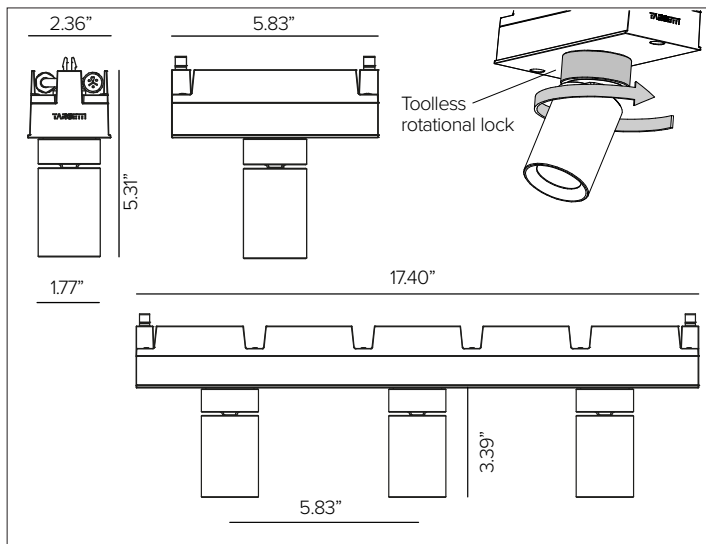


# IVY PROJECTOR

## Adjustable LED Light Module



IVY Single Cylinder Projector in Plaster White and Ferrite finishes.  
IVY Multiple Cylinder Projector in Black Anodized finish.



### CONCEPT

Professional adjustable low voltage cylinder projector luminaire for indoor/outdoor modular light system allowing for maximum application flexibility.  
*Designed in collaboration with Stefano Boeri Interiors as product design consultant.*

### MECHANICAL CHARACTERISTICS

<b>Dimensions</b>	Ø 1.77" Dia.
<b>Materials</b>	Cylindrical aluminum CNC machined body and joints protected with 15µ black anodization. Tempered extra clear front glass.
<b>Finish</b>	● Plaster White ● Black Anodized ● Ferrite Dark Grey
<b>Power Connection</b>	Fixtures are manufactured complete with IN/OUT connections with micro male/female IP65 connectors. System interconnections require IVY jumper cable connections, see available options.
<b>Functionality</b>	Optical unit adjusts 90° on the vertical plane and 355° on the horizontal plane with toolless mechanical rotation locking system and friction aiming.
<b>Mounting</b>	Fast fixture installation using anodized aluminum clips into profile. Fixture positioning along profile with mechanical locking using hex 3mm key.
<b>Weight</b>	2.43lbs
<b>Protection</b>	IP65

### CERTIFICATIONS

cULus Class 2 Listed.  
Tested in accordance with LM-79-08.  
Compliant with California energy regulations.  
RoHS3 EU 215/863

### WARRANTY

5 year limited warranty.

### SUSTAINABILITY

Luminaire designed for disposal/recycling at end-of-life. Replaceable LED light source and control gear by a Targetti technician.

### ELECTRICAL CHARACTERISTICS

<b>Power Supply</b>	Remote power supply options available.
<b>Wattage</b>	7W Single / 21W Multiple
<b>Voltage</b>	24VDC
<b>Control</b>	0-10V wireless control from integral power feed/dimming control box for group fixture dimming control <a href="#">QR</a> wireless Bluetooth control through Casambi app interface for individual fixture dimming control. Refer to <a href="#">Targetti LMS (Light Management System)</a> for detailed information. Product dimming control requires factory setup of fixture zone identification prior to shipment. Project layout drawings required.

### SOURCE

LED Engine made of linear LED boards.

TM30	CCT (Nominal)	CRI	Rf	Rg	SDCM
	2700K	90	92	99	3
	3000K	90	92	101	3
	3500K	90	91	100	3
	4000K	90	90	98	3

### OPTIC

Optic equipped with an acrylic collimator lens and holographic diffusive lens.

Beam	SP 21°	FL 37°	WFL 53°
<b>Delivered Lumens</b>	<b>2700K</b> 535Lm	579Lm	490Lm
<i>Data represents single luminaire only. Refer to photometry section for all fixture variations.</i>	<b>3000K</b> 565Lm	623Lm	528Lm
	<b>3500K</b> 589Lm	643Lm	544Lm
	<b>4000K</b> 612Lm	662Lm	560Lm
<b>Efficacy</b>	100Lm/W max. Refer to photometric graphs for specific values.		
<b>Lifetime</b>	L91/B10 >30,000hrs at max TA +25°C L88/B10 >50,000hrs at max TA +25°C L84/B10 >80,000hrs at max TA +25°C L81/B10 >100,000hrs at max TA +25°C		
<b>Photobiological Classification</b>	Low risk photobiological safety RG1		

# IVY PROJECTOR

## SPECIFICATION INFORMATION



Ex: IVSAPWLISP30

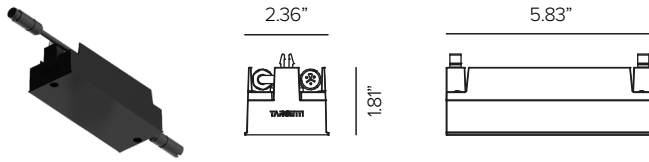
1 - PRODUCT CODE	2 - TYPE	3 - FINISH	4 - WATTAGE	5 - OPTICS	6 - KELVIN
IV — IVY	SA <sup>A</sup> — Single Adjustable	PW — Plaster White	L1 — 7W	SP — SP 21°	27 — 2700K
	MA <sup>B</sup> — Multiple Adjustable	BA — Black Anodized FE — Ferrite Dark Grey	L2 — 21W	FL — FL 37° WF — WFL 53°	30 — 3000K 35 — 3500K 40 — 4000K

7 - POWER FEED / CONTROL BOX	8 - ELECTRICAL	9 - POWER SUPPLY	10 - CONTROLLER	11 - PROFILE
<a href="#">0-10V Dimming Control Box</a> <i>See section for details</i> <a href="#">Bluetooth Casambi Control Box</a> <i>See section for details</i>	<a href="#">Jumper Connection Cable</a> <i>See section for details</i>	<a href="#">Power Supply</a> <i>See section for details</i>	<a href="#">Casambi Xpress Remote Controller</a> <i>See section for details</i>	<b>REQUIRED</b> See <i>IVY PROFILE</i> spec sheet for specification information. <a href="#">SURFACE</a> or <a href="#">RECESSED</a> .

<sup>A</sup> Available only in 7W  
<sup>B</sup> Available only in 21W

# IVY PROJECTOR

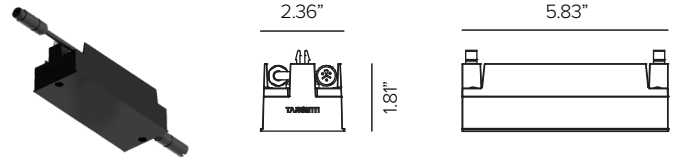
## 7 – POWER FEED / CONTROL BOX (REQUIRED)



IVY 0-10V power feed and dimming control box, for group fixture control.

Finish  Black

Part No. **1US418010**



IVY wireless Bluetooth Casambi power feed and dimming control box, for individual fixture control

Finish  Black

Part No. **1US4180CA**

## 8 – ELECTRICAL (OPTIONAL DEPENDANT ON FIXTURE PLACEMENT)



IVY jumper connection cable.

Length 4ft 8ft 10ft

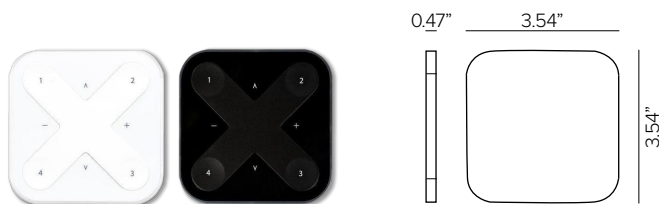
Part No. **1US4181 1US4182 1US4183**

## 9 - POWER SUPPLY (REQUIRED)

ENCLOSURE								
Part No.	Wattage	Control	Dim Range	Rating	In / Out Voltage	Certification	Dimensions (Enclosure)	Description
<b>PS057</b>	40W	VIA INTEGRAL POWER BOX	0.1%	NEMA3R	120-277V / 24V	UL CLASS 2	6.3" x 10.79" x 2.17"	MEAN WELL HLG ELECTRONIC DRIVER.
<b>PS058</b>	60W	VIA INTEGRAL POWER BOX	0.1%	NEMA3R	120-277V / 24V	UL CLASS 2	6.3" x 10.79" x 2.17"	MEAN WELL HLG ELECTRONIC DRIVER.
<b>PS059</b>	96W	VIA INTEGRAL POWER BOX	0.1%	NEMA3R	120-277V / 24V	UL CLASS 2	6.3" x 10.79" x 2.17"	MEAN WELL HLG ELECTRONIC DRIVER.

## 10 - CONTROLLER (OPTIONAL)

**COMPATIBLE WITH WIRELESS BLUE TOOTH CASAMBI VERSION ONLY FOR INDIVIDUAL FIXTURE CONTROL.**



Casambi Xpress remote controller, indoor mounted only. Four programmable presets. CR2430 battery (Included). **For wireless blue tooth Casambi control only.**

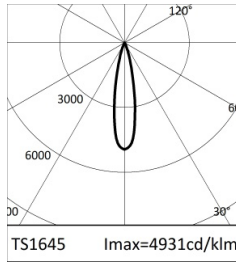
Finish  White  Black

Part No. **SWITCH26 SWITCH25**

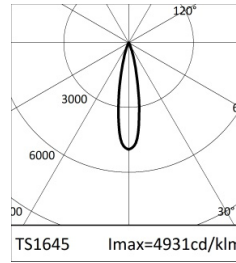
# IVY PROJECTOR

## PHOTOMETRY

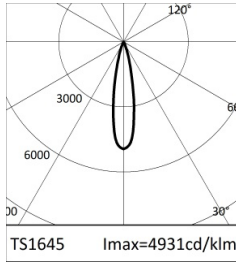
### SPOT



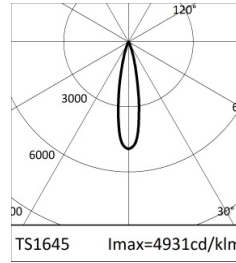
2700K		H(m)	D(m)	Emax(lx)		
Ra90			21°			
Fixture Power	7W	1	0.38	3126		
Source Flux	634lm	2	0.75	782		
Fixture Flux	535lm	3	1.13	347		
Efficacy	76lm/W	4	1.51	195		
TS1645	Imax=4931cd/klm	Imax	3126cd	5	1.89	125



3000K		H(m)	D(m)	Emax(lx)		
Ra90			21°			
Fixture Power	7W	1	0.38	3304		
Source Flux	670lm	2	0.75	826		
Fixture Flux	565lm	3	1.13	367		
Efficacy	81lm/W	4	1.51	206		
TS1645	Imax=4931cd/klm	Imax	3304cd	5	1.89	132



3500K		H(m)	D(m)	Emax(lx)		
Ra90			21°			
Fixture Power	7W	1	0.38	3442		
Source Flux	698lm	2	0.75	860		
Fixture Flux	589lm	3	1.13	382		
Efficacy	84lm/W	4	1.51	215		
TS1645	Imax=4931cd/klm	Imax	3442cd	5	1.89	138

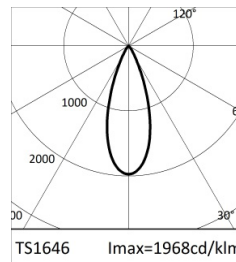


4000K		H(m)	D(m)	Emax(lx)		
Ra90			21°			
Fixture Power	7W	1	0.38	3580		
Source Flux	726lm	2	0.75	895		
Fixture Flux	612lm	3	1.13	398		
Efficacy	87lm/W	4	1.51	224		
TS1645	Imax=4931cd/klm	Imax	3580cd	5	1.89	143

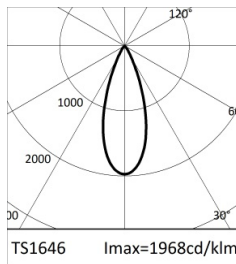
### FLOOD



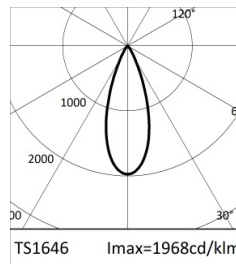
2700K		H(m)	D(m)	Emax(lx)		
Ra90			37°			
Fixture Power	7W	1	0.66	1368		
Source Flux	695lm	2	1.33	342		
Fixture Flux	579lm	3	1.99	152		
Efficacy	88lm/W	4	2.65	85		
TS1646	Imax=1968cd/klm	Imax	1368cd	5	3.32	55



3000K		H(m)	D(m)	Emax(lx)		
Ra90			37°			
Fixture Power	7W	1	0.66	1472		
Source Flux	748lm	2	1.33	368		
Fixture Flux	623lm	3	1.99	164		
Efficacy	94lm/W	4	2.65	92		
TS1646	Imax=1968cd/klm	Imax	1472cd	5	3.32	59



3500K		H(m)	D(m)	Emax(lx)		
Ra90			37°			
Fixture Power	7W	1	0.66	1518		
Source Flux	771lm	2	1.33	379		
Fixture Flux	643lm	3	1.99	169		
Efficacy	97lm/W	4	2.65	95		
TS1646	Imax=1968cd/klm	Imax	1518cd	5	3.32	61

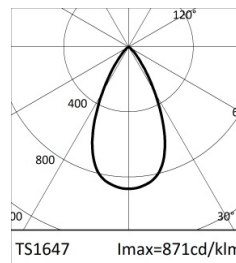


4000K		H(m)	D(m)	Emax(lx)		
Ra90			37°			
Fixture Power	7W	1	0.66	1563		
Source Flux	794lm	2	1.33	391		
Fixture Flux	662lm	3	1.99	174		
Efficacy	100lm/W	4	2.65	98		
TS1646	Imax=1968cd/klm	Imax	1563cd	5	3.32	63

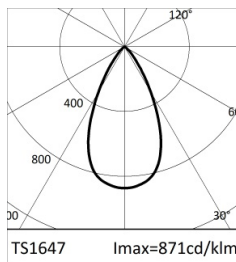
### WIDE FLOOD



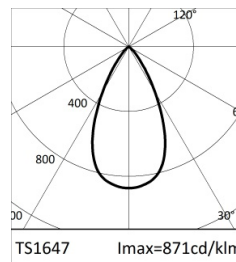
2700K		H(m)	D(m)	Emax(lx)		
Ra90			53°			
Fixture Power	7W	1	1.00	605		
Source Flux	695lm	2	2.00	151		
Fixture Flux	490lm	3	3.01	67		
Efficacy	74lm/W	4	4.01	38		
TS1647	Imax=871cd/klm	Imax	605cd	5	5.01	24



3000K		H(m)	D(m)	Emax(lx)		
Ra90			53°			
Fixture Power	7W	1	1.00	651		
Source Flux	748lm	2	2.00	163		
Fixture Flux	528lm	3	3.01	72		
Efficacy	80lm/W	4	4.01	41		
TS1647	Imax=871cd/klm	Imax	651cd	5	5.01	26



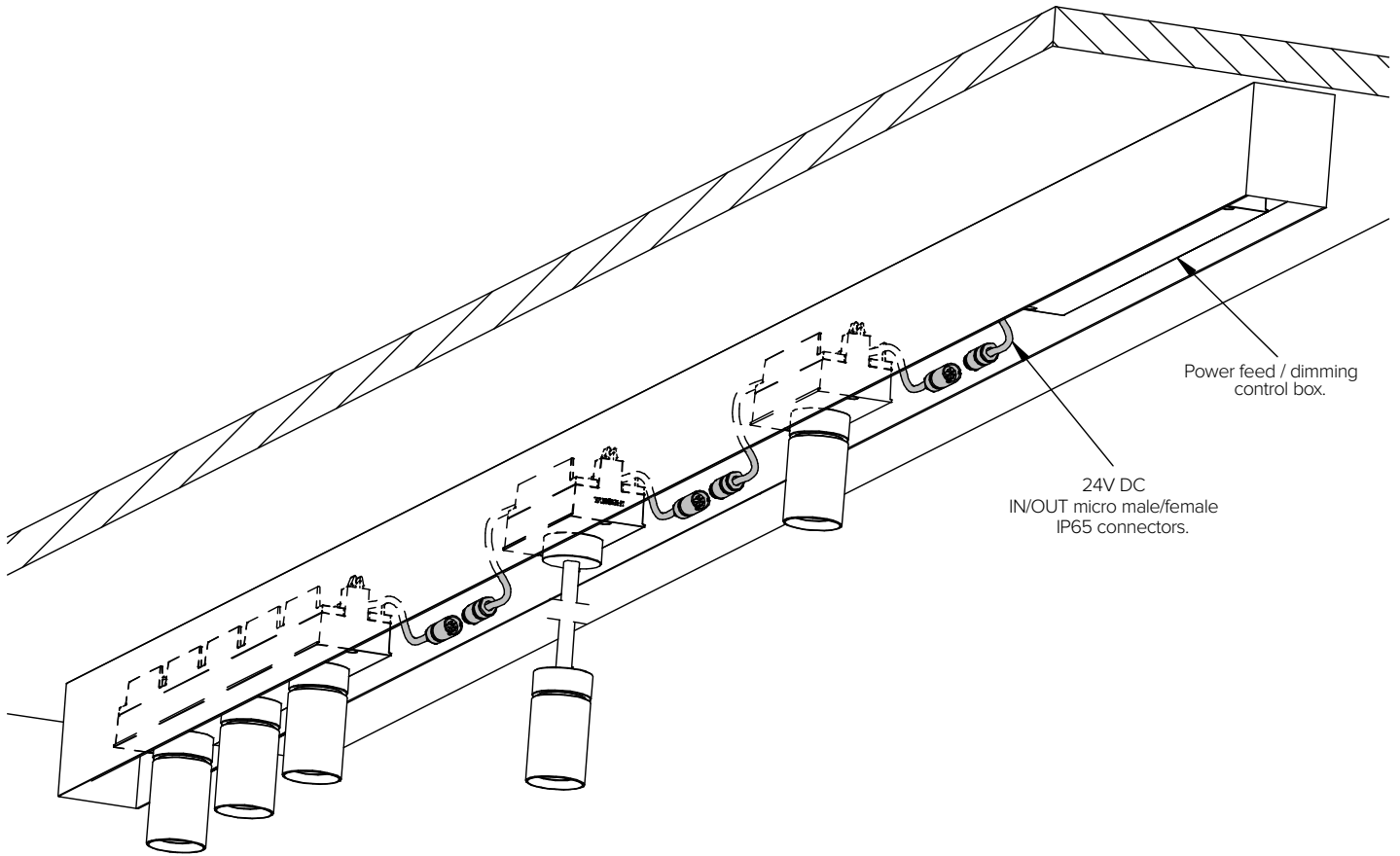
3500K		H(m)	D(m)	Emax(lx)		
Ra90			53°			
Fixture Power	7W	1	1.00	671		
Source Flux	771lm	2	2.00	168		
Fixture Flux	544lm	3	3.01	75		
Efficacy	82lm/W	4	4.01	42		
TS1647	Imax=871cd/klm	Imax	671cd	5	5.01	27



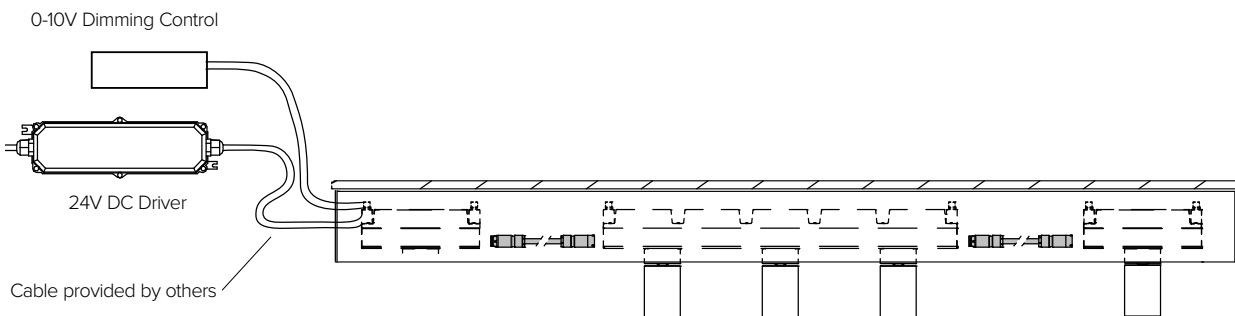
4000K		H(m)	D(m)	Emax(lx)		
Ra90			53°			
Fixture Power	7W	1	1.00	691		
Source Flux	794lm	2	2.00	173		
Fixture Flux	560lm	3	3.01	77		
Efficacy	85lm/W	4	4.01	43		
TS1647	Imax=871cd/klm	Imax	691cd	5	5.01	28

# IVY PROJECTOR

## INSTALLATION DIAGRAM



## WIRING DIAGRAM



# IVY PROJECTOR

## CONTROL SYSTEM

Controlling light has never been easier. Targetti [LMS \(Light Management System\)](#) with Control by Casambi was created to make it possible to control light via Bluetooth Low Energy without the use of any special cables, ensuring system operational readiness. This wireless technology is compatible with all modern smart devices: smartphones, tablets and even smartwatches. Targetti fixtures are equipped with a special interface that allows them to communicate with each other to create a remotely controllable "smart" network.

The advantages are boundless. The possibility for users to interact with lighting – varying intensity, tone and shape in complete freedom and autonomy according to their needs. The design approach known as Human Centric Lighting that places people at the center of lighting projects.

Flexible and easy to use, suitable for managing all types of simple to more complex systems, LMS is a future-oriented system that can be constantly updated because it can be used with a simple application that can be downloaded onto a mobile device to manage the entire system in wireless mode.

## INSTALLATION SEQUENCE

