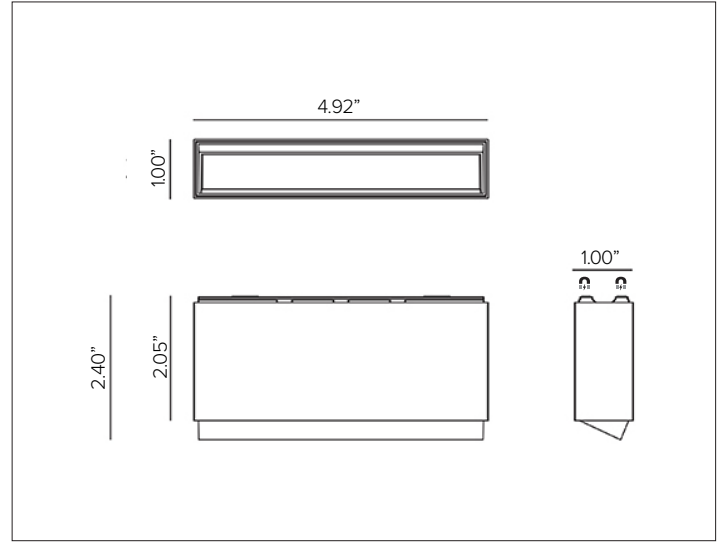


# OZ 48V SMALL WALL WASHER

## Magnet Mounted Modular Light System



OZ 48V SMALL WALL WASHER. Top to bottom, shown in shown in Deep Black and Plaster White finishes.



### CONCEPT

Professional magnet mounted low voltage modular light system allowing for maximum application flexibility.

### MECHANICAL CHARACTERISTICS

<b>Dimensions</b>	1"W X 2"H Nominal
<b>Materials</b>	Painted die-cast aluminum body.
<b>Finish</b>	● Plaster White ● Deep Black
<b>Power Connection</b>	Magnetized electrical non-polarized coupling system.
<b>Mounting</b>	Simple magnetized coupling system that mounts directly to OZ 48V TRACK. Provides an easy installation for fixture field mounting and reconfigurations. This modular system meets seismic requirements; no extra security is required.
<b>Weight</b>	0.33lbs
<b>Protection</b>	IP20

### CERTIFICATIONS

cULus Class 2 Location Listed.  
 Tested in accordance with LM-79-08.  
 Compliant with California energy regulations.  
 RoHS3 EU 215/863

### WARRANTY

5 year limited warranty.

### ELECTRICAL CHARACTERISTICS

<b>Power Supply</b>	Remote power supply options available.
<b>Wattage</b>	10W
<b>Voltage</b>	48V
<b>Control</b>	0-10V dimmable through remote power / digital dimming interface for group fixture control <u>OR</u> wireless bluetooth control through Casambi app interface for individual fixture and/or optical DBS beam control. Refer to <a href="#">Targetti LMS (Light Management System)</a> for detailed information.

### SOURCE

High efficiency LED emitter.

TM30	CCT (Nominal)	CRI	Rf	Rg	SDCM
	2700K	90	87.6	103.9	2
	3000K	90	89.3	104.3	2
	3500K	90	91.4	103.9	2
	4000K	90	90.9	101.1	2

### OPTIC

A high reflectance anodized aluminum reflector with holographic diffuser filter and black polycarbonate frame.



<b>Delivered Lumens</b>	<b>2700K</b>	420Lm
	<b>3000K</b>	442Lm
	<b>3500K</b>	456Lm
	<b>4000K</b>	476Lm
<b>Efficacy</b>	49Lm/W max. Refer to photometric graphs for specific values.	
<b>Lifetime</b>	L80/B10 >60,000hrs at max TA +25°C	
<b>Photobiological Classification</b>	Low risk photobiological safety RG1	

# OZ 48V SMALL WALL WASHER

## SPECIFICATION INFORMATION



1 - PRODUCT CODE	2 - TYPE	3 - CONTROL	4 - FINISH	5 - WATTAGE	6 - KELVIN
<b>OZ</b> — OZ 48V	<b>SWW</b> — Small Wall Washer	<b>D</b> — 0-10V Digital Dim <b>C</b> — Casambi Wireless Bluetooth	<b>PW</b> — Plaster White <b>DB</b> — Deep Black <b>RAL</b> — <a href="#">Custom RAL</a>	<b>L1</b> — 10W	<b>27</b> — 2700K <b>30</b> — 3000K <b>35</b> — 3500K <b>40</b> — 4000K

7 - RAIL & DRIVER	8 - PROFILE
<p><b>REQUIRED</b></p> <p>See <a href="#">OZ 48V 0-10V DIGITAL DIM TRACK</a> spec sheet for specification information.</p> <p>See <a href="#">OZ 48V WIRELESS TRACK</a> spec sheet for specification information.</p>	<p><b>OPTIONAL</b></p> <p>See OZ 48V <i>PROFILE</i> spec sheets for specification information. <a href="#">SURFACE/</a> <a href="#">SUSPENSION</a> or <a href="#">RECESSED</a>.</p>

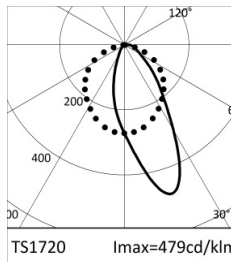
# OZ 48V SMALL WALL WASHER

## PHOTOMETRY



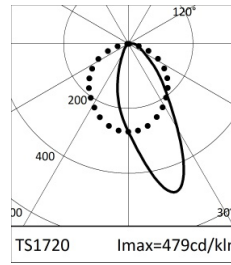
2700K		H(m)	D1(m)	D2(m)	E <sub>max</sub> (lx)		
Ra90			37°	82°			
Fixture Power	10W	1	0.73	1.81	315		
Source Flux	748lm	2	1.45	3.63	79		
Fixture Flux	420lm	3	2.18	5.44	35		
Efficacy	43lm/W	4	2.91	7.25	20		
TS1720	I <sub>max</sub> =479cd/klm	I <sub>max</sub>	358cd	5	3.63	9.06	13

Maximum UGR = 33.7 (based on actual lumens)



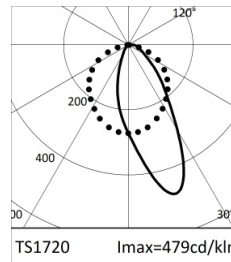
3500K		H(m)	D1(m)	D2(m)	E <sub>max</sub> (lx)		
Ra90			37°	82°			
Fixture Power	10W	1	0.73	1.81	342		
Source Flux	812lm	2	1.45	3.63	86		
Fixture Flux	456lm	3	2.18	5.44	38		
Efficacy	47lm/W	4	2.91	7.25	21		
TS1720	I <sub>max</sub> =479cd/klm	I <sub>max</sub>	389cd	5	3.63	9.06	14

Maximum UGR = 34.0 (based on actual lumens)



3000K		H(m)	D1(m)	D2(m)	E <sub>max</sub> (lx)		
Ra90			37°	82°			
Fixture Power	10W	1	0.73	1.81	332		
Source Flux	788lm	2	1.45	3.63	83		
Fixture Flux	442lm	3	2.18	5.44	37		
Efficacy	46lm/W	4	2.91	7.25	21		
TS1720	I <sub>max</sub> =479cd/klm	I <sub>max</sub>	378cd	5	3.63	9.06	13

Maximum UGR = 33.9 (based on actual lumens)



4000K		H(m)	D1(m)	D2(m)	E <sub>max</sub> (lx)		
Ra90			37°	82°			
Fixture Power	10W	1	0.73	1.81	357		
Source Flux	848lm	2	1.45	3.63	89		
Fixture Flux	476lm	3	2.18	5.44	40		
Efficacy	49lm/W	4	2.91	7.25	22		
TS1720	I <sub>max</sub> =479cd/klm	I <sub>max</sub>	406cd	5	3.63	9.06	14

Maximum UGR = 34.1 (based on actual lumens)

# OZ 48V SMALL WALL WASHER

## CONTROL SYSTEM

Controlling light has never been easier. Targetti [LMS \(Light Management System\)](#) with Control by Casambi was created to make it possible to control light via Bluetooth Low Energy without the use of any special cables, ensuring system operational readiness. This wireless technology is compatible with all modern smart devices: smartphones, tablets and even smartwatches. Targetti fixtures are equipped with a special interface that allows them to communicate with each other to create a remotely controllable "smart" network.

The advantages are boundless. The possibility for users to interact with lighting – varying intensity, tone and shape in complete freedom and autonomy according to their needs. The design approach known as Human Centric Lighting that places people at the center of lighting projects.

Flexible and easy to use, suitable for managing all types of simple to more complex systems, LMS is a future-oriented system that can be constantly updated because it can be used with a simple application that can be downloaded onto a mobile device to manage the entire system in wireless mode.

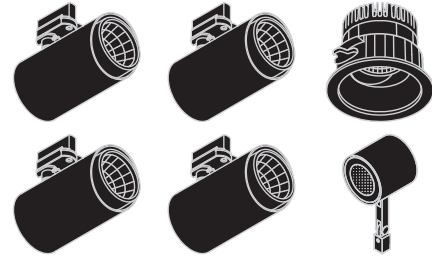
## INSTALLATION SEQUENCE

1

Choose Targetti fixtures by opting for the Targetti Casambi Ready package or Casambi accessory components



Single



Groups

2

Download the Casambi iOS or Android App depending on the device used

Unit control

3

Launch the App: the fixtures in operation will be detected automatically

4

Create one or two networks depending on the characteristics of the environment

5

Create groups of devices as needed

6

Program scenes and/or sequences.

7

Set the level of network sharing

