



4" 1500LM ADJ PORLA LED DOWNLIGHT

PRODUCT DESCRIPTION

The 4" Porla recessed led downlight has integral driver in a remote driver box. Features in adjustable head with 1500lm. Five CCT selectable. Flexibility to switch color temperature during installation with the slide switch located on the cable. Reflector optic design. Ideal for a variety of applications for both residential and commercial settings.

FEATURE

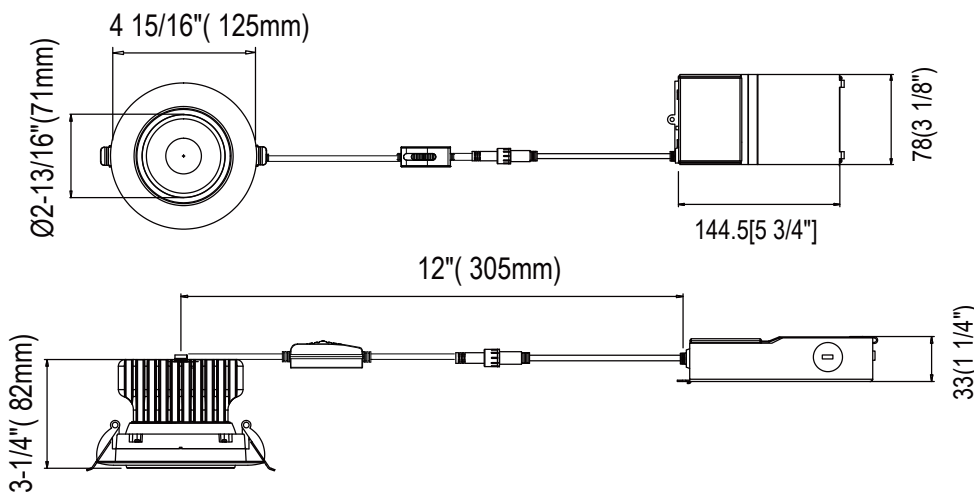
- Five CCT selectable
- Type IC rated-no housing needed
- Aluminum construction
- Head is adjustable
- FT6 cable is standard

ELECTRICAL SYSTEM

- Input Voltage: 120V or 120-277V, 50/60Hz
- Triac dimming is standard; 0-10V is optional
- Minimum Ambient -20°C, Maximum Ambient is 40°C
- Power Factor: > 0.9 at full load
- Total Harmonic Distortion: < 20% at full load

SPECIFICATION

Triac and 0-10V Dimming



PERFORMANCE

CRI

90

CCT SELECTABLE

2700K, 3000K, 3500K, 4000K, 5000K

Dimming

Triac dimming is standard;
0-10V is optional

Projected Lifetime

L70 - 50,000 Hours

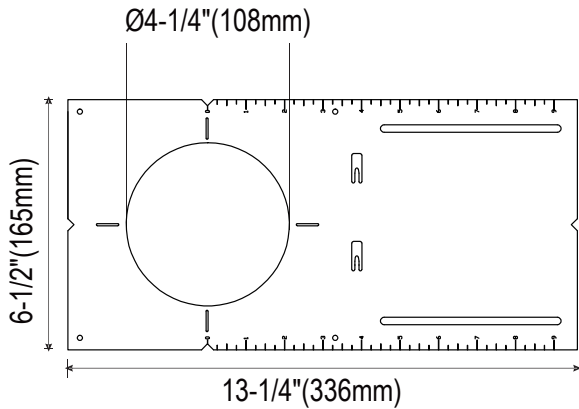
Working Temperature

-4-104°F (-20-40°C)

Certifications

- cETLus conforms to UL Std. 1598 Cert. to CSA Std. C22.2 No.250.0
- Suitable for wet locations
- IC rated
- RoHS compliant
- Warranty 5 years



POR04-ADJ-RIP1


ORDERING INFORMATION

POLAR DOWNLIGHT MODULE

Example for downlight module: **POR04-ADJ-R-15LM-90-MWH**

SERIES	SIZE	ADJUSTABLE	SHAPE	LUMENS/CRI	TRIM FINISH	DRIVER
POR	04 - 4"	ADJ - Adjustable	R - Round	15LM-90 - 1500lm/90CRI	MWH - Matte White MBK - Matte Black	POR04-18W-4 - 1500lm Triac Dimmable Driver POR04-18W-1 - 1500lm 0-10V Dimmable Driver

ROUGH-IN PLATE


POR04-ADJ-RIP1

New construction pre-mounting plate opening $\text{Ø}4\text{-}1/4"$ (108mm)

FT6 EXTENSION CABLE



FT6 Extension Cable

POR-EXC6-FT6

6 feet cable

POR-EXC10-FT6

10 feet cable

POR-EXC20-FT6

20 feet cable

Notice:

- * 2700K, 3000K, 3500K, 4000K, 5000K selectable. 3000K is default setting.
- * Custom finish color is available for trim and additional charge will apply for custom finish.

PERFORMANCE DATA

LUMEN OUTPUT

Lumen values are measured by third party certified laboratories performed in accordance with IESNA LM-79-08 as well as Lighting Facts listed.

Size	4 Inch ADJ
Wattage	18W
Lumen	1500lm@4000K
CCT	2700K/3000K/3500K/4000K/5000K Selectable
Beam Angle	38 degree
CRI	90
Dimming	Triac or 0-10V dimming
Cut Out	Ø4-1/4" (108mm)



Warranty

Five year limited warranty.

Note:

Specifications subject to change without notice.