

LS LED GARAGE LIGHT



PRODUCT DESCRIPTION

The LS series garage lights are the high-performance solution for the most demanding applications within a patented air cooling design. With an expected service life of 70,000 hours and an easy-install design, it provides an affordable initial cost and low total cost of ownership. With high lumen packages and precision refractive optics, the LS series can meet superior illumination performance requirements.

FEATURES

- 11% uplight
- Superior Low-glare Illumination
- Performance up to 136LPW
- Sensor and EBU available
- With junction box, Easy for surface or pendant mount.

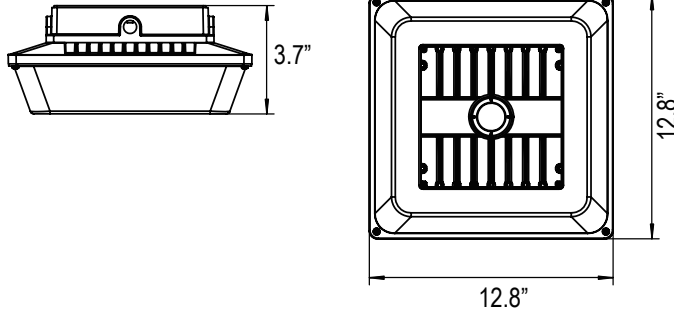
ELECTRICAL SYSTEM

- Input Voltage: 120-277VAC, 347/480V
- 50/60Hz
- Operating temperature range: -40°C-40°C
- Power Factor: > 0.98
- Total Harmonic Distortion: < 20% at full load

SPECIFICATION

Dimension(L-W-H): 12.8"-12.8"-3.7"

Max. Weight: 13.5 lbs



PERFORMANCE

CRI

80

CCT

3000K、4000K、5000K

Dimming

0-10V Dimming Standard

Projected Lifetime

L70 - 175,000 Hours

Working Temperature

-40-104°F (-40-40°C)

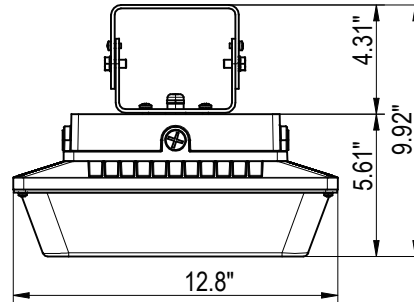
Certifications

- cETLus Listed
- IP65 rated
- DLC Premium listed
- RoHS compliant

With Trunnion

Dimension(L-W-H): 12.8"-12.8"-9.92"

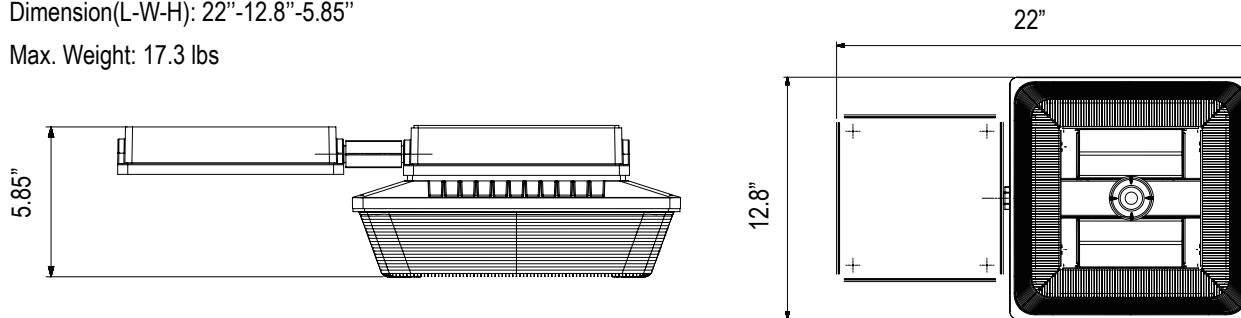
Max. Weight: 14.3 lbs



With EBU

Dimension(L-W-H): 22"-12.8"-5.85"

Max. Weight: 17.3 lbs



Ordering Information

Example: LSPKG35501P-MS-L2B

Name	Watts	CCT	Voltage	Series	Controls	MS LENS
LSPKG	35 - 35 Watts	30 - 3000K	1 - 120-277V	P - DLC Premium	MS - Wattstopper Sensor ⁵	L2B - L2 Lens Black ²
	65 - 70 Watts	40 - 4000K	6 - 347/480V ⁴		EBU8 - Emergency Battery Backup ¹	L7B - L7 Lens Black ³
		50 - 5000K			EBU6 - Emergency Battery Backup ⁶	

Notice:

- EBU8 is for 70W. In the event of a power failure, the battery backup units switch to emergency mode (about 1050 lumen output) and operates the fixture for a minimum of 90 minutes. The EBU is Title 20 compliant.
- Default setting for 35W.
- Default setting for 70W.
- Only 70W is available in 347/480V
- Wattstopper Sensor is not available for 347/480V.
- EBU6 is for 35W. In the event of a power failure, the battery backup units switch to emergency mode (about 780 lumen output) and operates the fixture for a minimum of 90 minutes. The EBU is Title 20 compliant.

* Dark Bronze finish is standard. Custom colors might be available for an additional fee. Please check with Customer Service for more information.

Installation & Accessories (Ordered separately/field install)



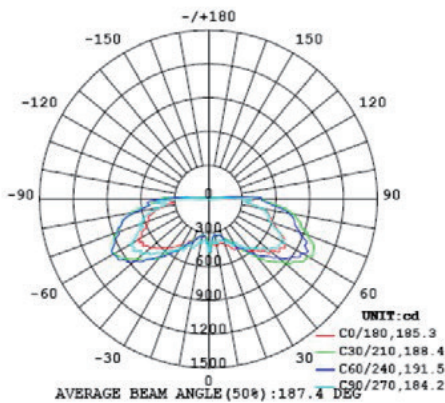
90420
LSPKG-TR
Trunnion for LSPKG



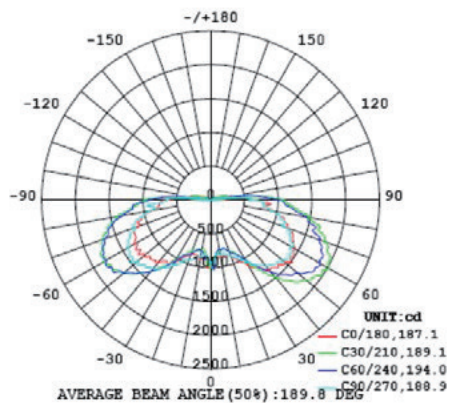
90196
LSPKG Wire Guard

PHOTOMETRY

All published luminaire photometric testing performed to IESNA LM-79-08 standards by a NVLAP certified laboratory.



35W



70W

PERFORMANCE DATA

LUMEN OUTPUT

Lumen values are measured by third party certified laboratories performed in accordance with IESNA LM-79-08 as well as Lighting Facts listed.

Watts	Lumen Output	AC Input 120V	Measured Watts	CRI	CCT	LPW
35W	4528	0.32A	35W	>80	5000K	130
70W	9172	0.60A	68W	>80		136

Lumen Ambient Temperature (LAT) Multipliers

Use these factors to determine relative lumen output for average ambient temperature from -40-104°F (-40-40°C)

Ambient		Multiplier
Celsius	Fahrenheit	
0	32	1.02
10	50	1.01
20	68	1.00
25	77	1.00
30	86	1.00
40	104	0.99

Projected LED Lumen Maintenance

Data references the extrapolated performance projections for the LED LS garage light in a 77°F ambient, (tested per IESNA LM-80-08 and projected per IESNA TM-21-11).

Operating Hours	0	5,000	10,000	30,000	175,000
Lumen Maintenance Factor	1.0	0.99(L99)	0.98(L98)	0.92(L92)	0.70(L70)

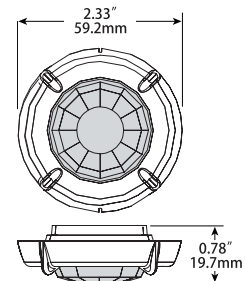
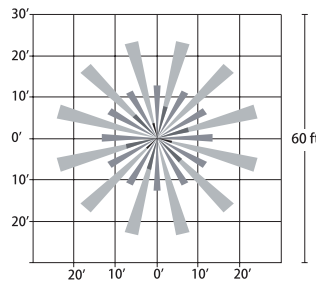
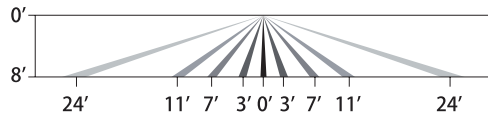
CONTROL

Motion Sensor:

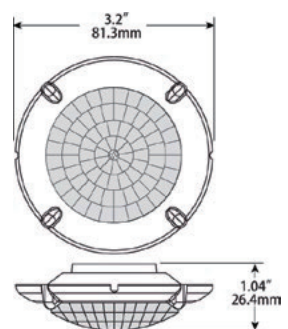
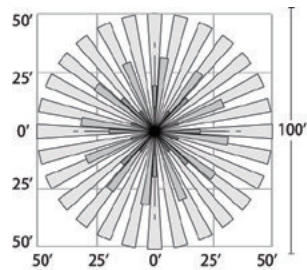
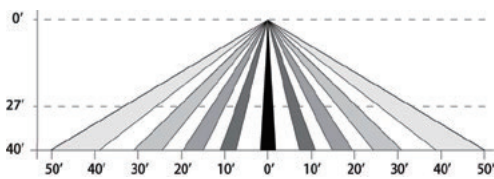
The passive infrared (PIR) outdoor sensor raises or lowers the electric lighting level to high, low or off based on motion and/or daylight contribution. Typically, once the sensor stops detecting movement and the time delay elapses, lights will first fade to low mode, and eventually switch off. When motion is detected, the sensor ramps the light level to high mode unless the daylight contribution is sufficient. The integral photocell can also switch the lights on and off for dusk to dawn control, so that lighting remains on overnight even without motion detection.

COVERAGE CHOICE

L2



L7

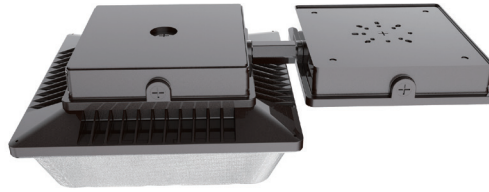


L2B	Black	360° lens, maximum coverage 48' diameter from 8' height
L7B	Black	360° lens, maximum coverage 100' diameter from 40' height

The default configuration of ABOVE ALL is L2B for 35W and L7B for 65W(Special request for coverage choice, please ask customer service)



- **FSP-211**
Multi-level Motion Sensor



- **EBU** Emergency battery back-up

INSTALLATION



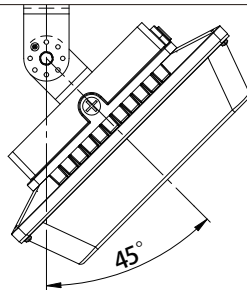
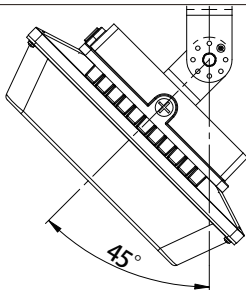
Surface Mount



1/2 NPT Pendant Mount



Trunion Mount



15-degree increments
Fully adjustable to 45 degrees

LS GARAGE LIGHT RATED LIFE (BASED ON ISTMT TEST REPORT)

Ambient Temp in	73°F	104°F	113°F	122°F
36W Rated Life	78,000H	76,000H	57,000H	40,000H
70W Rated Life	78,000H	65,000H	63,000H	50,000H

BUG RATING

Model	LSPKG35501P	LSPKG65501P
BUG Rating	B2-U3-G3	B3-U4-G4

Ref#: 20220718

Warranty

Five year limited warranty. Full warranty terms located at www.abovealllighting.com/warrantystatements

Note:

Specifications subject to change without notice.