



## MT LED FLOOD LIGHT



## PRODUCT DESCRIPTION

The MT LED area light is a universal and scalable outdoor LED luminaire. The MT LED area light can be customized for virtually any type of outdoor lighting application by applying one of several different mounting options to a universal body to create an Area, Flood or Wall Pack luminaire. Four installation methods including Trunnion/Yoke, Slip fitter and Pole mount. The MT LED area light can be customized for standard on off wall switching, on/off motion sensor switching or multi-level motion sensor switching. The MT LED area light also comes standard with 1-10V dimming.

## PERFORMANCE

CRI

70+

CCT

3000K、 4000K、 5000K

Dimming

1-10V Dimming Standard

Projected Lifetime

L70 - 154,000H

Working Temperature

-40-104°F (-40-40°C)

Certifications

- ETL Listed
- Suitable for wet location
- IP66 rated
- DLC Premium qualified
- RoHS compliant

## FEATURE

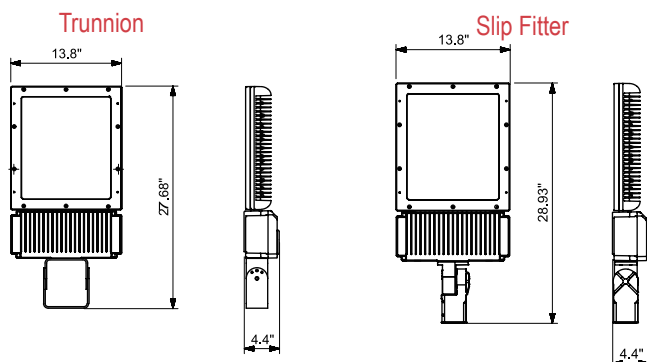
- High efficacy, up to 157LPW
- Special reflector design
- Tempered glass lens
- Quick and easy installation

## ELECTRICAL SYSTEM

- Input Voltage: 120-277V, 347V/ 480V
- 50/60Hz
- Minimum Ambient -40°F, maximum ambient 104°F
- Power Factor: > 0.9 at full load
- Total Harmonic Distortion: < 20% at full load
- Integral 10KV surge suppression protection standard
- 1-10V Dimming

## SPECIFICATION

Max. Weight: 29 lbs



## Ordering Information

### Example: MT150501-VW

NAME	Watts	CCT	Voltage	Controls	Distribution	Finish
MT	100 - 91 Watts	30 - 3000K	1 - 120-277V	Blank - None	VW - Type V Wide	Blank - Dark Bronze
	150 - 139 Watts	40 - 4000K	2 - 347V <sup>1</sup>	MS-L7B - Motion Sensor with Black L7 Lens <sup>4</sup>	VN - Type V Narrow	AL - Aluminum Silver <sup>6</sup>
	200 - 173 Watts	50 - 5000K	3 - 480V <sup>2</sup>	PC - Photoelectric Control	VM - Type V Middle	
			6 - 347V/480V <sup>3</sup>	7P - 7 Pin PE Receptacle <sup>5</sup>		

#### Note:

- 347V is only used with photoelectric control .
- 480V is only used with photoelectric control.
- If choose 347/480V, please do not choose photoelectric control.
- The standard MS L7 lens is suitable for the mounting height of 6m (20ft) and higher. Lead time for motion sensor is long please check with Customer Service in advance.
- Shorting cap included.
- Dark bronze finish is standard. Custom color is available for a premium setup fee. Consult customer service for additional information.

## Installation & Accessories (Ordered separately/field install)



90046

MT-Slip fitter

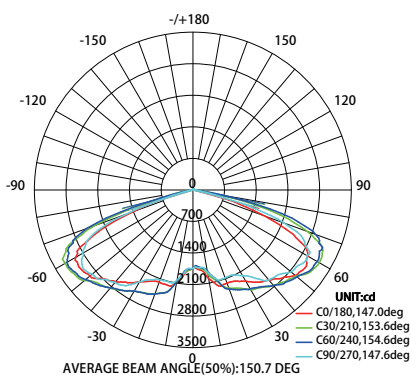


90055

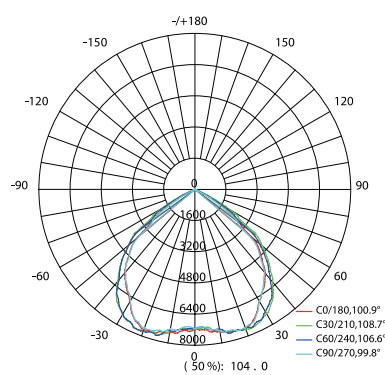
MT-Trunion

## PHOTOMETRY

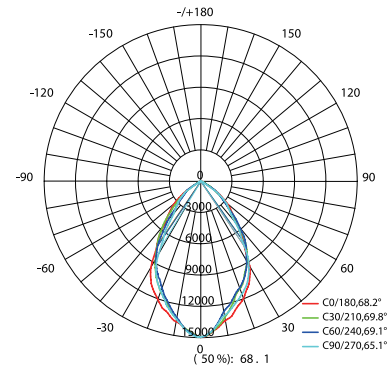
All published luminaire photometric testing performed to IESNA LM-79-08 standards by a NVLAP certified laboratory.



Type VW



Type VM



Type VN

## PERFORMANCE DATA

### LUMEN OUTPUT

Lumen values are measured by third party certified laboratories performed in accordance with IESNA LM-79-08 as well as Lighting Facts listed.

Measured Watts	Lumen Output	CCT	AC Input 120V	CRI	Dist. Type	LPW
91W	14250lm	4000K	0.76A	70	Type VM	157
139W	20400lm	4000K	1.16A	70	Type VM	147
173W	23500lm	4000K	1.44A	70	Type VM	136

#### Projected LED Lumen Maintenance


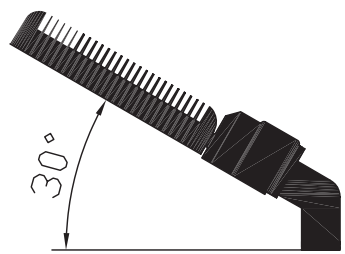
Data references the extrapolated performance projections for the MT LED in a 77°F ambient, (tested per IESNA LM-80-08 and projected per IESNA TM-21-11).

Operating Hours	0	10,000	19,000	37,000	154,000
Lumen Maintenance Factor	0.1	0.98(L98)	0.96(L96)	0.92(L92)	0.70(L70)

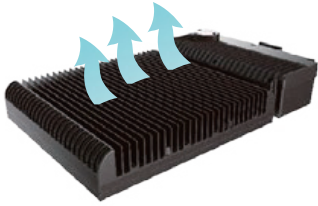
#### Lumen Ambient Temperature (LAT) Multipliers

Use these factors to determine relative lumen output for average ambient temperature from -40-104°F (-40-40°C).

Ambient		Multiplier
Celsius	Fahrenheit	
0	32	1.02
10	50	1.01
20	68	1.00
25	77	1.00
30	86	1.00
40	104	0.99

MT Line		MT100/MT150/MT200	Effective Projected Area EPA (Sq. Ft.)
	Slip Fitter		0.95
Trunnion in 30 Degree		1.38	

## FEATURES



High quality die cast housing  
Superior thermal management



Multi-level Motion Sensor



Standard Twistlock photocell

Ref#: 20211123

## BUG RATING

Performed to IESNA LM-79-08 standards by a NVLAP accredited laboratory

Model	BUG Rating
MT100501-VW	B3-U0-G2
MT150501-VW	B4-U0-G2
MT200501-VW	B4-U0-G2

## Warranty

Five year limited warranty. Full warranty terms located at [www.abovealllighting.com/warrantystatements/](http://www.abovealllighting.com/warrantystatements/)

## Note:

Specifications subject to change without notice.