



MXHB LED HIGH BAY



PRODUCT DESCRIPTION

MXHB LED round High Bay Light is for workshop, warehouse, indoor stadium and other industrial applications. It is an ideal replacement for Induction lamp, metal halide or HID lamp from 800W to 1500W. Pure aluminum heat sink enables the lumen efficacy higher with excellent thermal management in one-piece structure by cold-forging technology.

FEATURE

- Die-cast aluminium housing
- Tempered glass lens is standard
- High efficiency up to 170LPW
- IP65 rated

ELECTRICAL SYSTEM

- Input Voltage: 120-277V, 347/480V
- 50/60Hz
- Minimum ambient -40°F, maximum ambient 104°F
- Power Factor: > 0.9 at full load
- Total Harmonic Distortion: < 20% at full load

PERFORMANCE

CRI

70

CCT

3000K, 4000K, 5000K

Dimming

0-10V Dimming Standard

Projected Lifetime

L70 - 64,000 Hours

Working Temperature

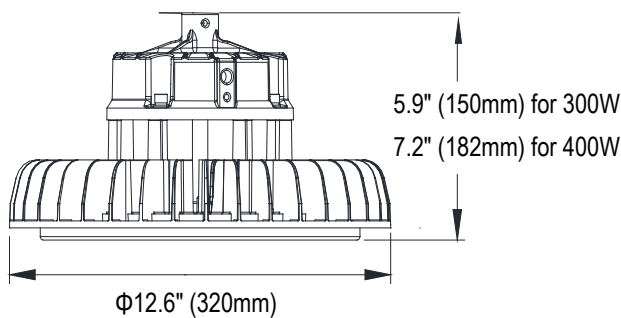
-40-104°F (-40-40°C)

Certifications

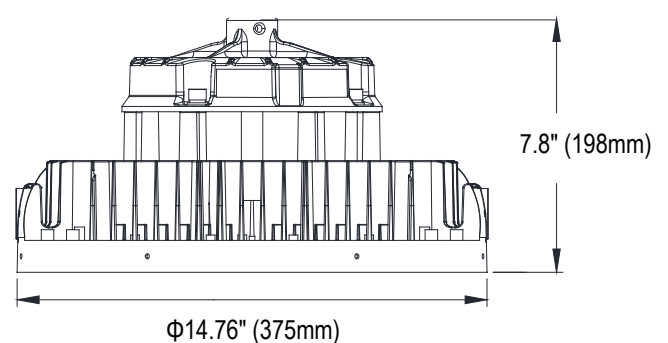
- ETL listed
- IP65 rated
- RoHS compliant

SPECIFICATION

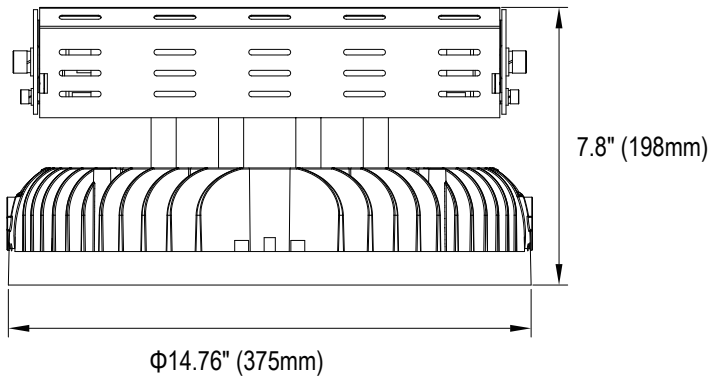
300W/400W



500W



600W



Ordering Information

Example: MXHB300LED501-HK

Name	Watts	Source	CCT	Voltage	Controls	Installation	Distribution	Finish
MXHB	300 -300W	LED	30 - 3000K	1 - 120-277V	Blank - None	HK - Hook ¹	Blank -120°	Blank - Black
	400 -400W		40 - 4000K	6 - 347/480V		TR - Trunion ¹		
	500 -500W		50 - 5000K					
	600 -600W							

Notice:

1. Hook is standard for 300W, 400W and 500W. Trunion is standard for 600W.



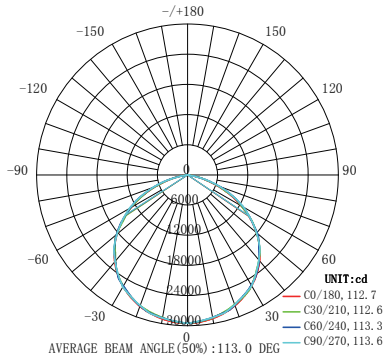
300W/400W/500W



600W

PHOTOMETRY

All published luminaire photometric testing performed to IESNA LM-79-08 standards by a NVLAP certified laboratory.



PERFORMANCE DATA

LUMEN OUTPUT

Lumen values are measured by third party certified laboratories performed in accordance with IESNA LM-79-08 as well as Lighting Facts listed.

Normal Watts	Measured Watts	Lumen Output	AC Input 120V	CRI	CCT	Beam Angle	LPW
300W	300W	50000	2.5A	70	5000K	120°	166
400W	393W	66900	3.3A	70	5000K	120°	170
500W	486W	81600	4.05A	70	5000K	120°	168
600W	600W	99300	5.00A	70	5000K	120°	164

Warranty

Five year limited warranty

Note:

Specifications subject to change without notice.