



SCELEY LED BOLLARD



PRODUCT DESCRIPTION

The Sceley led bollard comes in 18.7" and 42" height. An innovative bollard light which enhances the aesthetic and creative of city unique and gorgeous appearance. CCT and Wattage selectable. This bollard is an excellent choice for walkways, entrances, promenades, plazas, courtyards, driveways, bridges, and landscaped areas.

FEATURE

- 18.7" and 42" height available
- Wattage and CCT selectable
- Efficiency is up to 130lm/W
- IP66 rated for wet location
- IK10 rated

ELECTRICAL SYSTEM

- Input Voltage: 120-277V
- 50/60Hz
- Minimum Ambient -40°F, maximum ambient 104°F
- Power Factor: > 0.9 @120Vac
- Total Harmonic Distortion: < 20%

PERFORMANCE

CRI

70

CCT

3000K, 4000K, 5000K selectable

Dimming

0-10V Dimming Driver

Projected Lifetime

L70 - 100,000 Hours

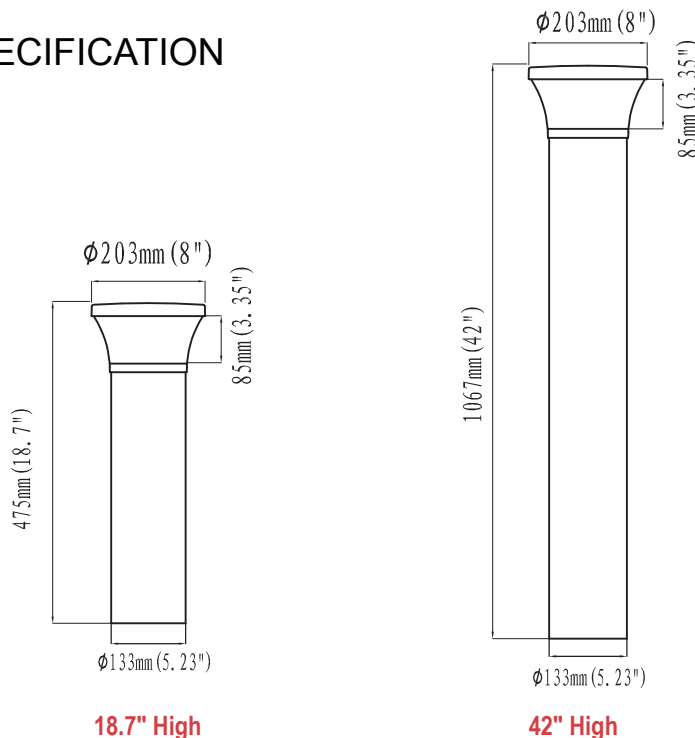
Working Temperature

-40°C to + 40°C (-40°F to 104°F)

Certifications

- cETL listed
- Suitable for wet location
- IP66 rated
- IK10 rated
- RoHS compliant

SPECIFICATION



18.7" High

42" High

Ordering Information

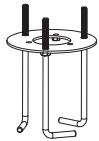
Example: SCBD42H-25SP-SW1-V-BK

Name	Pole Height	Watts	CCT	Voltage	Controls	Distribution	Finish
SCBD- Sceley Bollard	42H - 42" High 19H - 18.7" High	25SP - 25W Selectable ¹	SW- 3000K 4000K 5000K Selectable ²	1 - 120-277V	Blank - None Blank - Emergency Battery Back-up ³	V - Type V	BK - Black (RAL9017)

Note:

1. Default setting is 25W. The power could be set into 30%, 50%, 75% and 100%.
 2. Default setting is 3000K.
 3. Emergency battery back-up is only for 42" high pole. It is for ambient temperatures of 32°F-95°F(0 °C-35°C). Emergency battery backup is available in 4W with 470lm and works for a minimum of ninety (90) minutes.
- * Standard Finish is black. Custom colors might be available for an additional fee. Please check with Customer Service for more information.

ACCESSORIES (ORDER SEPARATELY)


91121

ABMK04
Anchor bolts mounting kits
for Sceley Bollard

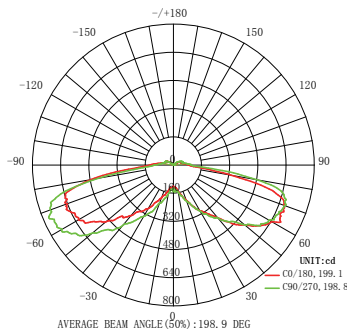
BUG Rating

Performed to IESNA LM-79-08 standards by a NVLAP accredited laboratory.

Model	BUG Rating
SCBDXXH-25SP-SW1	B2-U3-G2

PHOTOMETRY

All published luminaire photometric testing performed to IESNA LM-79-08 standards by a NVLAP certified laboratory.



Type V

PERFORMANCE DATA

LUMEN OUTPUT

Watts	Tested Watts	Lumen Output	AC Input 120V	CRI	CCT	LPW
25W	23W	2970m	0.9A	70	4000K	139
13W	13W	1780m	0.1A	70	4000K	137

Lumen Multiplier

3000K	0.9
4000K	1
5000K	0.95

Warranty

Five year limited warranty.

Note:

Specifications subject to change without notice.