



SELECTABLE MINI FLOOD LIGHT



PRODUCT DESCRIPTION

The Selectable Mini Flood light provides uncompromising optical performance. Multiple arm designs and mounting options are available. Powered by advanced LEDs, featured by CCT selectable. Die-casted aluminum housing, aerodynamic, and modern design. It is ideal to replace a halogen.

FEATURES

- Die-cast aluminum housing
- 3000K, 4000K and 5000K selectable
- High efficiency up to 152LPW
- Various mounting brackets
- Silicon Gasket , IP65

ELECTRICAL SYSTEM

- Input voltage:120-277V
- 50/60Hz
- Power Factor: >0.9
- Total Harmonic Distortion: <20% at full load
- Working Temperature: -40 - 104°F (-40 - 40°C)

PERFORMANCE

CRI

70

CCT

3000K, 4000K, 5000K selectable

Dimming

None dimming

Projected Lifetime

L70 -100,000 Hours

Working Temperature

-40 - 104°F (-40 - 40°C)

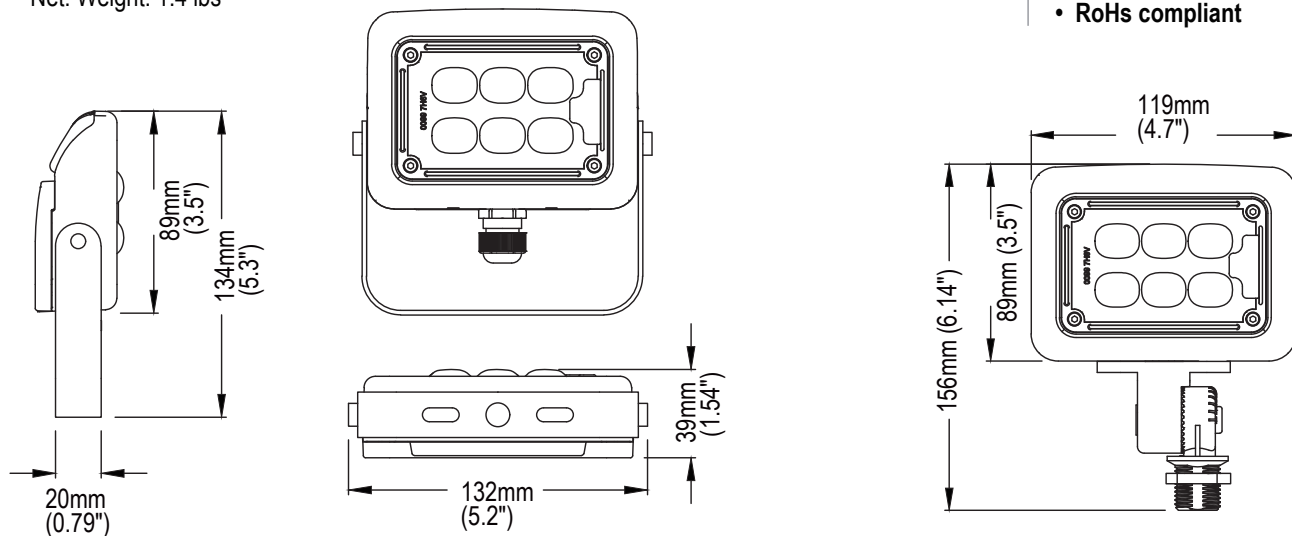
Certifications

- cUL listed
- Suitable for wet locations
- RoHs compliant

DIMENSION

12W

Net. Weight: 1.4 lbs

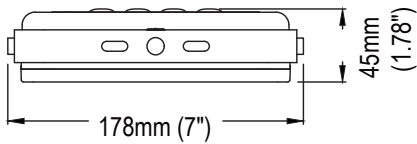
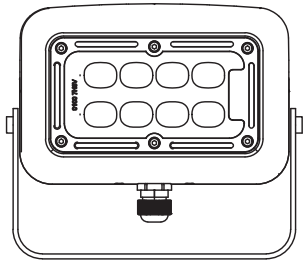


With Trunnion

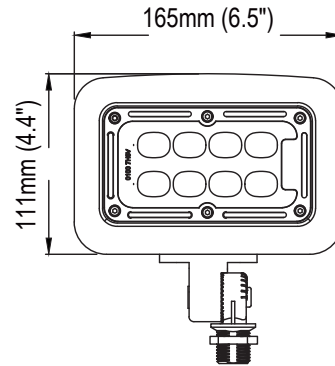
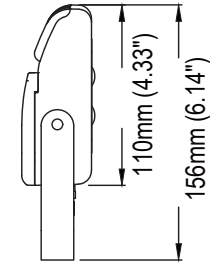
With Knuckle

30W

Net. Weight: 1.98 lbs



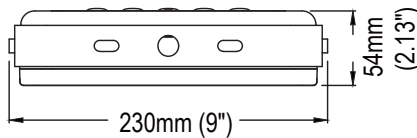
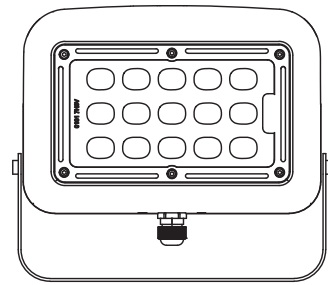
With Trunnion



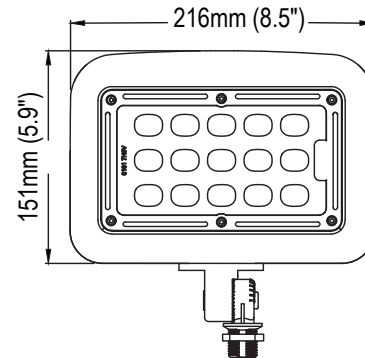
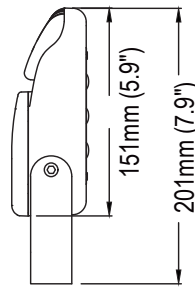
With Knuckle

50W

Net. Weight: 3.3 lbs



With Trunnion



With Knuckle

Ordering Information

Example: SMFL30-SW1-KN

Name	Watts	- CCT	Voltage	- Control	- Installation	- Distribution	- Finish
SMFL	12 - 12 Watts	- SW - Selectable White	1-120-277V	- Blank - None	- KN - Knuckle	- Blank - 7H x 6V	- Blank - Bronze
	30 - 30 Watts	3000K/4000K/5000K ¹		- PC - Button Photocell ²	- TR - Trunnion		
	50 - 50 Watts						

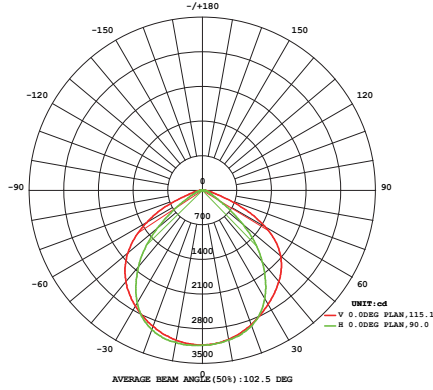
Notice:

- 4000K is default setting. If need other CCT please contact Customer Service in advance to change the setting in factory or change the setting in the field.
- Photocell is not available for 12W.

* Bronze finish is standard. Custom color is available for a premium setup fee. Consult customer service for additional information.

PHOTOMETRY

All published luminaire photo metric testing performed to IESNA LM-79-08 standards by a NVLAP certified laboratory.



50W

PERFORMANCE DATA

LUMEN OUTPUT

Lumen values are measured by third party certified laboratories performed in accordance with IESNA LM-79-08 as well as Lighting Facts listed.

Nominal Watts	Tested Watts	Lumen Output	AC Input 120V	CCT	CRI	LPW
12W	10W	1560	0.08A	4000K	>70	152
30W	26W	3900	0.22A	4000K	>70	151
50W	50W	7500	0.42A	4000K	>70	150

Ref#: 20211216



12W with Knuckle



30W with Knuckle



50W with Knuckle



12W with Trunion



30W with Trunion



50W with Trunion

WARRANTY

Five year limited warranty.

Note: Specifications subject to change without notice.