



SELECTABLE SENSOR BASED BACK-LIT LED FLAT PANEL



PRODUCT DESCRIPTION

The selectable sensor based flat panel is back-lit design. Sensor receptacle is pre-installed in the fixture frame. Plug and play occupancy and bluetooth sensors available for easy and quick installation. It comes in 2x2, 2x4 and 1x4 configurations. Ideal for standard T-bar and narrow grid drop ceiling to replace the fluorescent troffer in offices, supermarkets, schools and other indoor applications

FEATURE

- Wattage and CCT selectable
- Plug and play occupancy and bluetooth sensor
- No LGP, never yellowing
- High efficacy up to 133lm/w, meet DLC 5.1 premium version

ELECTRICAL SYSTEM

- Input voltage: 120-277V, 50/60Hz
- Power Factor: >0.9
- Total Harmonic Distortion: <20% at full load
- Working Temperature: -20~40°C (-4~104°F)

SPECIFICATION

2X2

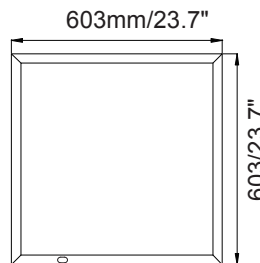
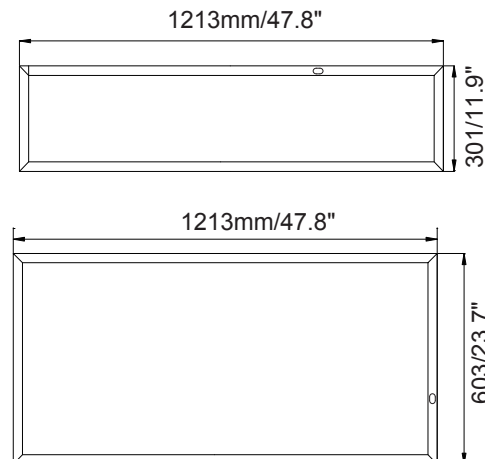
Length: 23.7"
Width: 23.7"
Depth: 1.5"

1X4

Length: 47.8"
Width: 11.9"
Depth: 1.5"

2X4

Length: 47.8"
Width: 23.7"
Depth: 1.5"



PERFORMANCE

CRI

80

CCT

3500K、4000K、5000K

Dimming

0-10V Dimming Standard

Projected Lifetime

L70 -50,000 Hours

Working Temperature

-4-104°F (-20-40°C)

Certifications

- cULus conforms to UL Std. 1598Cert. to CSA Std. C22.2 No.250.0
- Suitable for dry locations
- Type IC Rated, suitable for insulated ceilings
- RoHS compliant

Ordering Information

Example: SSBFLP24D-30SP-SW1

| Name | Dimension | Dimmable | - Watts | - CCT | Voltage | - Control |
|--------|-----------|------------------|---|---|-------------|---|
| SSBFLP | 22 - 2x2' | D- 1-10V dimming | 30SP - Selectable Power 20W/25W/30W ¹ | SW - Selectable White 3500K/4000K/5000K ³ | 1- 120-277V | Blank - With Sensor Receptacle ⁴ |
| | 14 - 1x4' | | 30SP - Selectable Power 20W/25W/30W ¹ | | | EBU - Emergency Back-up |
| | 24 - 2x4' | | 46SP - Selectable Power 35W/40W/46W ² | | | |

Notice:

- 30W is default setting, If need other wattage, please contact Customer Service in advance to change the setting in factory or change the setting in the field
- 46W is default setting, If need other wattage, please contact Customer Service in advance to change the setting in factory or change the setting in the field
- 4000K is default setting. If need other CCT please contact Customer Service in advance to change the setting in factory or change the setting in the field.
- Please choose the desired sensor in the following accessory table.

* White finish is standard. Additional charge will apply for customized color.

Accessories (Ordered separately)



SMK-22-SSBFLP
2*2 Surface Mount Kit



SMK-14-SSBFLP
1*4 Surface Mount Kit



SMK-24-SSBFLP
2*4 Surface Mount Kit



AC-22/24-SSBFLP
Aircraft Cable for
2x2 and 2x4



Bluetooth

PIR Occupancy Sensor
With Bluetooth



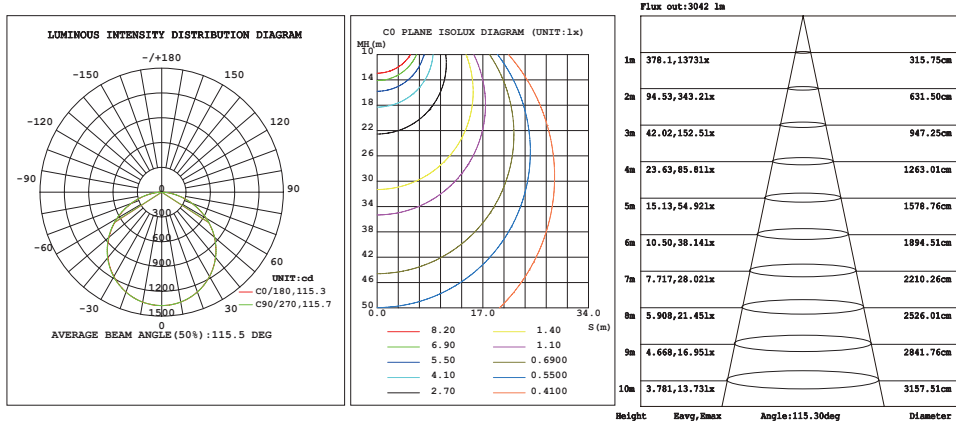
PIR Occupancy Sensor



AAL-RC-100
Remote Controller
for PIR Occupancy
Sensor

PHOTOMETRY

All published luminaire photo metric testing performed to IESNA LM-79-08 standards by a NVLAP certified laboratory.



PERFORMANCE DATA

LUMEN OUTPUT

Lumen values are measured by third party certified laboratories performed in accordance with IESNA LM-79-08 as well as Lighting Facts listed.

Standard

| Watts | Size | Nominal Lumen | CCT | CRI | LPW |
|-------|---------|---------------|-------|-----|-----|
| 20W | 2x2/1x4 | 2660lm | 4000K | >80 | 133 |
| 25W | 2x2/1x4 | 3250lm | 4000K | >80 | 130 |
| 30W | 2x2/1x4 | 3800lm | 4000K | >80 | 127 |
| 35W | 2x4 | 4650lm | 4000K | >80 | 133 |
| 40W | 2x4 | 5200lm | 4000K | >80 | 130 |
| 46W | 2x4 | 5940lm | 4000K | >80 | 129 |

Lumen Ambient Temperature (LAT) Multipliers

Use these factors to determine relative lumen output for average ambient temperature from -4-104°F (-20-40°C).

| Ambient | | Multiplier |
|---------|------------|------------|
| Celsius | Fahrenheit | |
| 0 | 32 | 1.02 |
| 10 | 50 | 1.01 |
| 20 | 68 | 1.00 |
| 25 | 77 | 1.00 |
| 30 | 86 | 1.00 |
| 40 | 104 | 0.99 |

Note: Actual performance may differ as a result of end-user environment and application. All values are design or typical values, measured under laboratory conditions at 25 °C. Specifications subject to change without notice

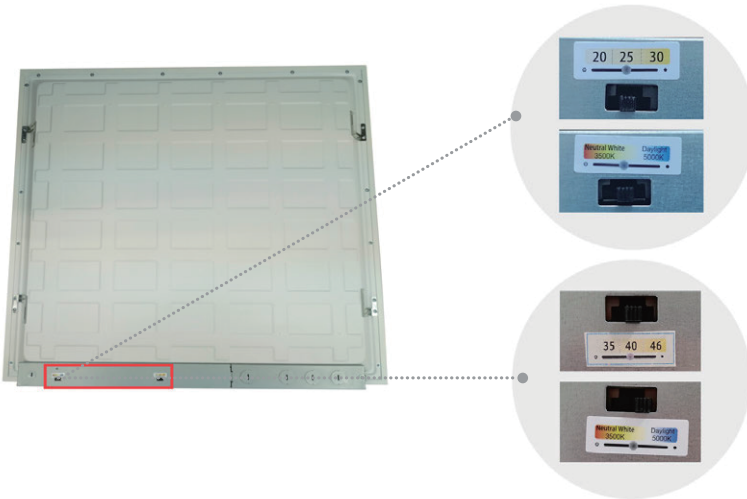


Quick and Easy Installation



Integrated PIR Occupancy and Daylight or Bluetooth Controls

The sensor receptacle is pre-embedded in the profile frame.



Wattage and CCT Selectable

Warranty

Five year limited warranty.

Note:

Specifications subject to change without notice.