



SUPERB AC LED RGBW WALL WASHER



PRODUCT DESCRIPTION

The SUPERB AC 120-277V LED RGBW linear luminaire features our highest quality integrated (4-in-1 SMD) RGBW led chips for near seamless blending of light and color as close to the source as possible. Designed for silky smooth Landscape and Facade lighting. Choose from a selection of factory set beam angles, customizing the perfect solution for Wall Grazing / Washing. Select from a range of factory pre - set, warm through cool white CCT options as monochrome, or for customizing the W in RGBW. The Luminaire body utilizes #6063 aluminum alloy molding, and anodizing surface treatment. IP 66 rated for exterior. Lamp lens is high strength glass. On/off control as well as DMX512 color changing function available.

FEATURES

- Intergrated RGBW led chips
- Various distribution options
- ON/OFF and DMX/RDM enabled
- Low copper content extruded aluminium
- Monochrome color and RGBW color changing

ELECTRICAL SYSTEM

- Input voltage: 120-277V
- 50/60Hz
- Power Factor: >0.9
- Working Temperature: -40-104°F (-40-104°F)

PERFORMANCE

CRI

70

CCT

2700K/3000K/4000K/5000K
RGB/RGBW

Dimming

On/Off control for monochrome color
DMX/RDM enabled for RGB/RGBW

Projected Lifetime

L70 -50,000 Hours

Working Temperature

-40 - 104°F (-40 - 40°C)

Certifications

- cETL listed
- Suitable for wet locations
- RoHs compliant
- IP66 rated

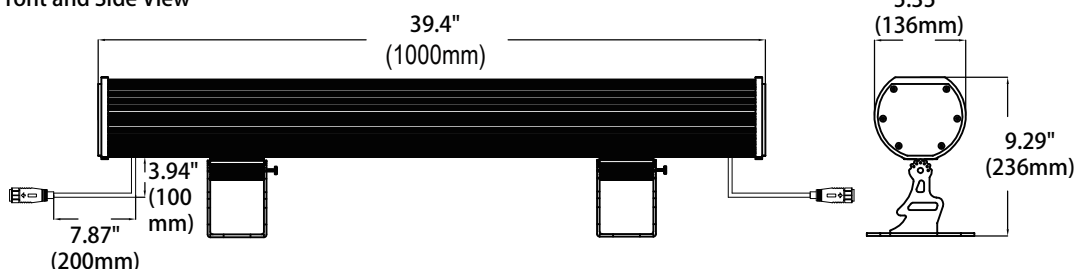
SPECIFICATION

On/Off control

TOP View



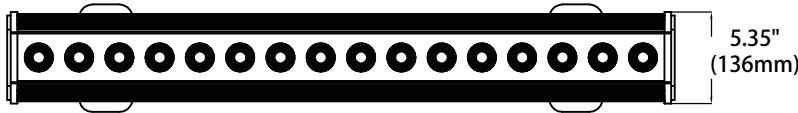
Front and Side View



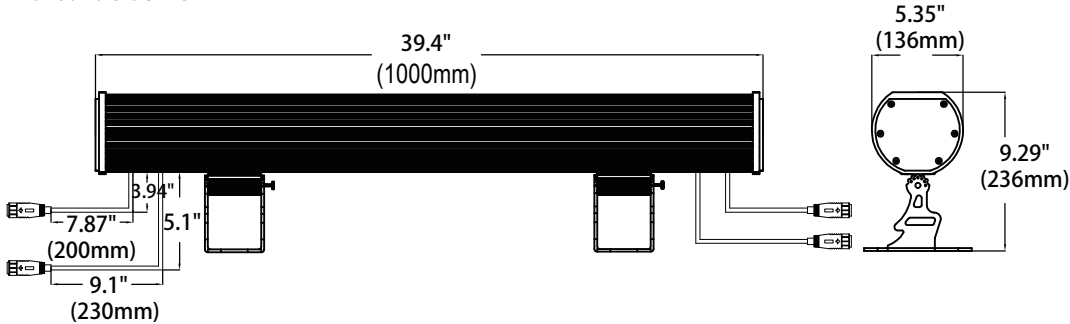
Input Cable

DMX/RDM enabled

TOP View



Front and Side View



Input Cable

Ordering Information

Example: SUPERB-150RGBW301-DMX-25-BK

Model	-Watts	CCT and color	Voltage	-Control	- Beaming Angle	-Finish
SUPERB	150 - 150W	27 - 2700K	1 -120-277V	Blank - On/Off control	3 -3°	BK - Black
	200 - 200W	30 - 3000K			8 -8°	GY - Grey
		40 - 4000K			25 -25°	
		50 - 5000K			10x45 -10°x45°	
		RGB - RGB		DMX	3 -3°	
		RGBW30 - RGB+3000K		- DMX/RDM enabled	8 -8°	
		RGBW40 - RGB+4000K			25 -25°	
		RGBW50 - RGB+5000K			10x45 -10°x45°	

Notice:

- * Maximum fixture quantity per series: 3 fixtures for 200W and 4 fixtures for 150W at 120V.
- * Standard Finish is Black. Custom colors might be available for an additional fee. Please check with Customer Service for more information.

Accessories (Ordered separately/field install)



LCB-3PIN

3-pin leader cable with female plug for AC power lead wiring



LCB-4PIN

4-pin leader cable with female plug for DMX signal wiring

* If the fixture is enabled with DMX, both 3-pin and 4-pin leader cables are needed.

PERFORMANCE DATA

LUMEN OUTPUT

Lumen values are measured by third party certified laboratories performed in accordance with IESNA LM-79-08 as well as Lighting Facts listed.

Watts	Lumen Output	AC Input 120V	CCT	LPW
150	12000	1.25A	4000K	80
200	16000	1.67A	4000K	80
150	5250	1.25A	RGB	35
200	7000	1.67A	RGB	35

Warranty

Five year limited warranty.

Note:

Specifications subject to change without notice.