



VEGA DC MEDIUM LED RGBW WALL WASHER



PRODUCT DESCRIPTION

The VEGA DC medium LED RGBW linear luminaire is DC 24V, designed for exterior Landscape and Facade lighting. Choose from a selection of available distribution / beam angles, customizing the perfect solution for Grazing / Wall Washing. A range of White CCT (monochrome) is available to choose from. Chosen White CCT as well as chosen beam angle will be set at the factory. The Luminaire body utilizes #6063 aluminum alloy molding, with an anodizing surface treatment. The lamp lens is high strength glass. On/off control as well as DMX512 color changing function available.

FEATURES

- Various distribution options
- Low copper content extruded aluminium
- ON/OFF and DMX/RDM enabled
- Monochrome color and RGBW color changing

ELECTRICAL SYSTEM

- Input voltage: 24V DC
- 50/60Hz
- Power Factor: >0.9
- Working Temperature: -40-104°F (-40-104°C)

PERFORMANCE

CRI

70

CCT

2700K/3000K/3500K/4000K
RGB/RGBW

Dimming

On/Off control for monochrome color
DMX/RDM enabled for RGB/RGBW

Projected Lifetime

L70 -50,000 Hours

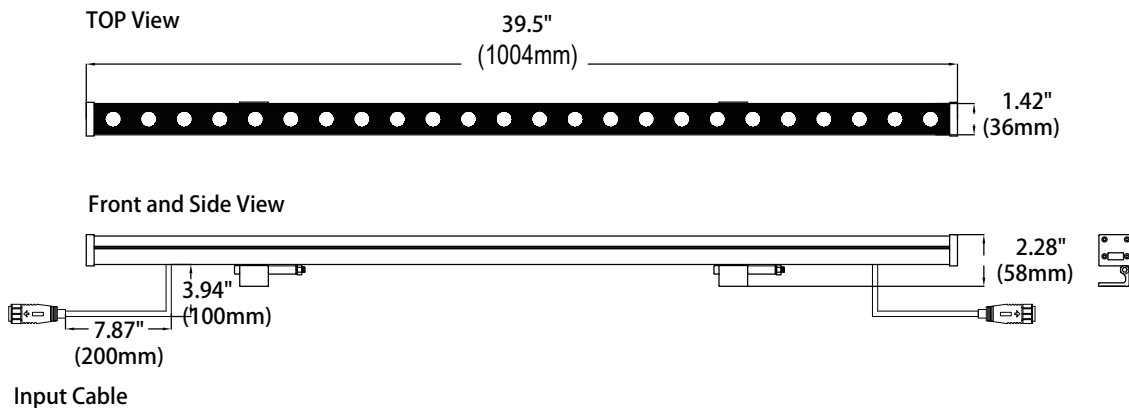
Working Temperature

-40 - 104°F (-40 - 40°C)

Certifications

- cETL listed
- Suitable for wet locations
- RoHs compliant
- IP66 rated

SPECIFICATION



Ordering Information

Example: VEGA-24RGBW30-24V-DMX-20-BK

Model	Watts	CCT and color	Voltage	Control	- Beaming Angle	-Finish			
VEGA	24 - 24W	22 - 2200K	24V- 24V DC	Blank - On/Off control	15 -15°	BK - Black GY - Grey			
	36 - 36W	30 - 3000K			20 -20°				
		35 - 3500K			30 -30°				
		40 - 4000K			45 -45°				
		60 -60°							
									15x30 -15°x30°
									20x30 -20°x30°
									25x35 -25°x35°
									25x45 -25°x45°
									10x60 -10°x60°
									6 - 6°
									12 -12°
									20 -20°
									30 -30°
					45 -45°				
					60 -60°				
					15x25 -15°x25°				
					20x40 -20°x40°				
					30x60 -30°x60°				
					10x60 -10°x60°				
		RGB - RGB		DMX					
		RGBW30 - RGB+3000K		- DMX/RDM enabled					
		RGBW40 - RGB+4000K							
		RGBW50 - RGB+5000K							

Notice:

- * Maximum 6 luminaires can be connected per series.
- * Standard Finish is Black. Custom colors might be available for an additional fee. Please check with Customer Service for more information.

Accessories (Ordered separately/field install)



LCB-2PIN
2-pin leader cable with female plug for DC power lead wiring



LCB-5PIN
5-pin leader cable with female plug for DC DMX signal wiring



ELG-150-24
150W led driver
input voltage: AC100-305V,
output voltage: 24V DC

ELG-100-24
100W led driver
input voltage: AC100-305V,
output voltage: 24V DC

* Total luminaires wattage can exceed the driver's wattage.

PERFORMANCE DATA

LUMEN OUTPUT

Lumen values are measured by third party certified laboratories performed in accordance with IESNA LM-79-08 as well as Lighting Facts listed.

Watts	Lumen Output	AC Input 120V	CCT	LPW
24	2040	0.2A	3000K	85
24	840	0.2A	RGB	35
36	3060	0.3A	3000K	85
36	1260	0.3A	RGB	35

Warranty

Five year limited warranty.

Note:

Specifications subject to change without notice.