



MACK LED BOLLARD



PRODUCT DESCRIPTION

The MACK led bollard comes in simple and modern rectilinear design. Fully shielded design used to control unwanted light in residential areas. This bollard has UV powder coated die cast high quality aluminum body, tempered safety glass, moulded silicone gasket and stainless steel screws. This bollard is an excellent choice for walkways, entrances, promenades, plazas, courtyards, driveways, bridges, and landscaped areas.

FEATURE

- Fully shielded design
- Die cast aluminum body
- Tempered safety glass
- IP65 rated for wet location

ELECTRICAL SYSTEM

- Input Voltage: 120-277V
- 50/60Hz
- Minimum Ambient -86°F, maximum ambient 104°F
- Power Factor: > 0.9 @120Vac
- Total Harmonic Distortion: < 20%

PERFORMANCE

CRI

80

CCT

3000K, 4000K

Dimming

Not dimming

Projected Lifetime

L70 - 100,000 Hours

Working Temperature

-30°C to + 40°C (-86°F to 104°F)

Certifications

- cETL listed
- Suitable for wet location
- IP65 rated
- RoHS compliant

Ordering Information

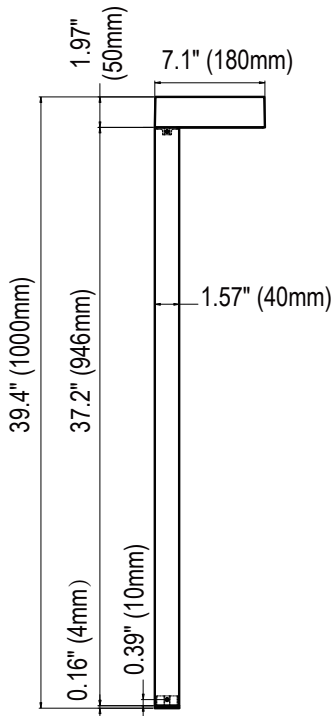
Example: MBD40H-10401-V-BK

Name	Height	Base	Watts	CCT	Voltage	Controls	Distribution	Finish
MBD - Mack Bollard	40H - 39.4" High	Blank- Small Base	10 - 10W	30 - 3000K 40 - 4000K	1 - 120-277V	Blank - None	V - Type V	BK - Black
	32H - 31.5" High	LB - Large Base						
	24H - 23.6" High	STB - Strong Base						

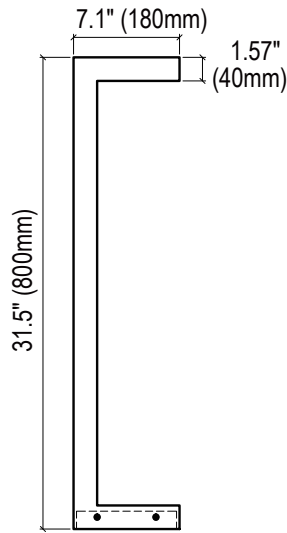
Note:

- * Anchor bolts is standard and packed together with the fixture.
- * Standard Finish is black. Custom colors might be available for an additional fee. Please check with Customer Service for more information.

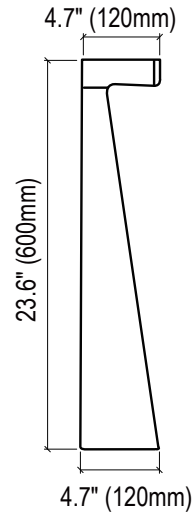
SPECIFICATION



Small Base



Large Base



Strong Base

Ref#: 20230816

PERFORMANCE DATA

LUMEN OUTPUT

Watts	Lumen Output	AC Input 120V	CRI	CCT	LPW
10W	700lm	0.08A	80	3000K	70

Warranty

Five year limited warranty.