

CPY500™ Series

CPY500™ LED Canopy Luminaire - Direct Mount

Rev. Date: V10 09/25/2023

Product Description

The CPY500™ Series LED luminaire features a large 11" X 11" glass optic that delivers the best in visual comfort and performance. Diffused optics minimize glare and increase visual comfort while delivering top-of-category 175 LPW efficiency and high-performance light distribution. Its sleek and low-profile form blends into the canopy while still being easily serviceable from below. Above the canopy, its uniquely angled extruded aluminum driver housing allows the CPY500™ Series to easily install around existing structures, making it ideal for both retrofit or new construction applications. Optional bezels provide enhanced aesthetics and optical control to minimize uplight yet attract the eye of drivers.

Applications: Petroleum canopies, CNG fueling stations

Performance Summary

Assembled in the USA by Cree Lighting from US and imported parts

Initial Delivered Lumens: Up to 20,900

Efficacy: Up to 175 LPW

CRI: Minimum 70 CRI (40K, 50K, 57K); 80 CRI (30K); 90 CRI (40K, 50K)

CCT: 3000K, 4000K, 5000K, 5700K

Limited Warranty*: 10 years on luminaire/10 years on Colorfast DeltaGuard® finish/up to 5 years for Synapse® accessories/1 year on field-installed accessories

IP65 overall, IP66 optics/IP66 driver housing

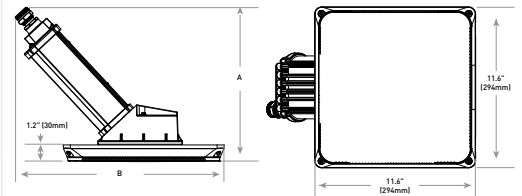
Class I, Division 2 Hazardous Location for select models

* See <http://creelighting.com/warranty> for warranty terms

Accessories

Field-Installed Accessories	
<p>16" Square Sparkle Bezel CP5-BZ-SP-* (for use with 10V or Q9 controls)</p> <p>16" Square Cut-Off Bezel CP5-BZ-CO-* (for use with 10V or Q9 controls)</p> <p>26" Square Beauty Plate (does not include backer plate) CP5-BTY-WH - May be used with bezel accessories - Not for use with BML or Z1 options</p> <p>26" Square Beauty Plate w/ Backer Plate CP5-BP-12-WH (for use with 12" canopies) CP5-BP-16-WH (for use with 16" canopies) - Field-customizable to upgrade most existing recessed mounted luminaires - Not suitable for use with box HID upgrades - May be used with bezel accessories - Not for use with BML or Z1 options</p>	<p>Wet Location Junction Box w/ Mounting Bracket for Driver Extrusion CP5-JBOX-HZ - Suitable for use with standard and hazardous locations - 4.5" (114mm) H x 2.75" (70mm) W x 2.0" (51mm) D die-cast aluminum w/ gray powdercoat - 1/2" (13mm) hub in each end and in back</p> <p>Synapse® SimplySnap 10V Interface DIM10-220F - 120V-277V - Requires other Synapse components to complete system - Refer to DIM10-220F spec sheet for details</p> <p>Single Backer Plates (does not include beauty plate) CP5-SBP-12 (for use with 12" canopies) CP5-SBP-16 (for use with 16" canopies) - Field-customizable to upgrade most existing recessed mounted luminaires - Not suitable for use with box HID upgrades - May be used with bezel accessories</p> <p>Adapter Plate for Double Skin Canopies CP5-AP-DSC - Allows for full luminaire installation from below the canopy</p>

* Must specify color: BK (Black), BZ (Bronze), SV (Silver) or WH (White)



Lumen Package	Dim "A"	Dim "B"	Weight
2L/4L/8L	11.1" (282mm)	15.0" (382mm)	10.4 lbs. (4.7kg)
13L	11.1" (282mm)	15.0" (382mm)	10.8 lbs. (4.9kg)
20L	13.2" (335mm)	17.0" (431mm)	12.0 lbs. (5.4kg)

Refer to page 6 for line drawings of the CP5 w/ BML control, Z1 option and bezel accessories.

Ordering Information

Example: CP5-13L-57K7-DF-UL-DM-WH-10V

CP5	Product	Lumen Package*	CCT/CRI	Optic	Voltage	Mounting**	Color Options	Controls (specify one)	Options
CP5		<p>2L 2,000 Lumens</p> <p>4L 4,000 Lumens</p> <p>8L 8,000 Lumens</p> <p>13L 13,000 Lumens</p> <p>20L 20,000 Lumens</p>	<p>30K8 3000K, 80 CRI</p> <p>40K7 4000K, 70 CRI</p> <p>50K9 5000K, 90 CRI</p> <p>57K7 5700K, 70 CRI</p>	<p>DF Diffuse Lambertian (Frosted)</p> <p>LB Lambertian</p>	<p>UL Universal 120-277V</p> <p>UH Universal 347-480V - Available only with 4L-20L lumen packages</p>	DM Direct	<p>BK Black</p> <p>BZ Bronze</p> <p>SV Silver</p> <p>WH White</p>	<p>10V - 0-10V Dimming to 10% - Not available with other controls - Not available with Z1 option</p> <p>BLANK - Not available with other controls - Requires Z1 option</p> <p>BML Bluetooth® Technology Enabled Multi-Level Sensor - Utilizes a multifunction sensor - Available only with UL voltage - Refer to BML spec sheet for details - 8-20' sensor lens installed on luminaire; - 20-40' sensor lens and aisle shroud included - Not available with other controls - Not available with 10KV, HZ or Z1 options</p> <p>Q9 Field Adjustable Output w/10V Dimming - Offers full range adjustability - Refer to page 5 for power and lumen values - Includes field-accessible dim leads - Not available with 10V option as Q9 option includes 10V dimming as standard - Not available with other controls - Not available with Z1 option</p>	<p>10KV 10KV/5kA Surge Suppression Protection - Replaces standard 6kV/3kA surge protection - Not available with the BML option as it is included when BML option is ordered</p> <p>HZ Class I, Div. 2 Hazardous Location Certification - Requires use of wet location j-box (by others) - Available only with 10V and Q9 controls - Not available with Z1 option</p> <p>Z1 Zhaga Book 18 Socket, bottom of luminaire - Includes cap. Zhaga controls by others - Available only with 8L-20L lumen packages - Available only with UL voltage - Available only with BLANK control option - Not available with HZ option</p>

* Lumen Package codes identify approximate light output only. Actual lumen output levels vary depending on CCT. Refer to Delivered Lumens tables for specific lumen values.

** Recessed soffit, recessed canopy, car wash, hook & cord and pendant mounts are also available. Refer to <https://www.creelighting.com/products/outdoor/canopy-and-soffit/> for spec sheets for these additional mounts.



US: creelighting.com T (800) 236-6800

Canada: creelighting-canada.com T (800) 473-1234

CREE ⇄ **LIGHTING**

Product Specifications

CONSTRUCTION & MATERIALS

- Slim, low profile light engine that mounts to bottom of canopy
- Light engine is constructed of rugged cast aluminum with integral heat sink specifically designed for LED
- Large uniform light panel features 0.157" molded borosilicate glass lens w/ side sparkle
- Optional bezel trim accessories provide optical glare control and shielding for light trespass

Optic	% Uplight
Lambertian	1.3%
Lambertian w/Sparkle Bezel	0.3%
Lambertian w/Cutoff Bezel	0.0%
Diffuse Lambertian	1.8%
Diffuse Lambertian w/Sparkle Bezel	0.4%
Diffuse Lambertian w/Cutoff Bezel	0.0%

- Angled extruded aluminum driver housing to fit under existing structures
- Light engine and driver can be installed independently in 90-degree increments for flexibility in installation
- All electronics are accessible from below canopy
- 2' TC-ER rated 600V, 18/5 cable exits luminaire
- Includes Heyco M3231 fitting and locknut to connect to electrical supply
- Includes wire form hanger and quick connects between light engine and driver compartment for ease of installation
- Corrosion resistant and captive screws
- Exclusive Colorfast DeltaGuard® finish features an E-Coat epoxy primer with an ultra-durable powder topcoat, providing excellent resistance to corrosion, ultraviolet degradation and abrasion. Black, bronze, silver and white are available
- **Weight:** Light Engine - 6.6 lbs. (3.0kg); 2L/4L/ 8L Driver Compartment - 3.8 lbs. (1.7kg); 13L Driver Compartment - 4.2 lbs. (1.9kg); 20L Driver Compartment - 5.4 lbs. (2.4kg); BML/Z1 - Add 0.4 lbs. (0.2kg)

ELECTRICAL SYSTEM

- **Input Voltage:** 120-277V or 347-480V, 50/60Hz
- **Power Factor:** > 0.9 at full load
- **Total Harmonic Distortion:** < 20% at full load
- Integral 6kV/3kA surge suppression protection standard; 10kV/5kA optional
- When code dictates fusing, a slow blow fuse or type C/D breaker should be used to address inrush current

CONTROLS

- Continuous dimming to 10% with 0-10V DC control protocol
- **10V Source Current:** 2L-8L: 0.15mA; 13L: 1mA; 20L: 0.15mA
- Use only lighting controls with neutral connection or controls intended for use with LED fixtures
- Reference [LED Dimming spec sheet](#) for additional dimming information

REGULATORY & VOLUNTARY QUALIFICATIONS

- cULus Listed
- Suitable for wet locations. Covered ceiling required only when not used with cULus Listed, wet location junction box or CP5-JBOX accessory
- Both driver compartment and light engine enclosures meet IP66 requirements per IEC 60529. The installed system meets IP65 requirements per IEC 60529
- ANSI C136.2 6kV/3kA (standard) and 10kV/5kA (optional) surge protection, tested in accordance with IEEE/ANSI C62.41.2
- Meets FCC Part 15, Subpart B, Class A limits for conducted and radiated emissions
- Luminaire and finish endurance tested to withstand 5,000 hours of elevated ambient salt fog conditions as defined in ASTM Standard B 117
- Assembled in the USA by Cree Lighting from US and imported parts
- Meets Buy American requirements within ARRA
- RoHS compliant. Consult factory for additional details
- Class I, Division 2 Hazardous Location rated when ordered with HZ option. Rated for Groups A, B, C & D. Bears a T4A, (120°C) temperature classification within a 40°C ambient
- DarkSky Approved when ordered with 30K8 CCT and cut-off bezel. Please refer to <https://darksky.org/what-we-do/darksky-approved/products-companies/#/~/search/keyword=cree> for most current information
- DLC Premium qualified. Please refer to <https://qpl.designlights.org/solid-state-lighting> for most current information
- **CA RESIDENTS WARNING:** Cancer and Reproductive Harm - www.p65warnings.ca.gov

Electrical Data*										
Lumen Package	Options	CCT/CRI	System Watts 120-277V	System Watts 347-480V	Total Current [A]					
					120V	208V	240V	277V	347V	480V
2L	All	30K8 40K7 50K7 57K7	13	N/A	0.11	0.06	0.06	0.05	N/A	N/A
	All	40K9 50K9	17	N/A	0.14	0.08	0.07	0.06	N/A	N/A
4L	All	All	25	27	0.21	0.12	0.11	0.09	0.07	0.05
8L	All except Z1	All	50	55	0.42	0.24	0.21	0.18	0.15	0.11
	Z1	All	46	N/A	0.39	0.22	0.19	0.17	N/A	N/A
13L	All except Z1	All	81	81	0.69	0.39	0.34	0.30	0.25	0.18
	Z1	All	78	N/A	0.66	0.38	0.33	0.29	N/A	N/A
20L	All except Z1	All	127	127	1.08	0.62	0.54	0.47	0.38	0.27
	Z1	All	127	N/A	1.08	0.62	0.54	0.47	N/A	N/A

* Electrical data at 25°C (77°F). Actual wattage may differ by +/- 10% when operating between 120-277V or 347-480V +/- 10%.

CPY500™ Series Ambient Adjusted Lumen Maintenance ¹						
	Luminaire Mounting Surface	Initial LMF	25K hr Reported ² LMF	50K hr Reported ² LMF	75K hr Reported ² LMF	100K hr Reported ² LMF
5°C (41°F)	2L-13L Plywood/ 2L-20L Metal	1.02	0.99	0.96	0.94	0.91
	20L Plywood*	1.02	0.98	0.95	0.92	0.88
10°C (50°F)	2L-13L Plywood/ 2L-20L Metal	1.02	0.98	0.96	0.93	0.91
	20L Plywood*	1.02	0.98	0.94	0.91	0.88
15°C (59°F)	2L-13L Plywood/ 2L-20L Metal	1.01	0.98	0.95	0.93	0.90
	20L Plywood*	1.01	0.97	0.94	0.90	0.87
20°C (68°F)	2L-13L Plywood/ 2L-20L Metal	1.01	0.97	0.95	0.92	0.89
	20L Plywood*	1.01	0.97	0.93	0.90	0.87
25°C (77°F)	2L-13L Plywood/ 2L-20L Metal	1.00	0.97	0.94	0.91	0.89
	20L Plywood*	1.00	0.96	0.93	0.89	0.86
30°C (86°F)	2L-13L Plywood/ 2L-20L Metal	0.99	0.96	0.93	0.91	0.88
	20L Plywood*	0.99	0.95	0.91	0.87	0.83
35°C (95°F)	2L-13L Plywood/ 2L-20L Metal	0.99	0.96	0.93	0.90	0.88
	20L Plywood*	0.99	0.93	0.89	0.84	0.80
40°C (104°F)	2L-13L Plywood/ 2L-20L Metal	0.98	0.95	0.92	0.90	0.87
	20L Plywood*	0.98	0.92	0.87	0.82	0.77
45°C (113°F)	2L-13L Plywood/ 2L-20L Metal	0.98	0.94	0.91	0.89	0.86
	20L Metal	0.98	0.94	0.90	0.87	0.84
	20L Plywood*	N/A				
50°C (122°F)	2L-13L Plywood/ 2L-13L Metal	0.97	0.94	0.91	0.88	0.85
	20L Metal	0.97	0.92	0.88	0.85	0.81
	20L Plywood*	N/A				

* 20L mounted directly to plywood is suitable through 40°C only.

¹ Lumen maintenance values at 25°C (77°F) are calculated per IES TM-21 based on IES LM-80 report data for the LED package and in-situ luminaire testing. Luminaire ambient temperature factors (LATF) have been applied to all lumen maintenance factors. Please refer to the [Temperature Zone Reference Document](#) for outdoor average nighttime ambient conditions.

² In accordance with IES TM-21, Reported values represent interpolated values based on time durations that are up to 6x the tested duration in the IES LM-80 report for the LED.

Operating Temperature Range			
Lumen Package	Direct Mount to Plywood	Direct Mount to Sheet Metal	Class 1, Division 2 Hazardous Location
			Direct Mount to Plywood Direct Mount to Sheet Metal
2L-13L	-40°C to +50°C	-40°C to +50°C	-40°C to +40°C
20L	-40°C to +40°C	-40°C to +50°C	

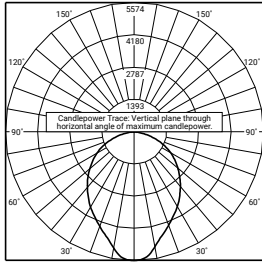
NOTE: Luminaire is UL rated at 40°C, but will operate in the ambients listed above.
WARNING: Exceeding maximum operating temperature may result in thermal foldback

Photometry

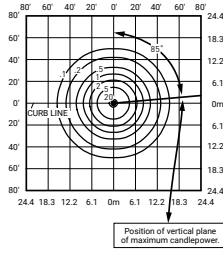
All published luminaire photometric testing performed to IES LM-79 standards.

To obtain an IES file specific to your project consult: <https://www.creelighting.com/products/outdoor/canopy-and-soffit/cpy500-series>

LAMBERTIAN



RESTL Test Report #: PL16337-001A
CP5-13L-57K7-LB-UL-xx-xx-xxx
Initial Delivered Lumens: 13,031

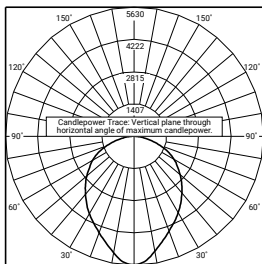


CP5-13L-57K7-LB-UL-xx-xx-xxx
Mounting Height: 15' (4.6m) A.F.G.
Initial Delivered Lumens: 13,525
Initial FC at grade

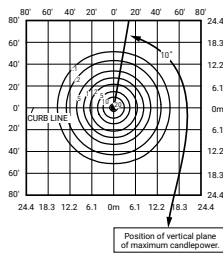
Lambertian		3000K (80 CRI)		4000K/5000K/5700K (70 CRI)		4000K/5000K (90 CRI)	
Lumen Package	Options	Initial Delivered Lumens*	BUG Ratings** Per TM-15-20	Initial Delivered Lumens*	BUG Ratings** Per TM-15-20	Initial Delivered Lumens*	BUG Ratings** Per TM-15-20
2L	All	2,160	B1 U2 G1	2,280	B1 U2 G1	2,070	B1 U2 G1
4L	All	4,000	B2 U2 G1	4,240	B2 U2 G1	3,220	B1 U2 G1
8L	All except Z1	7,475	B3 U3 G1	8,275	B3 U3 G1	6,250	B2 U3 G1
	Z1	6,875	B2 U3 G1	7,600	B3 U3 G1	5,750	B2 U2 G1
13L	All except Z1	12,150	B3 U3 G2	13,525	B3 U3 G2	10,200	B3 U3 G1
	Z1	11,375	B3 U3 G2	12,650	B3 U3 G2	9,550	B3 U3 G1
20L	All	18,700	B4 U3 G2	20,900	B4 U3 G2	15,700	B3 U3 G2

* Initial delivered lumens at 25°C (77°F). Actual production yield may vary between -10 and +10% of initial delivered lumens
** For more information on the IES BUG (Backlight-Uplight-Glare) Rating visit: <https://www.ies.org/wp-content/uploads/2017/03/TM-15-11BUGRatingsAddendum.pdf>

LAMBERTIAN W/SPARKLE BEZEL



RESTL Test Report #: PL16413-001A
CP5-13L-57K7-LB-UL-xx-xx-xxx w/
CP5-BZ-SP-xx
Initial Delivered Lumens: 13,341

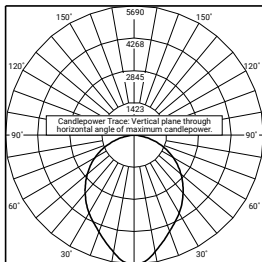


CP5-13L-57K7-LB-UL-xx-xx-xxx w/
CP5-BZ-SP-xx
Mounting Height: 15' (4.6m) A.F.G.
Initial Delivered Lumens: 13,525
Initial FC at grade

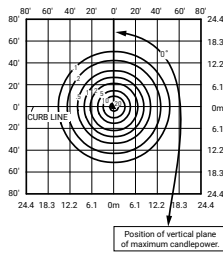
Lambertian w/Sparkle Bezel		3000K (80 CRI)		4000K/5000K/5700K (70 CRI)		4000K/5000K (90 CRI)	
Lumen Package	Options	Initial Delivered Lumens*	BUG Ratings** Per TM-15-20	Initial Delivered Lumens*	BUG Ratings** Per TM-15-20	Initial Delivered Lumens*	BUG Ratings** Per TM-15-20
2L	All	2,160	B1 U1 G1	2,280	B1 U1 G1	2,070	B1 U1 G1
4L	All	4,000	B2 U2 G1	4,240	B2 U2 G1	3,220	B1 U1 G1
8L	All except Z1	7,475	B3 U2 G1	8,275	B3 U2 G1	6,250	B2 U2 G1
	Z1	6,875	B2 U2 G1	7,600	B3 U2 G1	5,750	B2 U2 G1
13L	All except Z1	12,150	B3 U2 G2	13,525	B3 U2 G2	10,200	B3 U2 G2
	Z1	11,375	B3 U2 G2	12,650	B3 U2 G2	9,550	B3 U2 G1
20L	All	18,700	B4 U3 G2	20,900	B4 U3 G2	15,700	B3 U2 G2

* Initial delivered lumens at 25°C (77°F). Actual production yield may vary between -10 and +10% of initial delivered lumens
** For more information on the IES BUG (Backlight-Uplight-Glare) Rating visit: <https://www.ies.org/wp-content/uploads/2017/03/TM-15-11BUGRatingsAddendum.pdf>

LAMBERTIAN W/CUT-OFF BEZEL



RESTL Test Report #: PL16414-001A
CP5-13L-57K7-LB-UL-xx-xx-xxx w/
CP5-BZ-CO-xx
Initial Delivered Lumens: 13,188



CP5-13L-57K7-LB-UL-xx-xx-xxx w/
CP5-BZ-CO-xx
Mounting Height: 15' (4.6m) A.F.G.
Initial Delivered Lumens: 13,525
Initial FC at grade

Lambertian w/Cut-Off Bezel		3000K (80 CRI)		4000K/5000K/5700K (70 CRI)		4000K/5000K (90 CRI)	
Lumen Package	Options	Initial Delivered Lumens*	BUG Ratings** Per TM-15-20	Initial Delivered Lumens*	BUG Ratings** Per TM-15-20	Initial Delivered Lumens*	BUG Ratings** Per TM-15-20
2L	All	2,160	B1 U0 G1	2,280	B1 U0 G1	2,070	B1 U0 G1
4L	All	4,000	B2 U0 G1	4,240	B2 U0 G1	3,220	B1 U0 G1
8L	All except Z1	7,475	B3 U0 G1	8,275	B3 U0 G1	6,250	B2 U0 G1
	Z1	6,875	B3 U0 G1	7,600	B3 U0 G1	5,750	B2 U0 G1
13L	All except Z1	12,150	B3 U0 G1	13,525	B3 U0 G1	10,200	B3 U0 G1
	Z1	11,375	B3 U0 G1	12,650	B3 U0 G1	9,550	B3 U0 G1
20L	All	18,700	B4 U0 G2	20,900	B4 U0 G2	15,700	B3 U0 G2

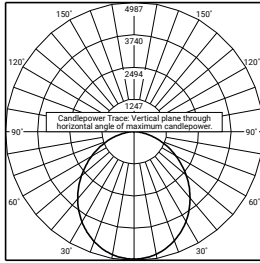
* Initial delivered lumens at 25°C (77°F). Actual production yield may vary between -10 and +10% of initial delivered lumens
** For more information on the IES BUG (Backlight-Uplight-Glare) Rating visit: <https://www.ies.org/wp-content/uploads/2017/03/TM-15-11BUGRatingsAddendum.pdf>

Photometry

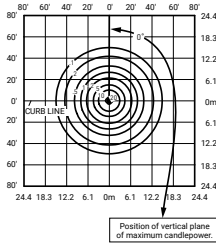
All published luminaire photometric testing performed to IES LM-79 standards.

To obtain an IES file specific to your project consult: <https://www.creelighting.com/products/outdoor/canopy-and-soffit/cpy500-series>

DIFFUSE LAMBERTIAN



RESTL Test Report #: PL16406-001A
CP5-13L-57K7-DF-UL-xx-xx-xxx
Initial Delivered Lumens: 13,237

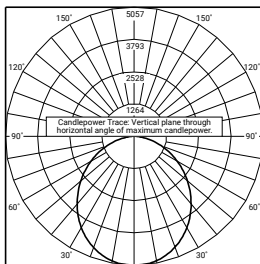


CP5-13L-57K7-DF-UL-xx-xx-xxx
Mounting Height: 15' (4.6m) A.F.G.
Initial Delivered Lumens: 13,525
Initial FC at grade

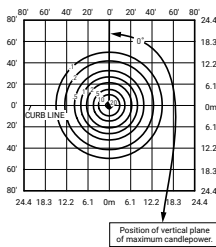
Diffuse Lambertian							
Lumen Package	Options	3000K (80 CRI)		4000K/5000K/5700K (70 CRI)		4000K/5000K (90 CRI)	
		Initial Delivered Lumens*	BUG Ratings** Per TM-15-20	Initial Delivered Lumens*	BUG Ratings** Per TM-15-20	Initial Delivered Lumens*	BUG Ratings** Per TM-15-20
2L	All	2,160	B1 U2 G1	2,280	B1 U2 G1	2,070	B1 U2 G1
4L	All	4,000	B2 U2 G1	4,240	B2 U3 G1	3,220	B1 U2 G1
8L	All except Z1	7,475	B3 U3 G1	8,275	B3 U3 G1	6,250	B2 U3 G1
	Z1	6,875	B2 U3 G1	7,600	B3 U3 G1	5,750	B2 U3 G1
13L	All except Z1	12,150	B3 U3 G2	13,525	B3 U3 G2	10,200	B3 U3 G1
	Z1	11,375	B3 U3 G2	12,650	B3 U3 G2	9,550	B3 U3 G1
20L	All	18,700	B4 U3 G2	20,900	B4 U3 G2	15,700	B3 U3 G2

* Initial delivered lumens at 25°C (77°F). Actual production yield may vary between -10 and +10% of initial delivered lumens
** For more information on the IES BUG (Backlight-Uplight-Glare) Rating visit: <https://www.ies.org/wp-content/uploads/2017/03/TM-15-11BUGRatingsAddendum.pdf>

DIFFUSE LAMBERTIAN W/SPARKLE BEZEL



RESTL Test Report #: PL16415-001A
CP5-13L-57K7-DF-UL-xx-xx-xxx w/
CP5-BZ-SP-xx
Initial Delivered Lumens: 13,518

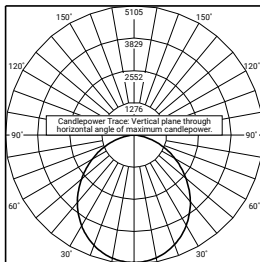


CP5-13L-57K7-DF-UL-xx-xx-xxx w/
CP5-BZ-SP-xx
Mounting Height: 15' (4.6m) A.F.G.
Initial Delivered Lumens: 13,525
Initial FC at grade

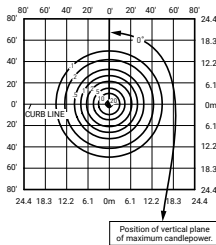
Diffuse Lambertian w/Sparkle Bezel							
Lumen Package	Options	3000K (80 CRI)		4000K/5000K/5700K (70 CRI)		4000K/5000K (90 CRI)	
		Initial Delivered Lumens*	BUG Ratings** Per TM-15-20	Initial Delivered Lumens*	BUG Ratings** Per TM-15-20	Initial Delivered Lumens*	BUG Ratings** Per TM-15-20
2L	All	2,160	B1 U1 G1	2,280	B1 U1 G1	2,070	B1 U1 G1
4L	All	4,000	B2 U2 G1	4,240	B2 U2 G1	3,220	B1 U2 G1
8L	All except Z1	7,475	B3 U2 G1	8,275	B3 U2 G1	6,250	B2 U2 G1
	Z1	6,875	B2 U2 G1	7,600	B3 U2 G1	5,750	B2 U2 G1
13L	All except Z1	12,150	B3 U2 G2	13,525	B3 U3 G2	10,200	B3 U3 G2
	Z1	11,375	B3 U3 G2	12,650	B3 U3 G2	9,550	B3 U2 G1
20L	All	18,700	B4 U3 G2	20,900	B4 U3 G2	15,700	B3 U3 G2

* Initial delivered lumens at 25°C (77°F). Actual production yield may vary between -10 and +10% of initial delivered lumens
** For more information on the IES BUG (Backlight-Uplight-Glare) Rating visit: <https://www.ies.org/wp-content/uploads/2017/03/TM-15-11BUGRatingsAddendum.pdf>

DIFFUSE LAMBERTIAN W/CUT-OFF BEZEL



RESTL Test Report #: PL16416-001A
CP5-13L-57K7-DF-UL-xx-xx-xxx w/
CP5-BZ-CO-xx
Initial Delivered Lumens: 13,350



CP5-13L-57K7-DF-UL-xx-xx-xxx w/
CP5-BZ-CO-xx
Mounting Height: 15' (4.6m) A.F.G.
Initial Delivered Lumens: 13,525
Initial FC at grade

Diffuse Lambertian w/Cut-Off Bezel							
Lumen Package	Options	3000K (80 CRI)		4000K/5000K/5700K (70 CRI)		4000K/5000K (90 CRI)	
		Initial Delivered Lumens*	BUG Ratings** Per TM-15-20	Initial Delivered Lumens*	BUG Ratings** Per TM-15-20	Initial Delivered Lumens*	BUG Ratings** Per TM-15-20
2L	All	2,160	B1 U0 G1	2,280	B1 U0 G1	2,070	B1 U0 G1
4L	All	4,000	B2 U0 G1	4,240	B2 U0 G1	3,220	B1 U0 G1
8L	All except Z1	7,475	B3 U0 G1	8,275	B3 U0 G1	6,250	B2 U0 G1
	Z1	6,875	B3 U0 G1	7,600	B3 U0 G1	5,750	B2 U0 G1
13L	All except Z1	12,150	B3 U0 G1	13,525	B3 U0 G1	10,200	B3 U0 G1
	Z1	11,375	B3 U0 G1	12,650	B3 U0 G1	9,550	B3 U0 G1
20L	All	18,700	B4 U0 G2	20,900	B4 U0 G2	15,700	B3 U0 G2

* Initial delivered lumens at 25°C (77°F). Actual production yield may vary between -10 and +10% of initial delivered lumens
** For more information on the IES BUG (Backlight-Uplight-Glare) Rating visit: <https://www.ies.org/wp-content/uploads/2017/03/TM-15-11BUGRatingsAddendum.pdf>

Field Adjustable Output (Q9/Q8/Q7/Q6/Q5/Q4/Q3/Q2/Q1) Option Description:

The Field Adjustable Output option enables the CP5 canopy luminaires to be tuned to the exact needs of a particular application through multiple levels of adjustment. When ordered with the Q option, the luminaire will be shipped from the factory at full power (Q9) and will be fully adjustable between the nine settings.

Q Option Power & Lumen Data – 2L Lumen Package										
Q Option Setting	Q9	Q8	Q7	Q6	Q5	Q4	Q3	Q2	Q1	
Input Watts (120-277V), 30K8/40K7/50K7/57K7	13W	13W	12W	12W	11W	10W	9W	8W	7W	
Input Watts (120-277V), 40K9/50K9	17W	16W	15W	15W	13W	12W	11W	10W	9W	
Lumen Values (Lambertian & Diffuse Lambertian)*										
CCT/CRI	30K (80CRI)	2,160	2,070	1,960	1,890	1,720	1,590	1,420	1,270	1,150
	40K/50K/57K (70 CRI)	2,280	2,190	2,080	2,000	1,820	1,680	1,500	1,340	1,210
	40K/50K (90 CRI)	2,070	1,990	1,880	1,810	1,640	1,520	1,360	1,220	1,100

* Also applies to luminaires with bezel accessories.

Q Option Power & Lumen Data – 4L Lumen Package										
Q Option Setting	Q9	Q8	Q7	Q6	Q5	Q4	Q3	Q2	Q1	
Input Watts (120-277V)	25W	24W	23W	22W	20W	18W	17W	15W	14W	
Input Watts (347-480V)	27W	26W	25W	24W	22W	20W	18W	17W	15W	
Lumen Values (Lambertian & Diffuse Lambertian)*										
CCT/CRI	30K (80CRI)	4,000	3,850	3,570	3,280	2,800	2,360	1,900	1,520	1,240
	40K/50K/57K (70 CRI)	4,240	4,070	3,850	3,700	3,370	3,110	2,790	2,490	2,250
	40K/50K (90 CRI)	3,220	3,090	2,920	2,810	2,560	2,360	2,110	1,890	1,710

* Also applies to luminaires with bezel accessories.

Q Option Power & Lumen Data – 8L Lumen Package										
Q Option Setting	Q9	Q8	Q7	Q6	Q5	Q4	Q3	Q2	Q1	
Input Watts (120-277V)	50W	48W	45W	43W	39W	36W	33W	29W	26W	
Input Watts (347-480V)	55W	52W	49W	47W	43W	40W	36W	32W	29W	
Lumen Values (Lambertian & Diffuse Lambertian)*										
CCT/CRI	30K (80CRI)	7,475	7,200	6,800	6,550	5,950	5,500	4,920	4,400	3,970
	40K/50K/57K (70 CRI)	8,275	7,950	7,525	7,225	6,575	6,075	5,450	4,860	4,390
	40K/50K (90 CRI)	6,250	6,000	5,700	5,475	4,970	4,590	4,110	3,680	3,320

* Also applies to luminaires with bezel accessories.

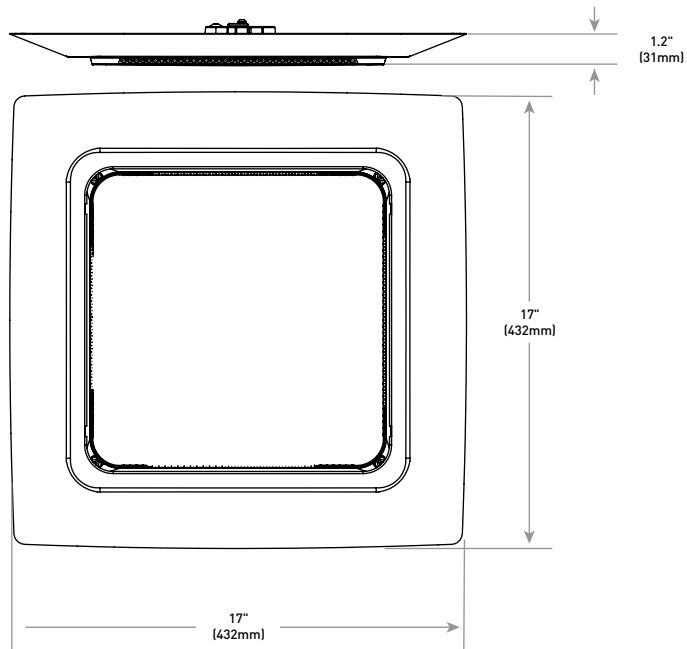
Q Option Power & Lumen Data – 13L Lumen Package										
Q Option Setting	Q9	Q8	Q7	Q6	Q5	Q4	Q3	Q2	Q1	
Input Watts (120-480V)	81W	78W	74W	71W	64W	60W	54W	48W	44W	
Lumen Values (Lambertian & Diffuse Lambertian)*										
CCT/CRI	30K (80CRI)	12,150	11,675	11,075	10,650	9,725	9,000	8,075	7,225	6,525
	40K/50K/57K (70 CRI)	13,525	13,000	12,325	11,850	10,800	10,000	8,975	8,050	7,275
	40K/50K (90 CRI)	10,200	9,800	9,300	8,925	8,150	7,550	6,775	6,050	5,475

* Also applies to luminaires with bezel accessories.

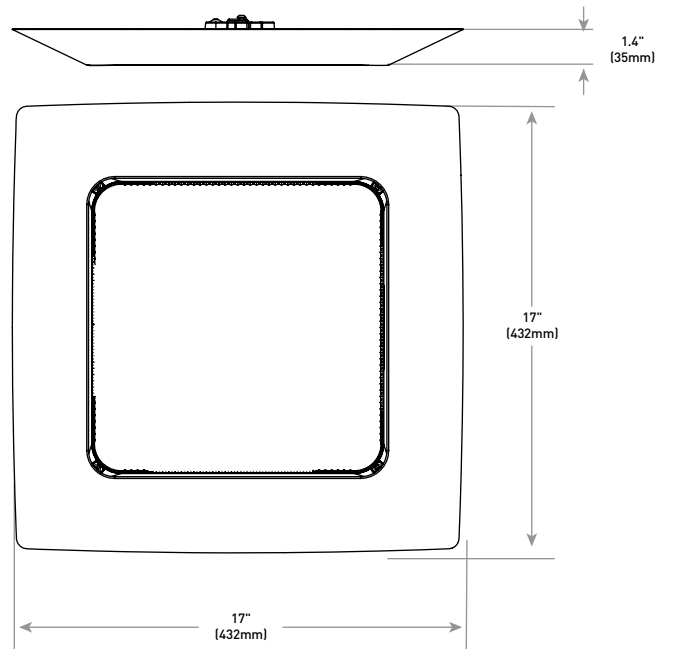
Q Option Power & Lumen Data – 20L Lumen Package										
Q Option Setting	Q9	Q8	Q7	Q6	Q5	Q4	Q3	Q2	Q1	
Input Watts (120-480V)	127W	121W	114W	110W	100W	92W	83W	74W	67W	
Lumen Values (Lambertian & Diffuse Lambertian)*										
CCT/CRI	30K (80CRI)	18,700	18,000	17,100	16,500	15,100	13,950	12,550	11,250	10,175
	40K/50K/57K (70 CRI)	20,900	20,100	19,100	18,400	16,800	15,600	13,975	12,550	11,350
	40K/50K (90 CRI)	15,700	15,100	14,350	13,800	12,600	11,675	10,500	9,425	8,525

* Also applies to luminaires with bezel accessories.

CP5 Light Engine w/Sparkle Bezel Accessory



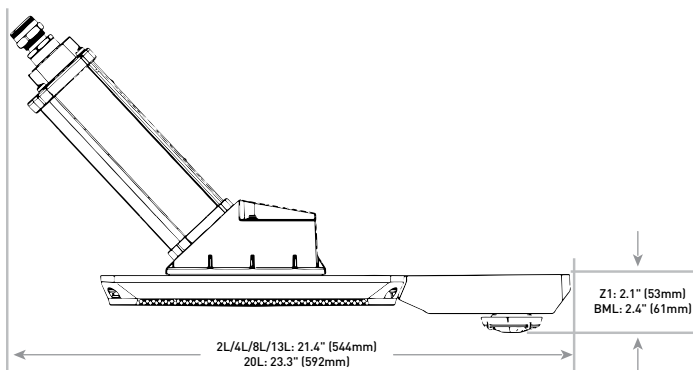
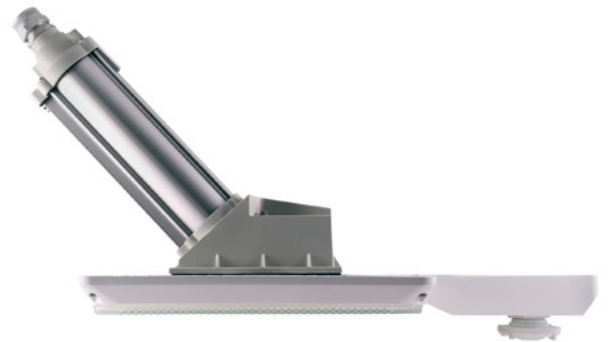
CP5 Light Engine w/Cut-off Bezel Accessory



CP5 w/Z1*



CP5 w/BML*



* Dimensions apply to CP5 w/BML control and CP5 w/Z1 option.

Light Engine Replacement Kits

CP5-LE						
Product	Lumen Package	CCT/CRI	Optic	Finish	Controls	Options
CP5-LE	2L 2,000 Lumens 4L 4,000 Lumens 8L 8,000 Lumens 13L 13,000 Lumens 20L 20,000 Lumens	30K8 3000K, 80 CRI 40K7 4000K, 70 CRI 40K9 4000K, 90 CRI 50K7 5000K, 70 CRI 50K9 5000K, 90 CRI 57K7 5700K, 70 CRI	DF Diffuse Lambertian (Frosted) LB Lambertian	BK Black BZ Bronze SV Silver WH White	BLANK For use with 10V dimming or Q9 controls BML Bluetooth® Technology Enabled Multi-Level Sensor	BLANK For use with no options, 10KV or HZ options Z1 Zhaga Book 18 Socket, bottom of luminaire

Driver Replacement Kits

CP5-DVRKIT				
Product	Lumen Package	Voltage	Controls	Options
CP5-DVRKIT	2L 2,000 Lumens 4L 4,000 Lumens 8L 8,000 Lumens 13L 13,000 Lumens 20L 20,000 Lumens	UL Universal 120-277V UH Universal 347-480V - Available only with 4L-20L lumen packages	BLANK For use with 10V and BLANK dimming controls BML Bluetooth® Technology Enabled Multi-Level Sensor - Not available with UH voltage Q9 Field Adjustable Output w/10V Dimming	BLANK For use with no options or HZ option 10KV 10kV/5kA Surge Suppression Protection - Not available with BML option as it is included when BML option is ordered Z1 Zhaga Book 18 Socket, bottom of luminaire - Available only with BLANK control option