

# OSQ Series

OSQ™ LED Area/Flood Luminaire featuring Patented NanoComfort™ Technology – Version C

Rev. Date: V7 11/01/2023

## Product Description

The OSQ™ Area/Flood luminaire blends extreme optical control, advanced thermal management and modern, clean aesthetics. Built to last, the housing is rugged cast aluminum with an integral, weathertight LED driver compartment. Versatile mounting configurations offer simple installation. Its slim, low-profile design minimizes wind load requirements and blends seamlessly into the site providing even, quality illumination. Medium is suitable upgrade for HID applications up to 400 Watts. Large is suitable upgrade for HID applications up to 1000 Watts. Extra Large is suitable upgrade for HID applications up to multiple 1000 Watts.

**Applications:** Parking lots, walkways, campuses, car dealerships, office complexes, pickleball courts, high-mast and internal roadways

## Performance Summary

Utilizes Patented NanoComfort™ Technology

Utilizes Cree TrueWhite® Technology on 5000K Luminaires

Assembled in the USA by Cree Lighting from US and imported parts

**Initial Delivered Lumens:** 4,000 - 85,000

**Efficacy:** Up to 171 LPW

**CRI:** Minimum 70 CRI (3000K, 4000K & 5700K); 90 CRI (5000K)

**CCT:** 3000K, 4000K, 5000K, 5700K

**Limited Warranty†:** 10 years for luminaire; 10 years for Colorfast DeltaGuard® finish; 5 years for BML sensor; up to 5 years for Synapse® accessories; 1 year for luminaire accessories

† See <http://creelighting.com/warranty> for warranty terms. For Synapse accessories, consult Synapse spec sheets for details on warranty terms.

## Ordering Information

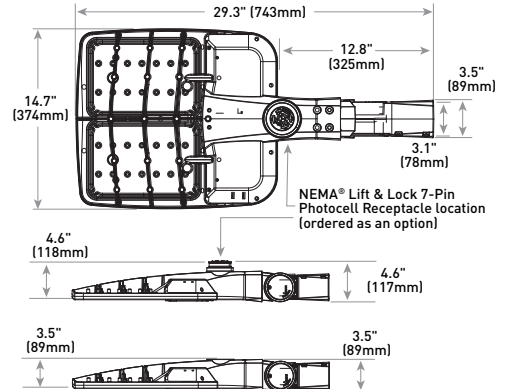
Fully assembled luminaire is composed of two components that must be ordered separately:

Example: **Mount:** OSQ-ML-C-AA-BK + **Luminaire:** OSQM-C-4L-30K7-2M-UL-NM-BK

Mount (Luminaire must be ordered separately)*			
<b>OSQ-</b>			
<b>Medium/Large Mounts</b>	<b>Extra Large Mounts</b>	<b>Color Options:</b>	
OSQ-ML-C-AA Adjustable Arm	OSQ-X-C-AA Adjustable Arm	SV Silver	BZ Bronze
OSQ-ML-C-DA Direct Arm	OSQ-X-C-DA Direct Arm	BK Black	WH White
OSQ-ML-C-TM Trunnion Mount			

\* Reference fixture mounting drill pattern, EPA, and pole configuration suitability data beginning on page 14.

## OSQM - AA Mount



Luminaire	Weight
OSQM	19.3 lbs. (8.8kg)

Note: For OSQL, OSQX and additional mounts, refer to drawings on page 27.

Luminaire (Mount must be ordered separately)										
OSQ	C									
Family	Size	Series	Lumen Package†	CCT/ CRI	Optic	Voltage	Mount	Color Options	Controls*	Options
OSQ	M Medium L Large X Extra Large	C	<b>Medium</b>	<b>30K7</b> 3000K 70 CRI	<b>2M</b> Type II Mid	<b>UL</b> Universal 120-277V <b>UH</b> Universal 347-480V - Not available with 4L, 40L, 75L or 85L lumen packages <b>UE</b> Universal 277-480V - Available only with 40L, 75L and 85L lumen packages	<b>NM</b> No Mount - Must specify mount from table above - Mount ships separately	<b>BK</b> Black <b>BZ</b> Bronze <b>SV</b> Silver <b>WH</b> White	<b>BML</b> <b>Bluetooth® Technology Enabled Multi-Level Sensor</b> - Utilizes a multifunction sensor - Refer to <a href="#">BML spec sheet</a> for details - 20-40° sensor lens installed on luminaire; 8-20° sensor lens and aisle shroud included - Intended for downlight applications at 0° tilt - Not available with Q or X options or Synapse TL7-HVG accessory <b>Q9/Q8/Q7/Q6/Q5/Q4/Q3/Q2/Q1</b> <b>Field Adjustable Output</b> - Must select Q9, Q8, Q7, Q6, Q5, Q4, Q3, Q2, or Q1 - Offers full range adjustability - Refer to pages 15-26 for power and lumen values - Not available with BML or X options or Synapse TL7-HVG accessory <b>X8/X7/X6/X5/X4/X3/X2/X1</b> <b>Locked Lumen Output</b> - Must select X8, X7, X6, X5, X4, X3, X2, or X1 - Not available with BML or Q options - X1 option not available with the following lumen package/voltage offerings: 9L/UL, 16L/UL, 16L/UH, 30L/UL, 30L/UH, 65L/UL, 65L/UH - X2 option not available 9L/UL lumen package/voltage - Lumen output is permanently locked to the setting selected - Refer to pages 15-26 for power and lumen values	<b>20KV</b> <b>20kV/10kA Surge Suppression</b> - Replaces standard 10kV/5kA surge protection <b>F</b> <b>Fuse</b> - Compatible with 120V, 277V or 347V (phase to neutral) - Consult factory if fusing is required for 208V, 240V or 480V (phase to phase) - When code dictates fusing, use time delay fuse <b>N</b> <b>Utility Label and NEMA® Lift &amp; Lock 7-Pin Photocell Receptacle</b> - External utility label per ANSI C136.15-2020 - 7-pin receptacle per ANSI C136.41 - Intended for downlight applications with maximum 45° tilt - Factory connected 0-10V dim leads - Requires photocell or shorting cap by others <b>R</b> <b>NEMA® Lift &amp; Lock 7-Pin Photocell Receptacle</b> - 7-pin receptacle per ANSI C136.41 - Intended for downlight applications with maximum 45° tilt - Factory connected 0-10V dim leads - Requires photocell or shorting cap by others - Refer to page 2 for compatible Synapse control offerings <b>RL</b> <b>Rotate Left</b> - LED and optic are rotated to the left - Refer to RR/RL configuration diagram on page 27 for optic directionality - Not for use with symmetric optics <b>RR</b> <b>Rotate Right</b> - LED and optic are rotated to the right - Refer to RR/RL configuration diagram on page 27 for optic directionality - Not for use with symmetric optics
			<b>4L</b> 4,000 Lumens	<b>4B**</b> Type IV Mid w/Factory-Installed Backlight Shield - Available with all lumen packages except 85L	<b>33</b> NEMA® 3x3					
			<b>6L</b> 6,000 Lumens	<b>2B**</b> Type II Mid w/ Factory-Installed Backlight Shield - Available with all lumen packages except 85L	<b>44</b> NEMA® 4x4					
			<b>9L</b> 9,000 Lumens	<b>AF</b> Automotive FrontlineOptic™	<b>55</b> NEMA® 5x5					
			<b>11L</b> 11,000 Lumens	<b>3M</b> Type III Mid	<b>66</b> NEMA® 6x6					
			<b>16L</b> 16,000 Lumens	<b>3B**</b> Type III Mid w/ Factory-Installed Backlight Shield - Available with all lumen packages except 85L	<b>75</b> NEMA® 7x5					
			<b>22L</b> 22,000 Lumens	<b>4M</b> Type IV Mid						
			<b>30L</b> 30,000 Lumens							
			<b>40L</b> 40,000 Lumens							
			<b>50L</b> 50,000 Lumens							
			<b>65L</b> 65,000 Lumens							
			<b>75L</b> 75,000 Lumens							
<b>85L</b> 85,000 Lumens										

† Lumen Package codes identify approximate light output only. Actual lumen output levels vary by CCT and optic selection. Refer to Initial Delivered Lumen tables for specific lumen values.

\* Luminaire comes standard with 0-10V dimming.

\*\* Factory-installed backlight shields are integral to luminaire optic and may not be removed in the field. For field-install backlight control, please refer to the External Backlight Shields in the accessory table on page 2.



**CREE LIGHTING®**

US: [creelighting.com](http://creelighting.com) (800) 236-6800

Canada: [creelighting-canada.com](http://creelighting-canada.com) (800) 473-1234

**Product Specifications**

**CREE LIGHTING NANOCOMFORT™ TECHNOLOGY**

Cree Lighting's NanoComfort™ Technology ends the trade-offs in outdoor lighting by providing superior glare reduction and visual comfort in high-efficiency illumination delivered precisely where it is needed. The basic building block of NanoComfort™ Technology is a compact 4x4 array of LEDs. Each of the 16 LEDs in a module is in contact with its own acrylic polymer lens to capture and precisely direct light. With NanoComfort™ Technology, the acrylic optics are cut and sculpted into facets that relieve the glare and harshness while improving visual comfort – all while retaining superb efficacy and control.

**CREE TRUEWHITE® TECHNOLOGY**

A revolutionary way to generate high-quality white light, Cree TrueWhite® Technology is a patented approach that delivers an exclusive combination of 90+ CRI, beautiful light characteristics and lifelong color consistency, all while maintaining high luminous efficacy – a true no compromise solution.

**CONSTRUCTION & MATERIALS**

- Slim, low profile design minimizes wind load requirements
- Luminaire housing is rugged die cast aluminum with an integral, weathertight LED driver compartment and high-performance heat sink
- Acrylic optic w/clear tempered glass lens
- Some versions are provided with full circuit board, but not fully populated with LEDs or optics to scale back lumen package
- Convenient interlocking mounting method on direct arm. Mounting adaptor is rugged die cast aluminum and mounts to 3" (76mm) or larger square or round pole, secured by two 5/16-18 UNC bolts spaced on 2" (51mm) centers. Refer to page 14 for fixture mounting drill patterns
- Adjustable arm mount adapters are rugged die cast aluminum
- OSQ-ML-C-AA mounts to a horizontal or vertical 2" (51mm) IP, 2.375" (60mm) O.D. tenon and can be adjusted 180° in 2.5° increments
- OSQ-X-C-AA mounts to a horizontal or vertical 2" (51mm) IP, 2.375-2.50" (60-64mm) O.D. steel tenon and can be adjusted 180° in 5.0° increments. **NOTE: Tenon length must be a minimum of 3.75" (95mm), and tenon must be steel**
- Trunnion mount is constructed of A500 and A1011 steel and is adjustable from 0-180° in 15° degree increments. Trunnion mount secures to surface with (1) 3/4" bolt or (2) 1/2" or 3/8" bolts
- Luminaires include 15" (381mm) 18/5 cord exiting the luminaire
- Designed for uplight and downlight applications. Uplight orientation not suitable for use with N or R options
- Exclusive Colorfast DeltaGuard® finish features an E-Coat epoxy primer with an ultra-durable powder topcoat, providing excellent resistance to corrosion, ultraviolet degradation and abrasion. Silver, bronze, black, and white are available

Weight			
Mount	Housing Size		
	Medium	Large	Extra Large
Direct Arm	19.7 lbs. (8.9kg)	28.8 lbs. (13.1kg)	45.8 lbs. (20.8kg)
Adjustable Arm	19.3 lbs. (8.8kg)	28.4 lbs. (12.9kg)	48.6 lbs. (22.0kg)
Trunnion	23.2 lbs. (10.5kg)	32.3 lbs. (14.7kg)	N/A

For BML sensor add 0.1 lbs. (45g), and for NEMA receptacle, add 0.3 lbs. (136g).

**ELECTRICAL SYSTEM**

- **Input Voltage:** 120-277V, 277-480V or 347-480V, 50/60Hz, Class 1 drivers
- **Power Factor:** > 0.9 at full load
- **Total Harmonic Distortion:** < 20% at full load
- Integral 10kV/5kA surge suppression protection standard; 20kV/10kA surge suppression protection optional
- When code dictates fusing, a slow blow fuse or type C/D breaker should be used to address inrush current
- Designed with 0-10V dimming capabilities. Dims to 10%. Controls by others
- 0-10V dimming per ANSI C137.1-2019 (8-Volt or 9-Volt per power level/options selected)
- Refer to [Dimming spec sheet](#) for details
- **Maximum 10V Source Current:** 1.8mA
- **Operating Temperature Range:** -40°C - +40°C (-40°F - +104°F)

**REGULATORY & VOLUNTARY QUALIFICATIONS**

- cULus Listed (UL1598)
- Suitable for wet locations
- Meets NEMA C82.77 standards
- Drivers and LEDs are UL certified in accordance with UL8750
- Meets requirements of IP66 per IEC 60529 when ordered without N or R options
- Certified to ANSI C136.31-2018, 3G bridge and overpass vibration standards
- ANSI C136.2 10kV/5kA (standard) and 20kV/10kA (optional) surge suppression protection tested in accordance with IEEE/ANSI C62.41.2
- Meets FCC Part 15, Subpart B, Class A limits for conducted and radiated emissions
- Luminaire and finish endurance tested to withstand 5,000 hours of elevated ambient salt fog conditions as defined in ASTM Standard B 117
- Lens meets IK07 requirements per IEC 60068-2
- Assembled in the USA by Cree Lighting from US and imported parts
- Meets Buy American requirements within ARRA
- RoHS compliant. Consult factory for additional details
- Dark Sky Friendly, IDA Approved when ordered with 30K CCT and direct arm mount only. Please refer to <https://darksky.org/what-we-do/darksky-approved/products-companies/#/~/search/keyword=cree> for most current information
- DLC and DLC Premium qualified SKUs available. Exceptions apply when 2B, 3B, 4B & 4B optics are selected. Please refer to <https://qpl.designlights.org/solid-state-lighting> for most current information
- DLC Luna qualified when ordered with direct arm mount and 30K7 CCT. Please refer to <https://qpl.designlights.org/solid-state-lighting> for most current information
- **CA RESIDENTS WARNING:** Cancer and Reproductive Harm – [www.p65warnings.ca.gov](http://www.p65warnings.ca.gov)

**Product Specifications**

**SYNAPSE® SIMPLYSNAP INTELLIGENT CONTROL**

The Synapse SimplySNAP platform is a highly intuitive connected lighting solution featuring zone dimming, motion sensing, and daylight harvesting with utility-grade power monitoring and support of up to 1000 nodes per gateway. The system features a reliable and robust self-healing mesh network with a browser-based interface that runs on smartphones, tablets, and PCs. The Twist-Lock Lighting Controller (TL7-HVG) and Site Controller (SS450-002) take the OSQ Series to a new performance plateau, providing extreme energy productivity, code compliance and a better light experience.

Synapse Wireless Control Accessories	
<b>Twist-Lock Lighting Controller</b> TL7-HVG - Suitable for 120-480V (UL, UE and UH) voltages - Requires NEMA/ANSI C136.41 7-Pin Dimming Receptacle - Not for use with BML or Q options - Provides On/Off switching, dimming, power metering, digital sensor input, and status monitoring of luminaire - Refer to <a href="#">TL7-HVG spec sheet</a> for details <b>SimplySNAP Central Base Station</b> CBS5W-450-002 - Includes On-Site Controller (SS450-002) and 5-button switch - Indoor and Outdoor rated - Refer to <a href="#">CBS5W-450-002 spec sheet</a> for details	<b>Synapse Wireless Sensor</b> WSN-DPM - Motion and light sensor - Control multiple zones - Refer to <a href="#">WSN-DPM spec sheet</a> for details <b>SimplySNAP On-Site Controller</b> SS450-002 - Verizon® LTE-enabled - Designed for indoor applications - Refer to <a href="#">SS450-002 spec sheet</a> for details <b>Building Management System (BMS) Gateway</b> BMS-GW-002 - Required for BACnet integration - Refer to <a href="#">BMS-GW-002 spec sheet</a> for details <b>Outdoor Antennas (Optional, for increased range, 8dB gain)</b> KIT-ANT420SM - Kit includes antenna, 20' cable and bracket KIT-ANT360 - Kit includes antenna, 30' cable and bracket KIT-ANT600 - Kit includes antenna, 50' cable and bracket - Refer to <a href="#">Outdoor antenna spec sheet</a> for details

Electrical Data*								
Lumen Package	System Watts 120-480V	Utility Label Wattage	Total Current (A)					
			120V	208V	240V	277V	347V	480V
4L**	26	30	0.21	0.12	0.11	0.09	N/A	N/A
6L	37	40	0.31	0.18	0.15	0.13	0.11	0.08
9L	55	60	0.46	0.27	0.23	0.20	0.16	0.12
11L	68	70	0.57	0.33	0.28	0.25	0.20	0.14
16L	97	100	0.81	0.47	0.40	0.35	0.28	0.20
22L	131	130	1.09	0.63	0.55	0.47	0.38	0.27
30L	175	180	1.46	0.84	0.73	0.63	0.50	0.36
40L	236	240	1.96	1.13	0.98	0.85	0.68	0.49
50L	297	N/A	2.48	1.43	1.24	1.07	0.86	0.62
65L	384	N/A	3.20	1.85	1.60	1.39	1.11	0.80
75L	447	N/A	3.73	2.15	1.86	1.61	1.29	0.93
85L	520	N/A	4.34	2.50	2.17	1.88	1.50	0.93

\* Electrical data at 25°C (77°F). Actual wattage may differ by +/- 10% when operating between 120-277V, 277-480V or 347-480V +/- 10%.  
 \*\* Available with UL voltage only.

OSQ-C Series Ambient Adjusted Lumen Maintenance <sup>1</sup>						
Ambient	Initial LMF	25K hr Reported <sup>2</sup> LMF	50K hr Reported <sup>2</sup> LMF	75K hr Reported <sup>2</sup> LMF	100K hr Reported <sup>2</sup> LMF	
5°C (41°F)	1.02	0.99	0.93	0.88	0.83	
10°C (50°F)	1.02	0.98	0.93	0.87	0.82	
15°C (59°F)	1.01	0.98	0.92	0.87	0.82	
20°C (68°F)	1.01	0.97	0.92	0.86	0.81	
25°C (77°F)	1.00	0.97	0.91	0.86	0.81	

<sup>1</sup> Lumen maintenance values at 25°C (77°F) are calculated per IES TM-21 based on IES LM-80 report data for the LED package and in-situ luminaire testing. Luminaire ambient temperature factors (LATF) have been applied to all lumen maintenance factors. Please refer to the [Temperature Zone Reference Document](#) for outdoor average nighttime ambient conditions.  
<sup>2</sup> In accordance with IES TM-21, Reported values represent interpolated values based on time durations that are up to 6x the tested duration in the IES LM-80 report for the LED.

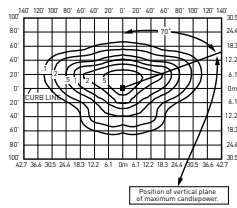
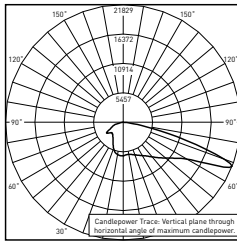
**Accessories**

Field-Installed	
<b>External Backlight Shield</b> OSQ-M-C-BLSF (Medium) OSQ-L-C-BLSF (Large) OSQ-X-C-BLSF (Extra Large) - Not for use with rotated optics <b>Bird Spikes</b> OSQ-M-C-BRDSPK OSQ-L-C-BRDSPK OSQ-X-C-BRDSPK	<b>Shorting Cap</b> XA-XLSLSHRT

**Photometry**

All published luminaire photometric testing performed to IES LM-79 standards. To obtain an IES file specific to your project consult: <https://creelighting.com/products/outdoor/area/osq-series>

**2M**



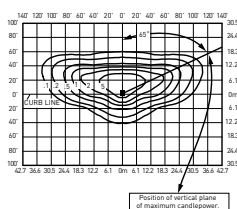
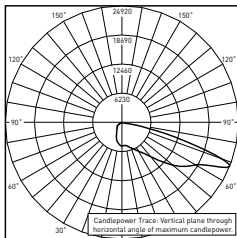
**RESTL Test Report #:** PL17910-001A  
 Configured  
 OSQ-C-30L-30K7-2M-UL-xx-xx-xx  
**Initial Delivered Lumens:** 27,400

**OSQL-C-30L-30K7-2M-UL**  
**Mounting Height:** 25' (7.6m) A.F.G.  
**Initial Delivered Lumens:** 27,400  
 Initial FC at grade

Type II Mid Distribution								
Lumen Package	3000K (70 CRI)		4000K (70 CRI)		5000K (90 CRI)		5700K (70 CRI)	
	Initial Delivered Lumens*	BUG Ratings** Per TM-15-20	Initial Delivered Lumens*	BUG Ratings** Per TM-15-20	Initial Delivered Lumens*	BUG Ratings** Per TM-15-20	Initial Delivered Lumens*	BUG Ratings** Per TM-15-20
4L	3,650	B1 U0 G1	3,800	B1 U0 G1	2,810	B1 U0 G1	3,800	B1 U0 G1
6L	5,475	B1 U0 G1	5,700	B1 U0 G1	4,220	B1 U0 G1	5,700	B1 U0 G1
9L	8,225	B2 U0 G2	8,550	B2 U0 G2	6,325	B2 U0 G2	8,550	B2 U0 G2
11L	10,025	B2 U0 G2	10,450	B2 U0 G2	7,750	B2 U0 G2	10,450	B2 U0 G2
16L	14,650	B3 U0 G3	15,200	B3 U0 G3	11,275	B2 U0 G2	15,200	B3 U0 G3
22L	20,100	B3 U0 G3	20,900	B3 U0 G3	15,500	B3 U0 G3	20,900	B3 U0 G3
30L	27,400	B3 U0 G3	28,500	B3 U0 G3	21,100	B3 U0 G3	28,500	B3 U0 G3
40L	36,500	B4 U0 G4	38,000	B4 U0 G4	28,100	B3 U0 G3	38,000	B4 U0 G4
50L	45,600	B4 U0 G4	47,500	B4 U0 G4	35,200	B3 U0 G3	47,500	B4 U0 G4
65L	59,300	B4 U0 G5	61,800	B4 U0 G5	45,700	B4 U0 G4	61,800	B4 U0 G5
75L	68,400	B5 U0 G5	71,300	B5 U0 G5	52,800	B4 U0 G4	71,300	B5 U0 G5
85L	77,600	B5 U0 G5	80,800	B5 U0 G5	59,800	B4 U0 G5	80,800	B5 U0 G5

\* Initial delivered lumens at 25°C (77°F). Actual production yield may vary between -10 and +10% of initial delivered lumens  
 \*\* For more information on the IES BUG (Backlight-Uplight-Glare) Rating visit: <https://www.ies.org/wp-content/uploads/2017/03/TM-15-11BUGRatingsAddendum.pdf>. Valid with no tilt

**2B**



**RESTL Test Report #:** PL17977-001A  
 OSQ-C-40L-30K7-2B-UL-xx-xx-xx  
**Initial Delivered Lumens:** 25,560

**OSQL-C-40L-30K7-2B-UL**  
**Mounting Height:** 25' (7.6m) A.F.G.  
**Initial Delivered Lumens:** 25,100  
 Initial FC at grade

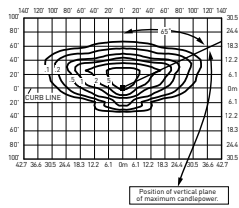
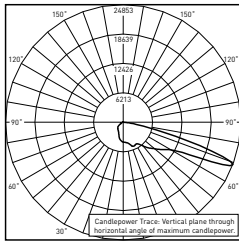
Type II Mid w/BLS Distribution (factory-installed)								
Lumen Package	3000K (70 CRI)		4000K (70 CRI)		5000K (90 CRI)		5700K (70 CRI)	
	Initial Delivered Lumens*	BUG Ratings** Per TM-15-20	Initial Delivered Lumens*	BUG Ratings** Per TM-15-20	Initial Delivered Lumens*	BUG Ratings** Per TM-15-20	Initial Delivered Lumens*	BUG Ratings** Per TM-15-20
4L	2,510	B1 U0 G1	2,620	B1 U0 G1	1,940	B0 U0 G1	2,620	B1 U0 G1
6L	3,760	B1 U0 G1	3,920	B1 U0 G1	2,900	B1 U0 G1	3,920	B1 U0 G1
9L	5,650	B1 U0 G1	5,875	B1 U0 G1	4,350	B1 U0 G1	5,875	B1 U0 G1
11L	6,900	B1 U0 G1	7,200	B1 U0 G2	5,325	B1 U0 G2	7,200	B1 U0 G2
16L	10,075	B1 U0 G2	10,450	B2 U0 G2	7,750	B1 U0 G2	10,450	B2 U0 G2
22L	13,800	B2 U0 G2	14,375	B2 U0 G2	10,650	B2 U0 G2	14,375	B2 U0 G2
30L	18,800	B2 U0 G2	19,600	B2 U0 G3	14,525	B2 U0 G2	19,600	B2 U0 G3
40L	25,100	B3 U0 G3	26,200	B3 U0 G3	19,400	B2 U0 G2	26,200	B3 U0 G3
50L	31,400	B3 U0 G4	32,700	B3 U0 G4	24,200	B3 U0 G3	32,700	B3 U0 G4
65L	40,800	B3 U0 G4	42,500	B3 U0 G4	31,500	B3 U0 G4	42,500	B3 U0 G4
75L	47,100	B3 U0 G5	49,000	B3 U0 G5	36,300	B3 U0 G4	49,000	B3 U0 G5

\* Initial delivered lumens at 25°C (77°F). Actual production yield may vary between -10 and +10% of initial delivered lumens  
 \*\* For more information on the IES BUG (Backlight-Uplight-Glare) Rating visit: <https://www.ies.org/wp-content/uploads/2017/03/TM-15-11BUGRatingsAddendum.pdf>. Valid with no tilt

**Photometry**

All published luminaire photometric testing performed to IES LM-79 standards. To obtain an IES file specific to your project consult: <https://creelighting.com/products/outdoor/area/osq-series>

**2M W/OSQ-\*-C-BLSF**



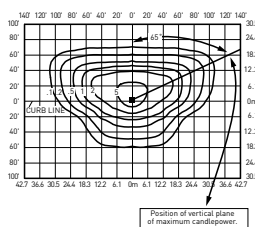
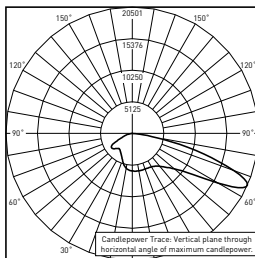
**RESTL Test Report#:** PL17978-001B  
 OSQ-L-C-40L-30K7-2M-UL-xx-xx-xx w/  
 OSQ-L-C-BLSF  
**Initial Delivered Lumens:** 21,978

**OSQ-L-C-40L-30K7-2M-UL w/OSQ-L-C-BLSF**  
**Mounting Height:** 25' (7.6m) A.F.G.  
**Initial Delivered Lumens:** 21,000  
**Initial FC** at grade

Type II Mid Distribution w/OSQ-*-C-BLSF (field-installed)								
Lumen Package	3000K (70 CRI)		4000K (70 CRI)		5000K (90 CRI)		5700K (70 CRI)	
	Initial Delivered Lumens*	BUG Ratings** Per TM-15-20	Initial Delivered Lumens*	BUG Ratings** Per TM-15-20	Initial Delivered Lumens*	BUG Ratings** Per TM-15-20	Initial Delivered Lumens*	BUG Ratings** Per TM-15-20
4L	2,100	B0 U0 G1	2,180	B0 U0 G1	1,610	B0 U0 G1	2,180	B0 U0 G1
6L	3,140	B1 U0 G1	3,270	B1 U0 G1	2,420	B1 U0 G1	3,270	B1 U0 G1
9L	4,720	B1 U0 G1	4,910	B1 U0 G1	3,630	B1 U0 G1	4,910	B1 U0 G1
11L	5,750	B1 U0 G1	6,000	B1 U0 G1	4,450	B1 U0 G1	6,000	B1 U0 G1
16L	8,400	B1 U0 G2	8,725	B1 U0 G2	6,475	B1 U0 G2	8,725	B1 U0 G2
22L	11,550	B2 U0 G2	12,000	B2 U0 G2	8,900	B1 U0 G2	12,000	B2 U0 G2
30L	15,700	B2 U0 G3	16,400	B2 U0 G3	12,100	B2 U0 G2	16,400	B2 U0 G3
40L	21,000	B3 U0 G3	21,800	B3 U0 G3	16,100	B2 U0 G3	21,800	B3 U0 G3
50L	26,200	B3 U0 G4	27,300	B3 U0 G4	20,200	B3 U0 G3	27,300	B3 U0 G4
65L	34,000	B3 U0 G4	35,500	B3 U0 G4	26,200	B3 U0 G4	35,500	B3 U0 G4
75L	39,300	B3 U0 G4	40,900	B3 U0 G4	30,300	B3 U0 G4	40,900	B3 U0 G4
85L	44,500	B3 U0 G5	46,400	B4 U0 G4	34,300	B3 U0 G5	46,400	B3 U0 G5

\* Initial delivered lumens at 25°C (77°F). Actual production yield may vary between -10 and +10% of initial delivered lumens  
 \*\* For more information on the IES BUG (Backlight-Uplight-Glare) Rating visit: <https://www.ies.org/wp-content/uploads/2017/03/TM-15-11BUGRatingsAddendum.pdf>. Valid with no tilt

**3M**



**RESTL Test Report #:** PL17882-001A  
 Configured  
 OSQ-L-C-30L-30K7-3M-UL-xx-xx-xx  
**Initial Delivered Lumens:** 27,400

**OSQ-L-C-30L-30K7-3M-UL**  
**Mounting Height:** 25' (7.6m) A.F.G.  
**Initial Delivered Lumens:** 27,400  
**Initial FC** at grade

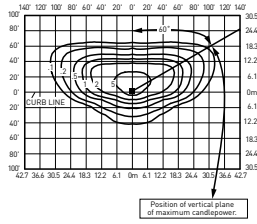
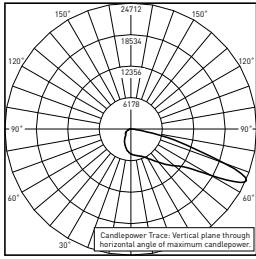
Type III Mid Distribution								
Lumen Package	3000K (70 CRI)		4000K (70 CRI)		5000K (90 CRI)		5700K (70 CRI)	
	Initial Delivered Lumens*	BUG Ratings** Per TM-15-20	Initial Delivered Lumens*	BUG Ratings** Per TM-15-20	Initial Delivered Lumens*	BUG Ratings** Per TM-15-20	Initial Delivered Lumens*	BUG Ratings** Per TM-15-20
4L	3,650	B1 U0 G1	3,800	B1 U0 G1	2,810	B1 U0 G1	3,800	B1 U0 G1
6L	5,475	B1 U0 G1	5,700	B1 U0 G1	4,220	B1 U0 G1	5,700	B1 U0 G1
9L	8,225	B2 U0 G2	8,550	B2 U0 G2	6,325	B1 U0 G1	8,550	B2 U0 G2
11L	10,025	B2 U0 G2	10,450	B2 U0 G2	7,750	B2 U0 G2	10,450	B2 U0 G2
16L	14,650	B3 U0 G3	15,200	B3 U0 G3	11,275	B2 U0 G2	15,200	B3 U0 G3
22L	20,100	B3 U0 G3	20,900	B3 U0 G3	15,500	B3 U0 G3	20,900	B3 U0 G3
30L	27,400	B3 U0 G4	28,500	B3 U0 G4	21,100	B3 U0 G3	28,500	B3 U0 G4
40L	36,500	B4 U0 G4	38,000	B4 U0 G4	28,100	B3 U0 G4	38,000	B4 U0 G4
50L	45,600	B4 U0 G5	47,500	B4 U0 G5	35,200	B3 U0 G4	47,500	B4 U0 G5
65L	59,300	B4 U0 G5	61,800	B4 U0 G5	45,700	B4 U0 G5	61,800	B4 U0 G5
75L	68,400	B4 U0 G5	71,300	B5 U0 G5	52,800	B4 U0 G5	71,300	B5 U0 G5
85L	77,600	B5 U0 G5	80,800	B5 U0 G5	59,800	B4 U0 G5	80,800	B5 U0 G5

\* Initial delivered lumens at 25°C (77°F). Actual production yield may vary between -10 and +10% of initial delivered lumens  
 \*\* For more information on the IES BUG (Backlight-Uplight-Glare) Rating visit: <https://www.ies.org/wp-content/uploads/2017/03/TM-15-11BUGRatingsAddendum.pdf>. Valid with no tilt

**Photometry**

All published luminaire photometric testing performed to IES LM-79 standards. To obtain an IES file specific to your project consult: <https://creelighting.com/products/outdoor/area/osq-series>

**3B**



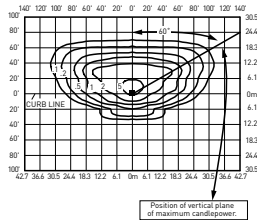
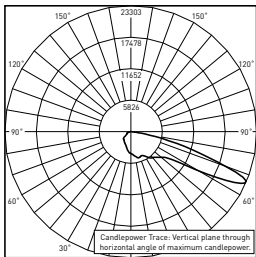
RESSL Test Report #: PL17975-001A  
OSQL-C-40L-30K7-3B-UL-xx-xx-xx  
Initial Delivered Lumens: 25,199

OSQL-C-40L-30K7-3B-UL  
Mounting Height: 25' (7.6m) A.F.G.  
Initial Delivered Lumens: 25,100  
Initial FC at grade

Type III Mid w/BLS Distribution (factory-installed)								
Lumen Package	3000K (70 CRI)		4000K (70 CRI)		5000K (90 CRI)		5700K (70 CRI)	
	Initial Delivered Lumens*	BUG Ratings** Per TM-15-20	Initial Delivered Lumens*	BUG Ratings** Per TM-15-20	Initial Delivered Lumens*	BUG Ratings** Per TM-15-20	Initial Delivered Lumens*	BUG Ratings** Per TM-15-20
4L	2,510	B1 U0 G1	2,620	B1 U0 G1	1,940	B0 U0 G1	2,620	B1 U0 G1
6L	3,760	B1 U0 G1	3,920	B1 U0 G1	2,900	B1 U0 G1	3,920	B1 U0 G1
9L	5,650	B1 U0 G1	5,875	B1 U0 G2	4,350	B1 U0 G1	5,875	B1 U0 G2
11L	6,900	B1 U0 G2	7,200	B1 U0 G2	5,325	B1 U0 G1	7,200	B1 U0 G2
16L	10,075	B2 U0 G2	10,450	B2 U0 G2	7,750	B1 U0 G2	10,450	B2 U0 G2
22L	13,800	B2 U0 G2	14,375	B2 U0 G2	10,650	B2 U0 G2	14,375	B2 U0 G2
30L	18,800	B2 U0 G3	19,600	B2 U0 G3	14,525	B2 U0 G2	19,600	B2 U0 G3
40L	25,100	B3 U0 G4	26,200	B3 U0 G4	19,400	B2 U0 G3	26,200	B3 U0 G4
50L	31,400	B3 U0 G4	32,700	B3 U0 G4	24,200	B3 U0 G3	32,700	B3 U0 G4
65L	40,800	B3 U0 G5	42,500	B3 U0 G5	31,500	B3 U0 G4	42,500	B3 U0 G5
75L	47,100	B3 U0 G5	49,000	B3 U0 G5	36,300	B3 U0 G4	49,000	B3 U0 G5

\* Initial delivered lumens at 25°C (77°F). Actual production yield may vary between -10 and +10% of initial delivered lumens  
\*\* For more information on the IES BUG (Backlight-Uplight-Glare) Rating visit: <https://www.ies.org/wp-content/uploads/2017/03/TM-15-11BUGRatingsAddendum.pdf>. Valid with no tilt

**3M W/OSQ\*-C-BLSF**



RESSL Test Report#: PL17976-001A  
OSQL-C-40L-30K7-3M-UL-xx-xx-xx w/  
OSQ-L-C-BLSF  
Initial Delivered Lumens: 22,081

OSQL-C-40L-30K7-3M-UL w/OSQ-L-C-BLSF  
Mounting Height: 25' (7.6m) A.F.G.  
Initial Delivered Lumens: 21,000  
Initial FC at grade

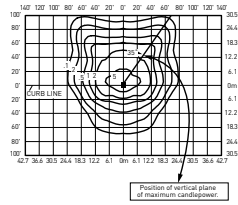
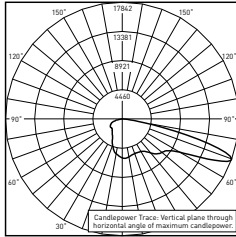
Type III Mid Distribution w/OSQ*-C-BLSF (field-installed)								
Lumen Package	3000K (70 CRI)		4000K (70 CRI)		5000K (90 CRI)		5700K (70 CRI)	
	Initial Delivered Lumens*	BUG Ratings** Per TM-15-20	Initial Delivered Lumens*	BUG Ratings** Per TM-15-20	Initial Delivered Lumens*	BUG Ratings** Per TM-15-20	Initial Delivered Lumens*	BUG Ratings** Per TM-15-20
4L	2,100	B0 U0 G1	2,180	B0 U0 G1	1,610	B0 U0 G1	2,180	B0 U0 G1
6L	3,140	B1 U0 G1	3,270	B1 U0 G1	2,420	B1 U0 G1	3,270	B1 U0 G1
9L	4,720	B1 U0 G1	4,910	B1 U0 G1	3,630	B1 U0 G1	4,910	B1 U0 G1
11L	5,750	B1 U0 G2	6,000	B1 U0 G2	4,450	B1 U0 G1	6,000	B1 U0 G2
16L	8,400	B1 U0 G2	8,725	B1 U0 G2	6,475	B1 U0 G2	8,725	B1 U0 G2
22L	11,550	B2 U0 G2	12,000	B2 U0 G2	8,900	B1 U0 G2	12,000	B2 U0 G2
30L	15,700	B2 U0 G3	16,400	B2 U0 G3	12,100	B2 U0 G2	16,400	B2 U0 G3
40L	21,000	B2 U0 G3	21,800	B2 U0 G3	16,100	B2 U0 G3	21,800	B2 U0 G3
50L	26,200	B3 U0 G4	27,300	B3 U0 G4	20,200	B2 U0 G3	27,300	B3 U0 G4
65L	34,000	B3 U0 G4	35,500	B3 U0 G5	26,200	B3 U0 G4	35,500	B3 U0 G5
75L	39,300	B3 U0 G5	40,900	B3 U0 G5	30,300	B3 U0 G4	40,900	B3 U0 G5
85L	44,500	B3 U0 G5	46,400	B3 U0 G5	34,300	B3 U0 G4	46,400	B3 U0 G5

\* Initial delivered lumens at 25°C (77°F). Actual production yield may vary between -10 and +10% of initial delivered lumens  
\*\* For more information on the IES BUG (Backlight-Uplight-Glare) Rating visit: <https://www.ies.org/wp-content/uploads/2017/03/TM-15-11BUGRatingsAddendum.pdf>. Valid with no tilt

**Photometry**

All published luminaire photometric testing performed to IES LM-79 standards. To obtain an IES file specific to your project consult: <https://creelighting.com/products/outdoor/area/osq-series>

**4M**



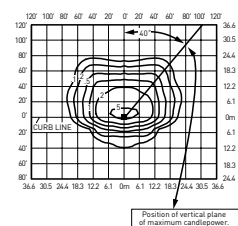
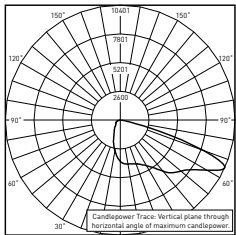
**RETL Test Report #: PL17908-001A**  
 Configured  
 OSQ-C-30L-30K7-4M-UL-xx-xx-xx  
 Initial Delivered Lumens: 27,400

**OSQ-C-30L-30K7-4M-UL**  
**Mounting Height:** 25' (7.6m) A.F.G.  
**Initial Delivered Lumens:** 27,400  
 Initial FC at grade

Type IV Mid Distribution								
Lumen Package	3000K (70 CRI)		4000K (70 CRI)		5000K (90 CRI)		5700K (70 CRI)	
	Initial Delivered Lumens*	BUG Ratings** Per TM-15-20	Initial Delivered Lumens*	BUG Ratings** Per TM-15-20	Initial Delivered Lumens*	BUG Ratings** Per TM-15-20	Initial Delivered Lumens*	BUG Ratings** Per TM-15-20
4L	3,650	B1 U0 G1	3,800	B1 U0 G1	2,810	B1 U0 G1	3,800	B1 U0 G1
6L	5,475	B1 U0 G1	5,700	B1 U0 G1	4,220	B1 U0 G1	5,700	B1 U0 G1
9L	8,225	B2 U0 G2	8,550	B2 U0 G2	6,325	B1 U0 G1	8,550	B2 U0 G2
11L	10,025	B2 U0 G2	10,450	B2 U0 G2	7,750	B2 U0 G2	10,450	B2 U0 G2
16L	14,650	B3 U0 G2	15,200	B3 U0 G2	11,275	B2 U0 G2	15,200	B3 U0 G2
22L	20,100	B3 U0 G3	20,900	B3 U0 G3	15,500	B3 U0 G2	20,900	B3 U0 G3
30L	27,400	B3 U0 G3	28,500	B3 U0 G4	21,100	B3 U0 G3	28,500	B3 U0 G4
40L	36,500	B4 U0 G4	38,000	B4 U0 G4	28,100	B3 U0 G4	38,000	B4 U0 G4
50L	45,600	B4 U0 G5	47,500	B4 U0 G5	35,200	B4 U0 G4	47,500	B4 U0 G5
65L	59,300	B5 U0 G5	61,800	B5 U0 G5	45,700	B4 U0 G5	61,800	B5 U0 G5
75L	68,400	B5 U0 G5	71,300	B5 U0 G5	52,800	B4 U0 G5	71,300	B5 U0 G5
85L	77,600	B5 U0 G5	80,800	B5 U0 G5	59,800	B5 U0 G5	80,800	B5 U0 G5

\* Initial delivered lumens at 25°C (77°F). Actual production yield may vary between -10 and +10% of initial delivered lumens  
 \*\* For more information on the IES BUG (Backlight-Uplight-Glare) Rating visit: <https://www.ies.org/wp-content/uploads/2017/03/TM-15-11BUGRatingsAddendum.pdf>. Valid with no tilt

**4B**



**RETL Test Report #: PL17930-001A**  
 Configured  
 OSQ-C-30L-30K7-4B-UL-xx-xx-xx  
 Initial Delivered Lumens: 17,200

**OSQ-C-30L-30K7-4B-UL**  
**Mounting Height:** 25' (7.6m) A.F.G.  
**Initial Delivered Lumens:** 17,200  
 Initial FC at grade

Type IV Mid w/BLS Distribution (factory-installed)								
Lumen Package	3000K (70 CRI)		4000K (70 CRI)		5000K (90 CRI)		5700K (70 CRI)	
	Initial Delivered Lumens*	BUG Ratings** Per TM-15-20	Initial Delivered Lumens*	BUG Ratings** Per TM-15-20	Initial Delivered Lumens*	BUG Ratings** Per TM-15-20	Initial Delivered Lumens*	BUG Ratings** Per TM-15-20
4L	2,300	B1 U0 G0	2,400	B1 U0 G0	1,770	B0 U0 G0	2,400	B1 U0 G0
6L	3,440	B1 U0 G1	3,590	B1 U0 G1	2,660	B1 U0 G0	3,590	B1 U0 G1
9L	5,175	B1 U0 G1	5,400	B1 U0 G1	3,980	B1 U0 G1	5,400	B1 U0 G1
11L	6,325	B1 U0 G1	6,600	B1 U0 G1	4,880	B1 U0 G1	6,600	B1 U0 G1
16L	9,225	B2 U0 G2	9,575	B2 U0 G2	7,100	B1 U0 G1	9,575	B2 U0 G2
22L	12,625	B2 U0 G2	13,175	B2 U0 G2	9,750	B2 U0 G2	13,175	B2 U0 G2
30L	17,200	B2 U0 G2	18,000	B2 U0 G2	13,300	B2 U0 G2	18,000	B2 U0 G2
40L	23,000	B3 U0 G3	24,000	B3 U0 G3	17,700	B2 U0 G2	24,000	B3 U0 G3
50L	28,700	B3 U0 G3	29,900	B3 U0 G3	22,200	B3 U0 G3	29,900	B3 U0 G3
65L	37,400	B3 U0 G4	38,900	B3 U0 G4	28,800	B3 U0 G3	38,900	B3 U0 G4
75L	43,100	B3 U0 G4	44,900	B4 U0 G4	33,200	B3 U0 G4	44,900	B4 U0 G4

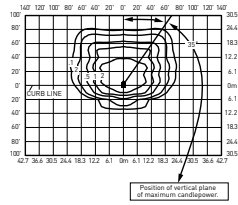
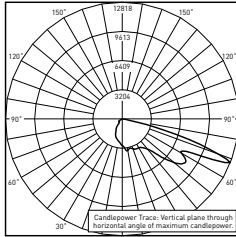
\* Initial delivered lumens at 25°C (77°F). Actual production yield may vary between -10 and +10% of initial delivered lumens  
 \*\* For more information on the IES BUG (Backlight-Uplight-Glare) Rating visit: <https://www.ies.org/wp-content/uploads/2017/03/TM-15-11BUGRatingsAddendum.pdf>. Valid with no tilt

**Photometry**

All published luminaire photometric testing performed to IES LM-79 standards. To obtain an IES file specific to your project consult:

<https://creelighting.com/products/outdoor/area/osq-series>

**4M W/OSQ-\*\*-C-BLSF**



RESTL Test Report #: PL17929-001A Configured OSQ-L-C-30L-30K7-4M-UL-xx-xx-xx w/OSQ-L-C-BLSF Initial Delivered Lumens: 15,400

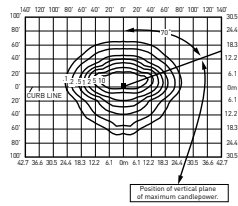
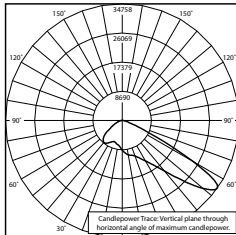
OSQ-L-C-30L-30K7-4M-UL w/OSQ-L-C-BLSF Mounting Height: 25' [7.6m] A.F.G. Initial Delivered Lumens: 15,700 Initial FC at grade

Type IV Mid Distribution w/OSQ-**-C-BLSF (field-installed)								
Lumen Package	3000K (70 CRI)		4000K (70 CRI)		5000K (90 CRI)		5700K (70 CRI)	
	Initial Delivered Lumens*	BUG Ratings** Per TM-15-20	Initial Delivered Lumens*	BUG Ratings** Per TM-15-20	Initial Delivered Lumens*	BUG Ratings** Per TM-15-20	Initial Delivered Lumens*	BUG Ratings** Per TM-15-20
4L	2,100	B1 U0 G1	2,180	B1 U0 G1	1,610	B0 U0 G1	2,180	B1 U0 G1
6L	3,140	B1 U0 G1	3,270	B1 U0 G1	2,420	B1 U0 G1	3,270	B1 U0 G1
9L	4,720	B1 U0 G1	4,910	B1 U0 G1	3,630	B1 U0 G1	4,910	B1 U0 G1
11L	5,750	B1 U0 G1	6,000	B1 U0 G2	4,450	B1 U0 G1	6,000	B1 U0 G2
16L	8,400	B1 U0 G2	8,725	B2 U0 G2	6,475	B1 U0 G2	8,725	B2 U0 G2
22L	11,550	B2 U0 G2	12,000	B2 U0 G2	8,900	B2 U0 G2	12,000	B2 U0 G2
30L	15,700	B2 U0 G2	16,400	B2 U0 G2	12,100	B2 U0 G2	16,400	B2 U0 G2
40L	21,000	B3 U0 G3	21,800	B3 U0 G3	16,100	B2 U0 G2	21,800	B3 U0 G3
50L	26,200	B3 U0 G4	27,300	B3 U0 G4	20,200	B3 U0 G3	27,300	B3 U0 G4
65L	34,000	B3 U0 G4	35,500	B3 U0 G4	26,200	B3 U0 G4	35,500	B3 U0 G4
75L	39,300	B3 U0 G4	40,900	B3 U0 G5	30,300	B3 U0 G4	40,900	B3 U0 G5
85L	44,500	B4 U0 G5	46,400	B4 U0 G5	34,300	B3 U0 G4	46,400	B4 U0 G5

\* Initial delivered lumens at 25°C (77°F). Actual production yield may vary between -10 and +10% of initial delivered lumens

\*\* For more information on the IES BUG (Backlight-Uplight-Glare) Rating visit: <https://www.ies.org/wp-content/uploads/2017/03/TM-15-11BUGRatingsAddendum.pdf>. Valid with no tilt

**AF**



RESTL Test Report #: PL17447-001A OSQ-L-C-40L-30K7-AF-UL-xx-xx-xx Initial Delivered Lumens: 35,801

OSQ-L-C-40L-40K7-AF-UL Mounting Height: 25' [7.6m] A.F.G. Initial Delivered Lumens: 38,000 Initial FC at grade

Automotive FrontLineOptic™ Distribution								
Lumen Package	3000K (70 CRI)		4000K (70 CRI)		5000K (90 CRI)		5700K (70 CRI)	
	Initial Delivered Lumens*	BUG Ratings** Per TM-15-20	Initial Delivered Lumens*	BUG Ratings** Per TM-15-20	Initial Delivered Lumens*	BUG Ratings** Per TM-15-20	Initial Delivered Lumens*	BUG Ratings** Per TM-15-20
4L	3,650	B1 U0 G1	3,800	B1 U0 G1	2,810	B1 U0 G1	3,800	B1 U0 G1
6L	5,475	B1 U0 G1	5,700	B1 U0 G1	4,220	B1 U0 G1	5,700	B1 U0 G1
9L	8,225	B2 U0 G1	8,550	B2 U0 G1	6,325	B1 U0 G1	8,550	B2 U0 G1
11L	10,025	B2 U0 G2	10,450	B2 U0 G2	7,750	B2 U0 G1	10,450	B2 U0 G2
16L	14,650	B2 U0 G2	15,200	B2 U0 G2	11,275	B2 U0 G2	15,200	B2 U0 G2
22L	20,100	B3 U0 G3	20,900	B3 U0 G3	15,500	B2 U0 G2	20,900	B3 U0 G3
30L	27,400	B3 U0 G3	28,500	B3 U0 G3	21,100	B3 U0 G3	28,500	B3 U0 G3
40L	36,500	B4 U0 G3	38,000	B4 U0 G3	28,100	B3 U0 G3	38,000	B4 U0 G3
50L	45,600	B4 U0 G3	47,500	B4 U0 G3	35,200	B4 U0 G3	47,500	B4 U0 G3
65L	59,300	B5 U0 G4	61,800	B5 U0 G4	45,700	B4 U0 G3	61,800	B5 U0 G4
75L	68,400	B5 U0 G4	71,300	B5 U0 G4	52,800	B4 U0 G4	71,300	B5 U0 G4
85L	77,600	B5 U0 G4	80,800	B5 U0 G4	59,800	B5 U0 G4	80,800	B5 U0 G4

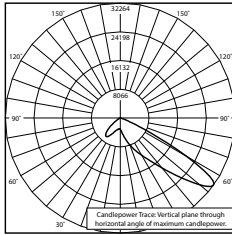
\* Initial delivered lumens at 25°C (77°F). Actual production yield may vary between -10 and +10% of initial delivered lumens

\*\* For more information on the IES BUG (Backlight-Uplight-Glare) Rating visit: <https://www.ies.org/wp-content/uploads/2017/03/TM-15-11BUGRatingsAddendum.pdf>. Valid with no tilt

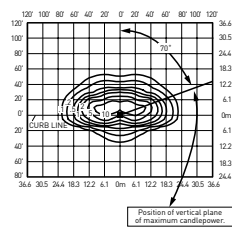
**Photometry**

All published luminaire photometric testing performed to IES LM-79 standards. To obtain an IES file specific to your project consult: <https://creelighting.com/products/outdoor/area/osq-series>

**AB**



RESTL Test Report #: PL17448-001A  
OSQL-C-40L-30K7-AB-UL-xx-xx-xx  
Initial Delivered Lumens: 26,118



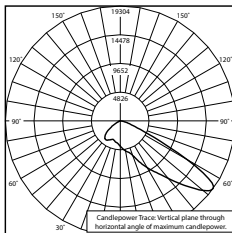
OSQL-C-40L-40K7-AB-UL  
Mounting Height: 25' (7.6m) A.F.G.  
Initial Delivered Lumens: 26,200  
Initial FC at grade

**Automotive FrontLineOptic™ w/BLS Distribution (factory-installed)**

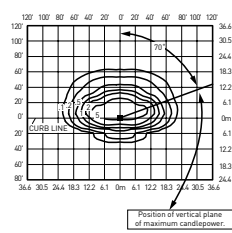
Lumen Package	3000K (70 CRI)		4000K (70 CRI)		5000K (90 CRI)		5700K (70 CRI)	
	Initial Delivered Lumens*	BUG Ratings** Per TM-15-20	Initial Delivered Lumens*	BUG Ratings** Per TM-15-20	Initial Delivered Lumens*	BUG Ratings** Per TM-15-20	Initial Delivered Lumens*	BUG Ratings** Per TM-15-20
4L	2,510	B1 U0 G0	2,620	B1 U0 G0	1,940	B1 U0 G0	2,620	B1 U0 G0
6L	3,760	B1 U0 G0	3,920	B1 U0 G0	2,900	B1 U0 G0	3,920	B1 U0 G0
9L	5,650	B1 U0 G1	5,875	B1 U0 G1	4,350	B1 U0 G0	5,875	B1 U0 G1
11L	6,900	B1 U0 G1	7,200	B1 U0 G1	5,325	B1 U0 G1	7,200	B1 U0 G1
16L	10,075	B2 U0 G1	10,450	B2 U0 G1	7,750	B1 U0 G1	10,450	B2 U0 G1
22L	13,800	B2 U0 G1	14,375	B2 U0 G1	10,650	B2 U0 G1	14,375	B2 U0 G1
30L	18,800	B2 U0 G1	19,600	B2 U0 G1	14,525	B1 U0 G1	19,600	B2 U0 G1
40L	25,100	B3 U0 G2	26,200	B3 U0 G2	19,400	B2 U0 G1	26,200	B3 U0 G2
50L	31,400	B3 U0 G2	32,700	B3 U0 G2	24,200	B3 U0 G2	32,700	B3 U0 G2
65L	40,800	B3 U0 G2	42,500	B4 U0 G2	31,500	B3 U0 G2	42,500	B4 U0 G2
75L	47,100	B4 U0 G3	49,000	B4 U0 G3	36,300	B3 U0 G2	49,000	B4 U0 G3

\* Initial delivered lumens at 25°C (77°F). Actual production yield may vary between -10 and +10% of initial delivered lumens  
\*\* For more information on the IES BUG (Backlight-Uplight-Glare) Rating visit: <https://www.ies.org/wp-content/uploads/2017/03/TM-15-11BUGRatingsAddendum.pdf>. Valid with no tilt

**AF W/OSQ\*-C-BLSF**



RESTL Test Report #: PL17533-001A  
OSQL-C-40L-30K7-AF-UL-xx-xx-xx w/OSQ-L-C-BLSF  
Initial Delivered Lumens: 19,828



OSQL-C-40L-40K7-AF-UL w/OSQ-L-C-BLSF  
Mounting Height: 25' (7.6m) A.F.G.  
Initial Delivered Lumens: 26,200  
Initial FC at grade

**Automotive FrontLineOptic™ w/OSQ\*-C-BLSF (field-installed)**

Lumen Package	3000K (70 CRI)		4000K (70 CRI)		5000K (90 CRI)		5700K (70 CRI)	
	Initial Delivered Lumens*	BUG Ratings** Per TM-15-20	Initial Delivered Lumens*	BUG Ratings** Per TM-15-20	Initial Delivered Lumens*	BUG Ratings** Per TM-15-20	Initial Delivered Lumens*	BUG Ratings** Per TM-15-20
4L	2,100	B1 U0 G1	2,180	B1 U0 G1	1,610	B0 U0 G1	2,180	B1 U0 G1
6L	3,140	B1 U0 G1	3,270	B1 U0 G1	2,420	B1 U0 G1	3,270	B1 U0 G1
9L	4,720	B1 U0 G1	4,910	B1 U0 G1	3,630	B1 U0 G1	4,910	B1 U0 G1
11L	5,750	B1 U0 G1	6,000	B1 U0 G1	4,450	B1 U0 G1	6,000	B1 U0 G1
16L	8,400	B1 U0 G1	8,725	B1 U0 G1	6,475	B1 U0 G1	8,725	B1 U0 G1
22L	11,550	B2 U0 G1	12,000	B2 U0 G1	8,900	B1 U0 G1	12,000	B2 U0 G1
30L	15,700	B2 U0 G2	16,400	B2 U0 G2	12,100	B2 U0 G1	16,400	B2 U0 G2
40L	21,000	B3 U0 G2	21,800	B3 U0 G2	16,100	B2 U0 G2	21,800	B3 U0 G2
50L	26,200	B3 U0 G2	27,300	B3 U0 G2	20,200	B3 U0 G2	27,300	B3 U0 G2
65L	34,000	B3 U0 G2	35,500	B3 U0 G2	26,200	B3 U0 G2	35,500	B3 U0 G2
75L	39,300	B3 U0 G3	40,900	B3 U0 G3	30,300	B3 U0 G2	40,900	B3 U0 G3
85L	44,500	B3 U0 G3	46,400	B4 U0 G3	34,300	B3 U0 G3	46,400	B4 U0 G3

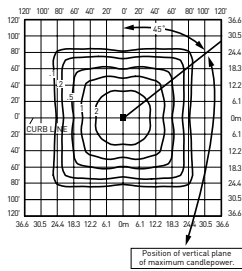
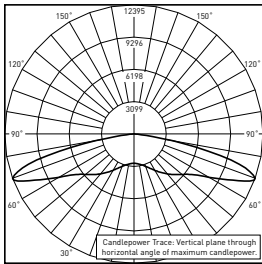
\* Initial delivered lumens at 25°C (77°F). Actual production yield may vary between -10 and +10% of initial delivered lumens  
\*\* For more information on the IES BUG (Backlight-Uplight-Glare) Rating visit: <https://www.ies.org/wp-content/uploads/2017/03/TM-15-11BUGRatingsAddendum.pdf>. Valid with no tilt



**Photometry**

All published luminaire photometric testing performed to IES LM-79 standards. To obtain an IES file specific to your project consult: <https://creelighting.com/products/outdoor/area/osq-series>

**5M**



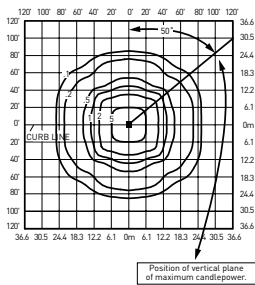
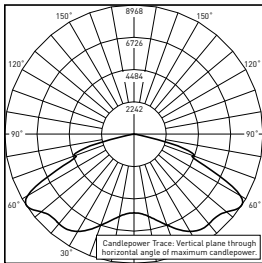
**RESTL Test Report #:** PL17909-001A  
 Configured  
 OSQ-L-C-30L-30K7-5M-UL-xx-xx-xx  
**Initial Delivered Lumens:** 28,800

**OSQL-C-30L-30K7-5M-UL**  
**Mounting Height:** 25' (7.6m) A.F.G.  
**Initial Delivered Lumens:** 28,800  
 Initial FC at grade

Type V Mid Distribution								
Lumen Package	3000K (70 CRI)		4000K (70 CRI)		5000K (90 CRI)		5700K (70 CRI)	
	Initial Delivered Lumens*	BUG Ratings** Per TM-15-20	Initial Delivered Lumens*	BUG Ratings** Per TM-15-20	Initial Delivered Lumens*	BUG Ratings** Per TM-15-20	Initial Delivered Lumens*	BUG Ratings** Per TM-15-20
4L	3,840	B2 U0 G1	4,000	B2 U0 G1	2,960	B2 U0 G1	4,000	B2 U0 G1
6L	5,750	B3 U0 G1	6,000	B3 U0 G1	4,440	B2 U0 G1	6,000	B3 U0 G1
9L	8,650	B3 U0 G2	9,000	B3 U0 G2	6,650	B3 U0 G1	9,000	B3 U0 G2
11L	10,550	B3 U0 G2	11,000	B3 U0 G2	8,150	B3 U0 G1	11,000	B3 U0 G2
16L	15,400	B4 U0 G2	16,000	B4 U0 G2	11,850	B4 U0 G2	16,000	B4 U0 G2
22L	21,100	B4 U0 G2	22,000	B4 U0 G2	16,300	B4 U0 G2	22,000	B4 U0 G2
30L	28,800	B5 U0 G3	30,000	B5 U0 G3	22,200	B4 U0 G2	30,000	B5 U0 G3
40L	38,400	B5 U0 G4	40,000	B5 U0 G4	29,600	B5 U0 G3	40,000	B5 U0 G4
50L	48,000	B5 U0 G4	50,000	B5 U0 G4	37,000	B5 U0 G4	50,000	B5 U0 G4
65L	62,400	B5 U0 G5	65,000	B5 U0 G5	48,100	B5 U0 G4	65,000	B5 U0 G5
75L	72,000	B5 U0 G5	75,000	B5 U0 G5	55,500	B5 U0 G4	75,000	B5 U0 G5
85L	81,600	B5 U0 G5	85,000	B5 U0 G5	62,900	B5 U0 G5	85,000	B5 U0 G5

\* Initial delivered lumens at 25°C (77°F). Actual production yield may vary between -10 and +10% of initial delivered lumens  
 \*\* For more information on the IES BUG (Backlight-Uplight-Glare) Rating visit: <https://www.ies.org/wp-content/uploads/2017/03/TM-15-11BUGRatingsAddendum.pdf>. Valid with no tilt

**5N**



**RESTL Test Report #:** PL17911-001A  
 Configured  
 OSQ-L-C-30L-30K7-5N-UL-xx-xx-xx  
**Initial Delivered Lumens:** 28,800

**OSQL-C-30L-30K7-5N-UL**  
**Mounting Height:** 25' (7.6m) A.F.G.  
**Initial Delivered Lumens:** 28,800  
 Initial FC at grade

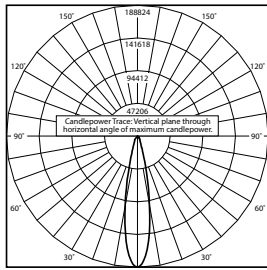
Type V Narrow Distribution								
Lumen Package	3000K (70 CRI)		4000K (70 CRI)		5000K (90 CRI)		5700K (70 CRI)	
	Initial Delivered Lumens*	BUG Ratings** Per TM-15-20	Initial Delivered Lumens*	BUG Ratings** Per TM-15-20	Initial Delivered Lumens*	BUG Ratings** Per TM-15-20	Initial Delivered Lumens*	BUG Ratings** Per TM-15-20
4L	3,840	B2 U0 G0	4,000	B2 U0 G0	2,960	B1 U0 G0	4,000	B2 U0 G0
6L	5,750	B2 U0 G1	6,000	B2 U0 G1	4,440	B2 U0 G0	6,000	B2 U0 G1
9L	8,650	B3 U0 G1	9,000	B3 U0 G1	6,650	B2 U0 G1	9,000	B3 U0 G1
11L	10,550	B3 U0 G1	11,000	B3 U0 G1	8,150	B2 U0 G1	11,000	B3 U0 G1
16L	15,400	B3 U0 G2	16,000	B3 U0 G2	11,850	B3 U0 G1	16,000	B3 U0 G2
22L	21,100	B4 U0 G2	22,000	B4 U0 G2	16,300	B3 U0 G2	22,000	B4 U0 G2
30L	28,800	B4 U0 G2	30,000	B4 U0 G2	22,200	B4 U0 G2	30,000	B4 U0 G2
40L	38,400	B5 U0 G2	40,000	B5 U0 G2	29,600	B4 U0 G2	40,000	B5 U0 G2
50L	48,000	B5 U0 G3	50,000	B5 U0 G3	37,000	B5 U0 G2	50,000	B5 U0 G3
65L	62,400	B5 U0 G4	65,000	B5 U0 G4	48,100	B5 U0 G3	65,000	B5 U0 G4
75L	72,000	B5 U0 G4	75,000	B5 U0 G4	55,500	B5 U0 G3	75,000	B5 U0 G4
85L	81,600	B5 U0 G4	85,000	B5 U0 G4	62,900	B5 U0 G4	85,000	B5 U0 G4

\* Initial delivered lumens at 25°C (77°F). Actual production yield may vary between -10 and +10% of initial delivered lumens  
 \*\* For more information on the IES BUG (Backlight-Uplight-Glare) Rating visit: <https://www.ies.org/wp-content/uploads/2017/03/TM-15-11BUGRatingsAddendum.pdf>. Valid with no tilt

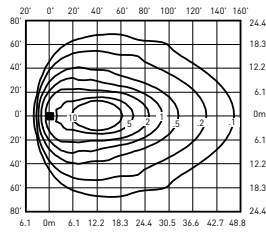
**Photometry**

All published luminaire photometric testing performed to IES LM-79 standards. To obtain an IES file specific to your project consult: <https://creelighting.com/products/outdoor/area/osq-series>

33



RESTL Test Report #: PL17450-001A  
OSQ-C-40L-30K7-33-UL-xx-xx-xx  
Initial Delivered Lumens: 36,102

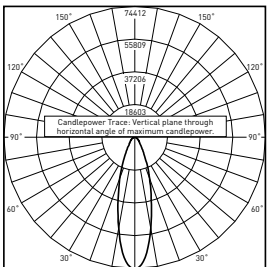


OSQ-C-40L-40K7-33-UL  
Mounting Height: 25' (7.6m) A.F.G., 60° Tilt  
Initial Delivered Lumens: 40,000  
Initial FC at grade

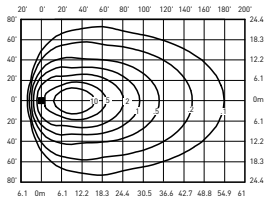
NEMA® 3x3 Distribution				
Lumen Package	3000K (70 CRI)	4000K (70 CRI)	5000K (90CRI)	5700K (70 CRI)
	Initial Delivered Lumens*	Initial Delivered Lumens*	Initial Delivered Lumens*	Initial Delivered Lumens*
4L	3,840	4,000	2,960	4,000
6L	5,750	6,000	4,440	6,000
9L	8,650	9,000	6,650	9,000
11L	10,550	11,000	8,150	11,000
16L	15,400	16,000	11,850	16,000
22L	21,100	22,000	16,300	22,000
30L	28,800	30,000	22,200	30,000
40L	38,400	40,000	29,600	40,000
50L	48,000	50,000	37,000	50,000
65L	62,400	65,000	48,100	65,000
75L	72,000	75,000	55,500	75,000
85L	81,600	85,000	62,900	85,000

\* Initial delivered lumens at 25°C (77°F). Actual production yield may vary between -10 and +10% of initial delivered lumens

44



RESTL Test Report #: PL17748-001A  
OSQ-C-40L-30K7-44-UL-xx-xx-xx  
Initial Delivered Lumens: 35,349



OSQ-C-40L-40K7-44-UL  
Mounting Height: 25' (7.6m) A.F.G., 60° Tilt  
Initial Delivered Lumens: 40,000  
Initial FC at grade

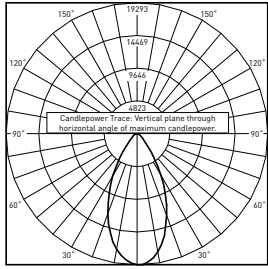
NEMA® 4x4 Distribution				
Lumen Package	3000K (70 CRI)	4000K (70 CRI)	5000K (90CRI)	5700K (70 CRI)
	Initial Delivered Lumens*	Initial Delivered Lumens*	Initial Delivered Lumens*	Initial Delivered Lumens*
4L	3,840	4,000	2,960	4,000
6L	5,750	6,000	4,440	6,000
9L	8,650	9,000	6,650	9,000
11L	10,550	11,000	8,150	11,000
16L	15,400	16,000	11,850	16,000
22L	21,100	22,000	16,300	22,000
30L	28,800	30,000	22,200	30,000
40L	38,400	40,000	29,600	40,000
50L	48,000	50,000	37,000	50,000
65L	62,400	65,000	48,100	65,000
75L	72,000	75,000	55,500	75,000
85L	81,600	85,000	62,900	85,000

\* Initial delivered lumens at 25°C (77°F). Actual production yield may vary between -10 and +10% of initial delivered lumens

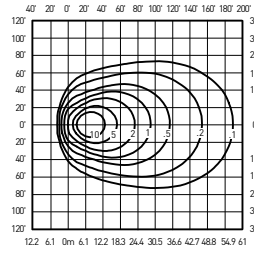
**Photometry**

All published luminaire photometric testing performed to IES LM-79 standards. To obtain an IES file specific to your project consult: <https://creelighting.com/products/outdoor/area/osq-series>

55



RESTL Test Report #: PL17771-001A  
OSQL-C-40L-30K7-55-UL-xx-xx-xx  
Initial Delivered Lumens: 37,424

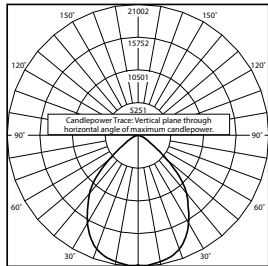


OSQL-C-40L-40K7-55-UL  
Mounting Height: 25' (7.6m) A.F.G., 60° Tilt  
Initial Delivered Lumens: 40,000  
Initial FC at grade

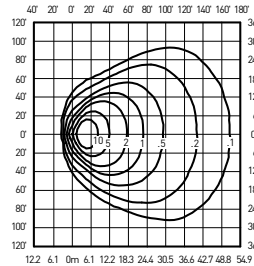
NEMA® 5x5 Distribution				
Lumen Package	3000K (70 CRI)	4000K (70 CRI)	5000K (90CRI)	5700K (70 CRI)
	Initial Delivered Lumens*	Initial Delivered Lumens*	Initial Delivered Lumens*	Initial Delivered Lumens*
4L	3,840	4,000	2,960	4,000
6L	5,750	6,000	4,440	6,000
9L	8,650	9,000	6,650	9,000
11L	10,550	11,000	8,150	11,000
16L	15,400	16,000	11,850	16,000
22L	21,100	22,000	16,300	22,000
30L	28,800	30,000	22,200	30,000
40L	38,400	40,000	29,600	40,000
50L	48,000	50,000	37,000	50,000
65L	62,400	65,000	48,100	65,000
75L	72,000	75,000	55,500	75,000
85L	81,600	85,000	62,900	85,000

\* Initial delivered lumens at 25°C (77°F). Actual production yield may vary between -10 and +10% of initial delivered lumens

66



RESTL Test Report #: PL17439-001A  
OSQL-C-40L-30K7-66-UL-xx-xx-xx  
Initial Delivered Lumens: 37,525



OSQL-C-40L-40K7-66-UL  
Mounting Height: 25' (7.6m) A.F.G., 60° Tilt  
Initial Delivered Lumens: 40,000  
Initial FC at grade

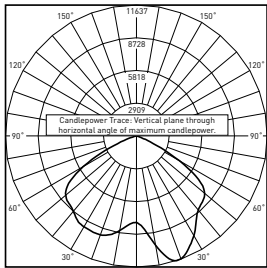
NEMA® 6x6 Distribution				
Lumen Package	3000K (70 CRI)	4000K (70 CRI)	5000K (90CRI)	5700K (70 CRI)
	Initial Delivered Lumens*	Initial Delivered Lumens*	Initial Delivered Lumens*	Initial Delivered Lumens*
4L	3,840	4,000	2,960	4,000
6L	5,750	6,000	4,440	6,000
9L	8,650	9,000	6,650	9,000
11L	10,550	11,000	8,150	11,000
16L	15,400	16,000	11,850	16,000
22L	21,100	22,000	16,300	22,000
30L	28,800	30,000	22,200	30,000
40L	38,400	40,000	29,600	40,000
50L	48,000	50,000	37,000	50,000
65L	62,400	65,000	48,100	65,000
75L	72,000	75,000	55,500	75,000
85L	81,600	85,000	62,900	85,000

\* Initial delivered lumens at 25°C (77°F). Actual production yield may vary between -10 and +10% of initial delivered lumens

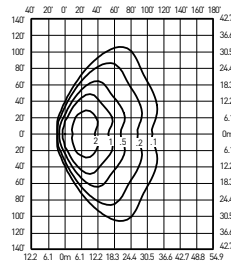
**Photometry**

All published luminaire photometric testing performed to IES LM-79 standards. To obtain an IES file specific to your project consult: <https://creelighting.com/products/outdoor/area/osq-series>

75



**RESTL Test Report #:** PL17921-001A  
**OSQM-C-16L-40K7-75-UL-xx-xx-xx**  
**Initial Delivered Lumens:** 16,933



**OSQL-C-16L-40K7-75-UL**  
**Mounting Height:** 25' (7.6m) A.F.G., 60° Tilt  
**Initial Delivered Lumens:** 16,000  
**Initial FC at grade**

NEMA® 7x5 Distribution				
Lumen Package	3000K (70 CRI)	4000K (70 CRI)	5000K (90CRI)	5700K (70 CRI)
	Initial Delivered Lumens*	Initial Delivered Lumens*	Initial Delivered Lumens*	Initial Delivered Lumens*
4L	3,840	4,000	2,960	4,000
6L	5,750	6,000	4,440	6,000
9L	8,650	9,000	6,650	9,000
11L	10,550	11,000	8,150	11,000
16L	15,400	16,000	11,850	16,000
22L	21,100	22,000	16,300	22,000
30L	28,800	30,000	22,200	30,000
40L	38,400	40,000	29,600	40,000
50L	48,000	50,000	37,000	50,000
65L	62,400	65,000	48,100	65,000
75L	72,000	75,000	55,500	75,000
85L	81,600	85,000	62,900	85,000

\* Initial delivered lumens at 25°C (77°F). Actual production yield may vary between -10 and +10% of initial delivered lumens

**Luminaire EPA**

Adjustable Arm Mount – OSQ-ML-C-AA Weight: Medium - 19.3 lbs. [8.8kg]; Large - 28.4 lbs. [12.9kg]; OSQ-X-C-DA Weight: Extra Large - 48.6 lbs. [22kg]								
	Single	2 @ 180°	2 @ 90°	3 @ 90°	3 @ 120°	3 @ 180°	4 @ 180°	4 @ 90°
Luminaire	<b>Tenon Configuration [0° - 90° Tilt];</b> If used with Cree Lighting tenons, please add tenon EPA with Luminaire EPA							
	PB-1A*; PT-1*; PW-1A3**	PB-2A*; PB-2R2.375; PD-2A4(180)*; PT-2(180)*; PW-2A3**	PB-2A*; PB-2R2.375; PD-2A4(90)*; PT-2(90)*; PW-2A3**	PB-3A*; PB-3R2.375; PD-3A4(90)*; PT-3(90)*	PB-3A*; PB-3R2.375; PT-3(120)*	PB-3A*; PB-3R2.375	PB-4A*(180); PB-4R2.375	PB-4A*(90); PB-4R2.375; PD-4A4(90)*; PT-4(90)*
	<b>0° Tilt</b>							
OSQM	0.69	1.38	1.11	1.80	2.01	1.38	1.73	2.22
OSQL	0.78	1.55	1.30	2.07	2.33	1.55	1.94	2.60
OSQX	0.98	1.95	1.65	2.63	2.97	1.95	2.44	3.31
	<b>45° Tilt</b>							
OSQM	1.41	2.81	2.10	3.50	4.23	4.22	5.63	4.19
OSQL	2.62	5.23	3.39	6.01	6.91	7.85	10.46	6.79
OSQX	4.35	8.70	5.33	9.68	9.65	13.05	17.40	10.66
	<b>90° Tilt***</b>							
OSQM	1.89	3.79	2.58	4.48	5.56	5.68	7.57	5.17
OSQL	3.52	7.03	4.29	7.81	9.14	10.55	14.07	8.59
OSQX	5.84	11.68	6.82	12.66	12.78	17.52	23.36	13.63

\* Specify pole size: 3 [3"], 4 [4"], 5 [5"], or 6 [6"] for single, double or triple luminaire orientation or 4 [4"], 5 [5"], or 6 [6"] for quad luminaire orientation  
 \*\* These EPA values must be multiplied by the following ratio: Fixture Mounting Height/Total Pole Height. Specify pole size: 3 [3"], 4 [4"], 5 [5"], or 6 [6"]  
 \*\*\* PD-2A4(90), PT-2(90), PD-3A4(90), PT-3(90), PD-4A4(90), PT-4(90) are not compatible with 90 degree tilt  
 + PT & PD aluminum tenons are not suitable for use with OSQX luminaires.

**Tenon EPA**

Part Number	EPA
PB-1A*	None
PB-2A*	0.82
PB-3A*	1.52
PB-4A*(180)	2.22
PB-4A*(90)	1.11
PB-2R2.375	0.92
PB-3R2.375	1.62
PB-4R2.375	2.32
PD Series Tenons	0.09
PT Series Tenons	0.10
PW-1A3**	0.47
PW-2A3**	0.94
WM-2	0.08
WM-4	0.25
WM-DM	None

\* Specify pole size: 3 [3"], 4 [4"], 5 [5"], or 6 [6"] for single, double or triple luminaire orientation or 4 [4"], 5 [5"], or 6 [6"] for quad luminaire orientation  
 \*\* These EPA values must be multiplied by the following ratio: Fixture Mounting Height/Total Pole Height. Specify pole size: 3 [3"], 4 [4"], 5 [5"], or 6 [6"]

Tenons and Brackets <sup>†</sup> (must specify color)	
<p><b>Square Internal Mount Vertical Tenons (Steel)</b>                      - Mounts to 3-6" (76-152mm) square aluminum or steel poles</p> <p>PB-1A* – Single                      PB-2A* – 180° Twin                      PB-3A* – 180° Triple</p> <p>PB-4A*(90) – 90° Quad                      PB-4A*(180) – 180° Quad</p>	<p><b>Round External Mount Vertical Tenons (Steel)</b>                      - Mounts to 2.375" (60mm) O.D. round aluminum or steel poles or tenons</p> <p>PB-2R2.375 – Twin                      PB-3R2.375 – Triple                      PB-4R2.375 – Quad</p>
<p><b>Square Internal Mount Horizontal Tenons (Aluminum)</b>                      - Mounts to 4" (102mm) square aluminum or steel poles                      - Not for use with OSQX luminaires</p> <p>PD-2A4(90) – 90° Twin                      PD-2A4(180) – 180° Twin                      PD-3A4(90) – 90° Triple                      PD-4A4(90) – 90° Quad</p>	<p><b>Round External Mount Horizontal Tenons (Aluminum)</b>                      - Mounts to 2.375" (60mm) O.D. round aluminum or steel poles or tenons                      - Mounts to square pole with PB-1A* tenon                      - Not for use with OSQX luminaires</p> <p>PT-1 – Single (Vertical)                      PT-2(90) – 90° Twin                      PT-2(180) – 180° Twin                      PT-3(90) – 90° Triple                      PT-3(120) – 120° Triple                      PT-4(90) – 90° Quad</p>
<p><b>Wall Mount Brackets</b>                      - Mounts to wall or roof</p> <p>WM-2 – Horizontal for OSQ-ML-C-AA or OSQ-X-C-AA mounts                      WM-4 – L-Shape for OSQ-ML-C-AA or OSQ-X-C-AA mounts                      WM-DM – Plate for OSQ-ML-C-DA mount</p>	<p><b>Mid-Pole Bracket</b>                      - Mounts to square pole</p> <p>PW-1A3** – Single                      PW-2A3** – Double</p>
	<p><b>Ground Mount Post</b>                      - For ground-mounted flood luminaires</p> <p>PGM-1 - for OSQ-ML-C-AA or OSQ-X-C-AA mounts</p>

<sup>†</sup> Refer to the [Bracket and Tenons spec sheet](#) for more details

**Luminaire EPA**

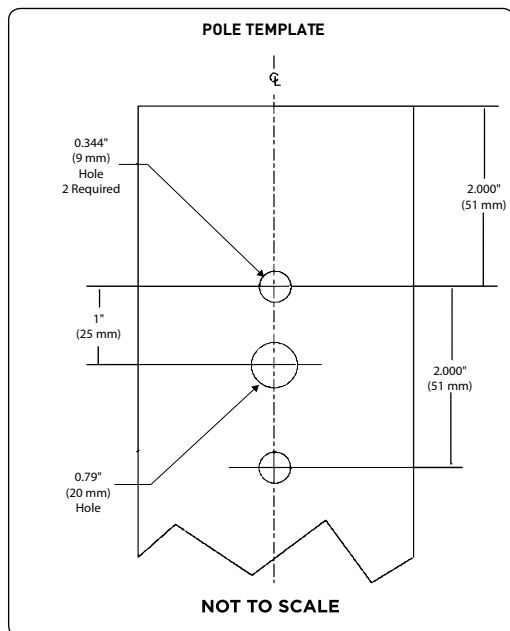
Direct Arm Mount – OSQ-ML-C-DA Weight: Medium - 19.7 lbs. (8.9kg); Large - 28.8 lbs. (13.1kg); OSQ-X-C-DA Weight: Extra Large - 45.8 lbs. (20.8kg)						
Luminaire	Single	2 @ 180°	2 @ 90°	3 @ 90°	3 @ 120°	4 @ 90°
OSQM	0.63	1.26	0.98	1.61	1.79	1.97
OSQL	0.72	1.45	1.24	1.97	2.23	2.49
OSQX	0.91	1.83	1.52	2.43	2.74	3.04

**Direct Mount Configurations**

Compatibility with Direct Mount Brackets					
Size	2 @ 90°	2 @ 180°	3 @ 90°	3 @ 120°	4 @ 90°
<b>3" Square</b>					
Medium/Large	✓	✓	✓	N/A	✓
Extra Large	N/A	✓	N/A	N/A	N/A
<b>3" Round</b>					
Medium/Large	N/A	✓	N/A	✓	N/A
Extra Large	N/A	N/A	N/A	N/A	N/A
<b>4" Square</b>					
Medium/Large	✓	✓	✓	N/A	✓
Extra Large	✓	✓	✓	N/A	✓
<b>4" Round</b>					
Medium/Large	✓	✓	✓	✓	✓
Extra Large	✓	✓	✓	✓	✓
<b>5" Square</b>					
Medium/Large	✓	✓	✓	N/A	✓
Extra Large	✓	✓	✓	N/A	✓
<b>5" Round</b>					
Medium/Large	✓	✓	✓	✓	✓
Extra Large	✓	✓	✓	✓	✓
<b>6" + Square</b>					
Medium/Large	✓	✓	✓	N/A	✓
Extra Large	✓	✓	✓	N/A	✓
<b>6" + Round</b>					
Medium/Large	✓	✓	✓	✓	✓
Extra Large	✓	✓	✓	✓	✓

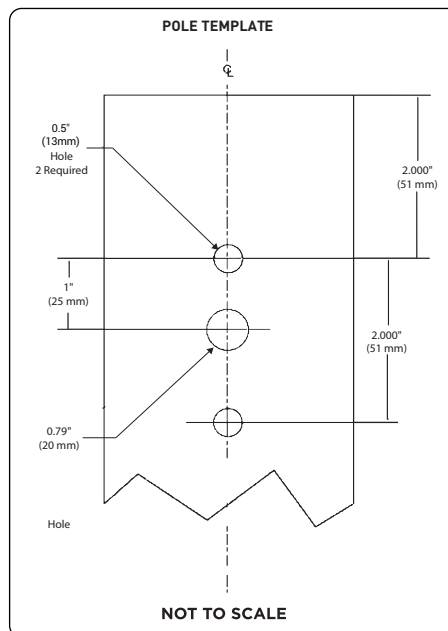
**Fixture Mounting Drill Pattern for OSQ-ML-C-DA Mount**

Note: When using with Cree Lighting poles, order the BLANK Fixture Mounting Drill Pattern.



**Fixture Mounting Drill Pattern for OSQ-X-C-DA**

Note: When using with Cree Lighting poles, order the Q Fixture Mounting Drill Pattern.



**Luminaire EPA**

Trunnion Mount – OSQ-ML-C-TM Weight:	
Medium - 23.2 lbs. (10.5kg);	
Large - 32.3 lbs. (14.7kg)	
Single	
Medium	Large
<b>0° Tilt</b>	
0.69	0.78
<b>45° Tilt</b>	
1.41	2.62
<b>90° Tilt</b>	
1.89	3.52

**Field Adjustable Output (Q9/Q8/Q7/Q6/Q5/Q4/Q3/Q2/Q1) Option Description:**

The Field Adjustable Output option enables the OSQ area luminaires to be tuned to the exact needs of a particular application through multiple levels of adjustment. When ordered with the Q option, the luminaire will be shipped from the factory at the selected Q setting and will be fully adjustable between the nine settings. When ordered with the N option, the luminaire will include an ANSI C136.15-2020 utility label that indicates the wattage (rounded to nearest 10W), the lumen output (rounded to nearest 1000 lumens), and the CCT of the luminaire at the selected lumen output. Additional dimming functionality is available when a dimming control (by others) is used in the 7-Pin receptacle.

**Locked Lumen Output (X8/X7/X6/X5/X4/X3/X2/X1) Option Description:**

The Locked Lumen Output option on this page permanently locks the lumen output on the OSQ area luminaire to the setting selected. When ordered with the X option, the luminaire will be shipped from the factory at the lumen output setting selected and will only be able to be adjusted down in the field through a dimming control [by others]. When ordered with the N option, the luminaire will include a utility label that indicates the wattage, lumen output, and CCT of the setting selected.

**Q & X Option Power & Lumen Data – 4L Lumen Package**

Q/X Option Setting	CCT/CRI	System Watts 120-277V	Lumen Values					Utility Label Wattage	Utility Label Lumens				
			Asymmetric	Symmetric	2B, 3B, AB (factory-in- stalled BLS)	4B (factory-installed BLS)	Asymmetric Lumens w/ External BLS		Asymmetric / Asymmetric w/ External BLS	Symmetric	2B, 3B, AB (factory-installed BLS)	4B (factory-installed BLS)	
Q9 (Full Power)	30K (70 CRI)	26	3,650	3,840	2,510	2,300	2,100	30	4000 L	4000 L	3000 L	2000 L	
	40K (70 CRI)		3,800	4,000	2,620	2,400	2,180		4000 L	4000 L	3000 L	2000 L	
	50K (90 CRI)		2,810	2,960	1,940	1,770	1,610		3000 L	3000 L	2000 L	2000 L	
	57K (70 CRI)		3,800	4,000	2,620	2,400	2,180		4000 L	4000 L	3000 L	2000 L	
Q8/X8	30K (70 CRI)	24	3,480	3,660	2,390	2,190	2,000	20	3000 L	4000 L	2000 L	2000 L	
	40K (70 CRI)		3,630	3,820	2,500	2,290	2,080		4000 L	4000 L	3000 L	2000 L	
	50K (90 CRI)		2,680	2,820	1,840	1,690	1,540		3000 L	3000 L	2000 L	2000 L	
	57K (70 CRI)		3,630	3,820	2,500	2,290	2,080		4000 L	4000 L	3000 L	2000 L	
Q7/X7	30K (70 CRI)	23	3,340	3,510	2,300	2,100	1,920	20	3000 L	4000 L	2000 L	2000 L	
	40K (70 CRI)		3,480	3,660	2,390	2,190	2,000		3000 L	4000 L	2000 L	2000 L	
	50K (90 CRI)		2,580	2,710	1,770	1,620	1,480		3000 L	3000 L	2000 L	2000 L	
	57K (70 CRI)		3,480	3,660	2,390	2,190	2,000		3000 L	4000 L	2000 L	2000 L	
Q6/X6	30K (70 CRI)	22	3,220	3,390	2,220	2,030	1,850	20	3000 L	3000 L	2000 L	2000 L	
	40K (70 CRI)		3,360	3,540	2,310	2,120	1,930		3000 L	4000 L	2000 L	2000 L	
	50K (90 CRI)		2,490	2,620	1,710	1,570	1,430		2000 L	3000 L	2000 L	2000 L	
	57K (70 CRI)		3,360	3,540	2,310	2,120	1,930		3000 L	4000 L	2000 L	2000 L	
Q5/X5	30K (70 CRI)	20	2,950	3,100	2,030	1,860	1,690	20	3000 L	3000 L	2000 L	2000 L	
	40K (70 CRI)		3,070	3,230	2,110	1,930	1,760		3000 L	3000 L	2000 L	2000 L	
	50K (90 CRI)		2,270	2,390	1,560	1,430	1,300		2000 L	2000 L	2000 L	1000 L	
	57K (70 CRI)		3,070	3,230	2,110	1,930	1,760		3000 L	3000 L	2000 L	2000 L	
Q4/X4	30K (70 CRI)	18	2,680	2,820	1,840	1,690	1,540	20	3000 L	3000 L	2000 L	2000 L	
	40K (70 CRI)		2,790	2,940	1,920	1,760	1,600		3000 L	3000 L	2000 L	2000 L	
	50K (90 CRI)		2,060	2,170	1,420	1,300	1,180		2000 L	2000 L	1000 L	1000 L	
	57K (70 CRI)		2,790	2,940	1,920	1,760	1,600		3000 L	3000 L	2000 L	2000 L	
Q3/X3	30K (70 CRI)	16	2,470	2,600	1,700	1,560	1,420	20	2000 L	3000 L	2000 L	2000 L	
	40K (70 CRI)		2,580	2,710	1,770	1,620	1,480		3000 L	3000 L	2000 L	2000 L	
	50K (90 CRI)		1,910	2,010	1,310	1,200	1,100		2000 L	2000 L	1000 L	1000 L	
	57K (70 CRI)		2,580	2,710	1,770	1,620	1,480		3000 L	3000 L	2000 L	2000 L	
Q2/X2	30K (70 CRI)	15	2,220	2,340	1,530	1,400	1,270	20	2000 L	2000 L	2000 L	1000 L	
	40K (70 CRI)		2,320	2,440	1,600	1,460	1,330		2000 L	2000 L	2000 L	1000 L	
	50K (90 CRI)		1,720	1,810	1,180	1,080	990		2000 L	2000 L	1000 L	1000 L	
	57K (70 CRI)		2,320	2,440	1,600	1,460	1,330		2000 L	2000 L	2000 L	1000 L	
Q1/X1	30K (70 CRI)	13	1,970	2,070	1,350	1,240	1,130	10	2000 L	2000 L	1000 L	1000 L	
	40K (70 CRI)		2,050	2,160	1,410	1,290	1,180		2000 L	2000 L	1000 L	1000 L	
	50K (90 CRI)		1,520	1,600	1,050	960	870		2000 L	2000 L	1000 L	1000 L	
	57K (70 CRI)		2,050	2,160	1,410	1,290	1,180		2000 L	2000 L	1000 L	1000 L	

**Field Adjustable Output (Q9/Q8/Q7/Q6/Q5/Q4/Q3/Q2/Q1) Option Description:**

The Field Adjustable Output option enables the OSQ area luminaires to be tuned to the exact needs of a particular application through multiple levels of adjustment. When ordered with the Q option, the luminaire will be shipped from the factory at the selected Q setting and will be fully adjustable between the nine settings. When ordered with the N option, the luminaire will include an ANSI C136.15-2020 utility label that indicates the wattage (rounded to nearest 10W), the lumen output (rounded to nearest 1000 lumens), and the CCT of the luminaire at the selected lumen output. Additional dimming functionality is available when a dimming control (by others) is used in the 7-Pin receptacle.

**Locked Lumen Output (X8/X7/X6/X5/X4/X3/X2/X1) Option Description:**

The Locked Lumen Output option on this page permanently locks the lumen output on the OSQ area luminaire to the setting selected. When ordered with the X option, the luminaire will be shipped from the factory at the lumen output setting selected and will only be able to be adjusted down in the field through a dimming control (by others). When ordered with the N option, the luminaire will include a utility label that indicates the wattage, lumen output, and CCT of the setting selected.

**Q & X Option Power & Lumen Data – 6L Lumen Package**

Q/X Option Setting	CCT/CRI	System Watts 120-277V	Lumen Values					Utility Label Wattage	Utility Label Lumens			
			Asymmetric	Symmetric	2B, 3B, AB (factory-installed BLS)	4B (factory-installed BLS)	Asymmetric Lumens w/External BLS		Asymmetric / Asymmetric w/ External BLS	Symmetric	2B, 3B, AB (factory-installed BLS)	4B (factory-installed BLS)
Q9 (Full Power)	30K (70 CRI)	37	5,475	5,750	3,760	3,440	3,140	40	5000 L	6000 L	4000 L	3000 L
	40K (70 CRI)		5,700	6,000	3,920	3,590	3,270		6000 L	6000 L	4000 L	4000 L
	50K (90 CRI)		4,220	4,440	2,900	2,660	2,420		4000 L	4000 L	3000 L	3000 L
	57K (70 CRI)		5,700	6,000	3,920	3,590	3,270		6000 L	6000 L	4000 L	4000 L
Q8/X8	30K (70 CRI)	36	5,200	5,475	3,580	3,280	2,980	40	5000 L	5000 L	4000 L	3000 L
	40K (70 CRI)		5,450	5,725	3,740	3,430	3,130		5000 L	6000 L	4000 L	3000 L
	50K (90 CRI)		4,030	4,240	2,770	2,540	2,310		4000 L	4000 L	3000 L	3000 L
	57K (70 CRI)		5,450	5,725	3,740	3,430	3,130		5000 L	6000 L	4000 L	3000 L
Q7/X7	30K (70 CRI)	34	4,990	5,250	3,430	3,140	2,860	30	5000 L	5000 L	3000 L	3000 L
	40K (70 CRI)		5,200	5,475	3,580	3,280	2,980		5000 L	5000 L	4000 L	3000 L
	50K (90 CRI)		3,860	4,060	2,650	2,430	2,220		4000 L	4000 L	3000 L	2000 L
	57K (70 CRI)		5,200	5,475	3,580	3,280	2,980		5000 L	5000 L	4000 L	3000 L
Q6/X6	30K (70 CRI)	32	4,820	5,075	3,320	3,040	2,770	30	5000 L	5000 L	3000 L	3000 L
	40K (70 CRI)		5,050	5,300	3,470	3,170	2,900		5000 L	5000 L	3000 L	3000 L
	50K (90 CRI)		3,730	3,920	2,560	2,350	2,140		4000 L	4000 L	3000 L	2000 L
	57K (70 CRI)		5,050	5,300	3,470	3,170	2,900		5000 L	5000 L	3000 L	3000 L
Q5/X5	30K (70 CRI)	29	4,420	4,650	3,040	2,780	2,540	30	4000 L	5000 L	3000 L	3000 L
	40K (70 CRI)		4,610	4,850	3,170	2,900	2,650		5000 L	5000 L	3000 L	3000 L
	50K (90 CRI)		3,410	3,590	2,350	2,150	1,960		3000 L	4000 L	2000 L	2000 L
	57K (70 CRI)		4,610	4,850	3,170	2,900	2,650		5000 L	5000 L	3000 L	3000 L
Q4/X4	30K (70 CRI)	27	4,010	4,220	2,760	2,530	2,300	30	4000 L	4000 L	3000 L	3000 L
	40K (70 CRI)		4,180	4,400	2,880	2,640	2,400		4000 L	4000 L	3000 L	3000 L
	50K (90 CRI)		3,100	3,260	2,130	1,950	1,780		3000 L	3000 L	2000 L	2000 L
	57K (70 CRI)		4,180	4,400	2,880	2,640	2,400		4000 L	4000 L	3000 L	3000 L
Q3/X3	30K (70 CRI)	24	3,710	3,900	2,550	2,340	2,130	20	4000 L	4000 L	3000 L	2000 L
	40K (70 CRI)		3,870	4,070	2,660	2,440	2,220		4000 L	4000 L	3000 L	2000 L
	50K (90 CRI)		2,860	3,010	1,970	1,800	1,640		3000 L	3000 L	2000 L	2000 L
	57K (70 CRI)		3,870	4,070	2,660	2,440	2,220		4000 L	4000 L	3000 L	2000 L
Q2/X2	30K (70 CRI)	21	3,340	3,510	2,300	2,100	1,920	20	3000 L	4000 L	2000 L	2000 L
	40K (70 CRI)		3,480	3,660	2,390	2,190	2,000		3000 L	4000 L	2000 L	2000 L
	50K (90 CRI)		2,580	2,710	1,770	1,620	1,480		3000 L	3000 L	2000 L	2000 L
	57K (70 CRI)		3,480	3,660	2,390	2,190	2,000		3000 L	4000 L	2000 L	2000 L
Q1/X1	30K (70 CRI)	19	2,950	3,100	2,030	1,860	1,690	20	3000 L	3000 L	2000 L	2000 L
	40K (70 CRI)		3,070	3,230	2,110	1,930	1,760		3000 L	3000 L	2000 L	2000 L
	50K (90 CRI)		2,270	2,390	1,560	1,430	1,300		2000 L	2000 L	2000 L	1000 L
	57K (70 CRI)		3,070	3,230	2,110	1,930	1,760		3000 L	3000 L	2000 L	2000 L



**Field Adjustable Output (Q9/Q8/Q7/Q6/Q5/Q4/Q3/Q2/Q1) Option Description:**

The Field Adjustable Output option enables the OSQ area luminaires to be tuned to the exact needs of a particular application through multiple levels of adjustment. When ordered with the Q option, the luminaire will be shipped from the factory at the selected Q setting and will be fully adjustable between the nine settings. When ordered with the N option, the luminaire will include an ANSI C136.15-2020 utility label that indicates the wattage (rounded to nearest 10W), the lumen output (rounded to nearest 1000 lumens), and the CCT of the luminaire at the selected lumen output. Additional dimming functionality is available when a dimming control (by others) is used in the 7-Pin receptacle.

**Locked Lumen Output (X8/X7/X6/X5/X4/X3/X2/X1) Option Description:**

The Locked Lumen Output option on this page permanently locks the lumen output on the OSQ area luminaire to the setting selected. When ordered with the X option, the luminaire will be shipped from the factory at the lumen output setting selected and will only be able to be adjusted down in the field through a dimming control (by others). When ordered with the N option, the luminaire will include a utility label that indicates the wattage, lumen output, and CCT of the setting selected.

**Q & X Option Power & Lumen Data – 9L Lumen Package**

Q/X Option Setting	CCT/CRI	System Watts 120-277V	Lumen Values					Utility Label Wattage	Utility Label Lumens			
			Asymmetric	Symmetric	2B, 3B, AB (factory-installed BLS)	4B (factory-installed BLS)	Asymmetric Lumens w/External BLS		Asymmetric / Asymmetric w/ External BLS	Symmetric	2B, 3B, AB (factory-installed BLS)	4B (factory-installed BLS)
Q9 (Full Power)	30K (70 CRI)	55	8,225	8,650	5,650	5,175	4,720	60	8000 L	9000 L	6000 L	5000 L
	40K (70 CRI)		8,550	9,000	5,875	5,400	4,910		9000 L	9000 L	6000 L	5000 L
	50K (90 CRI)		6,325	6,650	4,350	3,980	3,630		6000 L	7000 L	4000 L	4000 L
	57K (70 CRI)		8,550	9,000	5,875	5,400	4,910		9000 L	9000 L	6000 L	5000 L
Q8/X8	30K (70 CRI)	53	7,850	8,250	5,400	4,940	4,510	50	8000 L	8000 L	5000 L	5000 L
	40K (70 CRI)		8,150	8,575	5,600	5,125	4,680		8000 L	9000 L	6000 L	5000 L
	50K (90 CRI)		6,025	6,350	4,150	3,800	3,460		6000 L	6000 L	4000 L	4000 L
	57K (70 CRI)		8,150	8,575	5,600	5,125	4,680		8000 L	9000 L	6000 L	5000 L
Q7/X7	30K (70 CRI)	50	7,500	7,900	5,175	4,730	4,310	50	8000 L	8000 L	5000 L	5000 L
	40K (70 CRI)		7,825	8,225	5,375	4,930	4,490		8000 L	8000 L	5000 L	5000 L
	50K (90 CRI)		5,775	6,075	3,970	3,640	3,310		6000 L	6000 L	4000 L	4000 L
	57K (70 CRI)		7,825	8,225	5,375	4,930	4,490		8000 L	8000 L	5000 L	5000 L
Q6/X6	30K (70 CRI)	48	7,275	7,650	5,000	4,580	4,180	50	7000 L	8000 L	5000 L	5000 L
	40K (70 CRI)		7,550	7,950	5,200	4,760	4,330		8000 L	8000 L	5000 L	5000 L
	50K (90 CRI)		5,575	5,875	3,840	3,520	3,200		6000 L	6000 L	4000 L	4000 L
	57K (70 CRI)		7,550	7,950	5,200	4,760	4,330		8000 L	8000 L	5000 L	5000 L
Q5/X5	30K (70 CRI)	43	6,650	7,000	4,580	4,190	3,820	40	7000 L	7000 L	5000 L	4000 L
	40K (70 CRI)		6,925	7,275	4,760	4,360	3,980		7000 L	7000 L	5000 L	4000 L
	50K (90 CRI)		5,100	5,375	3,510	3,220	2,930		5000 L	5000 L	4000 L	3000 L
	57K (70 CRI)		6,925	7,275	4,760	4,360	3,980		7000 L	7000 L	5000 L	4000 L
Q4/X4	30K (70 CRI)	40	6,025	6,350	4,150	3,800	3,460	40	6000 L	6000 L	4000 L	4000 L
	40K (70 CRI)		6,275	6,600	4,320	3,950	3,600		6000 L	7000 L	4000 L	4000 L
	50K (90 CRI)		4,640	4,880	3,190	2,920	2,660		5000 L	5000 L	3000 L	3000 L
	57K (70 CRI)		6,275	6,600	4,320	3,950	3,600		6000 L	7000 L	4000 L	4000 L
Q3/X3	30K (70 CRI)	36	5,575	5,875	3,840	3,520	3,200	40	6000 L	6000 L	4000 L	4000 L
	40K (70 CRI)		5,800	6,100	3,990	3,650	3,330		6000 L	6000 L	4000 L	4000 L
	50K (90 CRI)		4,290	4,510	2,950	2,700	2,460		4000 L	5000 L	3000 L	3000 L
	57K (70 CRI)		5,800	6,100	3,990	3,650	3,330		6000 L	6000 L	4000 L	4000 L
Q2/X2*	30K (70 CRI)	32	5,025	5,275	3,450	3,160	2,880	30	5000 L	5000 L	3000 L	3000 L
	40K (70 CRI)		5,225	5,500	3,600	3,290	3,000		5000 L	6000 L	4000 L	3000 L
	50K (90 CRI)		3,860	4,060	2,650	2,430	2,220		4000 L	4000 L	3000 L	2000 L
	57K (70 CRI)		5,225	5,500	3,600	3,290	3,000		5000 L	6000 L	4000 L	3000 L
Q1/X1*	30K (70 CRI)	29	4,430	4,660	3,050	2,790	2,540	30	4000 L	5000 L	3000 L	3000 L
	40K (70 CRI)		4,610	4,850	3,170	2,900	2,650		5000 L	5000 L	3000 L	3000 L
	50K (90 CRI)		3,400	3,580	2,340	2,140	1,950		3000 L	4000 L	2000 L	2000 L
	57K (70 CRI)		4,610	4,850	3,170	2,900	2,650		5000 L	5000 L	3000 L	3000 L

\* X2 and X1 options not available with 9L lumen package with UL voltage.

**Field Adjustable Output (Q9/Q8/Q7/Q6/Q5/Q4/Q3/Q2/Q1) Option Description:**

The Field Adjustable Output option enables the OSQ area luminaires to be tuned to the exact needs of a particular application through multiple levels of adjustment. When ordered with the Q option, the luminaire will be shipped from the factory at the selected Q setting and will be fully adjustable between the nine settings. When ordered with the N option, the luminaire will include an ANSI C136.15-2020 utility label that indicates the wattage (rounded to nearest 10W), the lumen output (rounded to nearest 1000 lumens), and the CCT of the luminaire at the selected lumen output. Additional dimming functionality is available when a dimming control (by others) is used in the 7-Pin receptacle.

**Locked Lumen Output (X8/X7/X6/X5/X4/X3/X2/X1) Option Description:**

The Locked Lumen Output option on this page permanently locks the lumen output on the OSQ area luminaire to the setting selected. When ordered with the X option, the luminaire will be shipped from the factory at the lumen output setting selected and will only be able to be adjusted down in the field through a dimming control (by others). When ordered with the N option, the luminaire will include a utility label that indicates the wattage, lumen output, and CCT of the setting selected.

**Q & X Option Power & Lumen Data – 11L Lumen Package**

Q/X Option Setting	CCT/CRI	System Watts 120-277V	Lumen Values					Utility Label Wattage	Utility Label Lumens			
			Asymmetric	Symmetric	2B, 3B, AB (factory-installed BLS)	4B (factory-installed BLS)	Asymmetric Lumens w/ External BLS		Asymmetric / Asymmetric w/ External BLS	Symmetric	2B, 3B, AB (factory-installed BLS)	4B (factory-installed BLS)
Q9 (Full Power)	30K (70 CRI)	68	10,025	10,550	6,900	6,325	5,750	70	10000 L	11000 L	7000 L	6000 L
	40K (70 CRI)		10,450	11,000	7,200	6,600	6,000		10000 L	11000 L	7000 L	7000 L
	50K (90 CRI)		7,750	8,150	5,325	4,880	4,450		8000 L	8000 L	5000 L	5000 L
	57K (70 CRI)		10,450	11,000	7,200	6,600	5,750		10000 L	11000 L	7000 L	7000 L
Q8/X8	30K (70 CRI)	65	9,575	10,075	6,600	6,025	5,500	70	10000 L	10000 L	7000 L	6000 L
	40K (70 CRI)		9,975	10,500	6,875	6,300	5,725		10000 L	11000 L	7000 L	6000 L
	50K (90 CRI)		7,400	7,775	5,075	4,660	4,250		7000 L	8000 L	5000 L	5000 L
	57K (70 CRI)		9,975	10,500	6,875	6,300	5,725		10000 L	11000 L	7000 L	6000 L
Q7/X7	30K (70 CRI)	62	9,175	9,650	6,300	5,775	5,275	60	9000 L	10000 L	6000 L	6000 L
	40K (70 CRI)		9,550	10,050	6,575	6,025	5,475		10000 L	10000 L	7000 L	6000 L
	50K (90 CRI)		7,075	7,450	4,870	4,460	4,060		7000 L	7000 L	5000 L	4000 L
	57K (70 CRI)		9,550	10,050	6,575	6,025	5,475		10000 L	10000 L	7000 L	6000 L
Q6/X6	30K (70 CRI)	59	8,875	9,325	6,100	5,575	5,100	60	9000 L	9000 L	6000 L	6000 L
	40K (70 CRI)		9,250	9,725	6,350	5,825	5,300		9000 L	10000 L	6000 L	6000 L
	50K (90 CRI)		6,850	7,200	4,710	4,310	3,930		7000 L	7000 L	5000 L	4000 L
	57K (70 CRI)		9,250	9,725	6,350	5,825	5,300		9000 L	10000 L	6000 L	6000 L
Q5/X5	30K (70 CRI)	53	8,100	8,525	5,575	5,100	4,650	50	8000 L	9000 L	6000 L	5000 L
	40K (70 CRI)		8,450	8,900	5,825	5,325	4,850		8000 L	9000 L	6000 L	5000 L
	50K (90 CRI)		6,250	6,575	4,300	3,940	3,590		6000 L	7000 L	4000 L	4000 L
	57K (70 CRI)		8,450	8,900	5,825	5,325	4,850		8000 L	9000 L	6000 L	5000 L
Q4/X4	30K (70 CRI)	49	7,375	7,750	5,075	4,640	4,230	50	7000 L	8000 L	5000 L	5000 L
	40K (70 CRI)		7,675	8,075	5,275	4,840	4,410		8000 L	8000 L	5000 L	5000 L
	50K (90 CRI)		5,675	5,975	3,910	3,580	3,260		6000 L	6000 L	4000 L	4000 L
	57K (70 CRI)		7,675	8,075	5,275	4,840	4,410		8000 L	8000 L	5000 L	5000 L
Q3/X3	30K (70 CRI)	44	6,800	7,150	4,680	4,280	3,900	40	7000 L	7000 L	5000 L	4000 L
	40K (70 CRI)		7,075	7,450	4,870	4,460	4,060		7000 L	7000 L	5000 L	4000 L
	50K (90 CRI)		5,250	5,525	3,610	3,310	3,010		5000 L	6000 L	4000 L	3000 L
	57K (70 CRI)		7,075	7,450	4,870	4,460	4,060		7000 L	7000 L	5000 L	4000 L
Q2/X2	30K (70 CRI)	39	6,100	6,425	4,200	3,850	3,500	40	6000 L	6000 L	4000 L	4000 L
	40K (70 CRI)		6,375	6,700	4,380	4,010	3,660		6000 L	7000 L	4000 L	4000 L
	50K (90 CRI)		4,720	4,970	3,250	2,980	2,710		5000 L	5000 L	3000 L	3000 L
	57K (70 CRI)		6,375	6,700	4,380	4,010	3,660		6000 L	7000 L	4000 L	4000 L
Q1/X1	30K (70 CRI)	35	5,400	5,675	3,710	3,400	3,100	40	5000 L	6000 L	4000 L	3000 L
	40K (70 CRI)		5,625	5,925	3,870	3,550	3,230		6000 L	6000 L	4000 L	4000 L
	50K (90 CRI)		4,170	4,390	2,870	2,630	2,390		4000 L	4000 L	3000 L	3000 L
	57K (70 CRI)		5,625	5,925	3,870	3,550	3,230		6000 L	6000 L	4000 L	4000 L

**Field Adjustable Output (Q9/Q8/Q7/Q6/Q5/Q4/Q3/Q2/Q1) Option Description:**

The Field Adjustable Output option enables the OSQ area luminaires to be tuned to the exact needs of a particular application through multiple levels of adjustment. When ordered with the Q option, the luminaire will be shipped from the factory at the selected Q setting and will be fully adjustable between the nine settings. When ordered with the N option, the luminaire will include an ANSI C136.15-2020 utility label that indicates the wattage (rounded to nearest 10W), the lumen output (rounded to nearest 1000 lumens), and the CCT of the luminaire at the selected lumen output. Additional dimming functionality is available when a dimming control (by others) is used in the 7-Pin receptacle.

**Locked Lumen Output (X8/X7/X6/X5/X4/X3/X2/X1) Option Description:**

The Locked Lumen Output option on this page permanently locks the lumen output on the OSQ area luminaire to the setting selected. When ordered with the X option, the luminaire will be shipped from the factory at the lumen output setting selected and will only be able to be adjusted down in the field through a dimming control (by others). When ordered with the N option, the luminaire will include a utility label that indicates the wattage, lumen output, and CCT of the setting selected.

**Q & X Option Power & Lumen Data – 16L Lumen Package**

Q/X Option Setting	CCT/CRI	System Watts 120-277V	Lumen Values					Utility Label Wattage	Utility Label Lumens			
			Asymmetric	Symmetric	2B, 3B, AB (factory-installed BLS)	4B (factory-installed BLS)	Asymmetric Lumens w/External BLS		Asymmetric / Asymmetric w/ External BLS	Symmetric	2B, 3B, AB (factory-installed BLS)	4B (factory-installed BLS)
Q9 (Full Power)	30K (70 CRI)	97	14,650	15,400	10,075	9,225	8,400	100	15000 L	15000 L	10000 L	9000 L
	40K (70 CRI)		15,200	16,000	10,450	9,575	8,725		15000 L	16000 L	10000 L	10000 L
	50K (90 CRI)		11,275	11,850	7,750	7,100	6,475		11000 L	12000 L	8000 L	7000 L
	57K (70 CRI)		15,200	16,000	10,450	9,575	8,725		15000 L	16000 L	10000 L	10000 L
Q8/X8	30K (70 CRI)	93	13,975	14,700	9,600	8,800	8,025	90	14000 L	15000 L	10000 L	9000 L
	40K (70 CRI)		14,550	15,300	10,000	9,175	8,350		15000 L	15000 L	10000 L	9000 L
	50K (90 CRI)		10,750	11,300	7,400	6,775	6,175		11000 L	11000 L	7000 L	7000 L
	57K (70 CRI)		14,550	15,300	10,000	9,175	8,350		15000 L	15000 L	10000 L	9000 L
Q7/X7	30K (70 CRI)	87	13,375	14,075	9,200	8,425	7,675	90	13000 L	14000 L	9000 L	8000 L
	40K (70 CRI)		13,900	14,625	9,575	8,750	7,975		14000 L	15000 L	10000 L	9000 L
	50K (90 CRI)		10,300	10,825	7,075	6,475	5,900		10000 L	11000 L	7000 L	6000 L
	57K (70 CRI)		13,900	14,625	9,575	8,750	7,975		14000 L	15000 L	10000 L	9000 L
Q6/X6	30K (70 CRI)	84	12,950	13,625	8,900	8,150	7,425	80	13000 L	14000 L	9000 L	8000 L
	40K (70 CRI)		13,450	14,150	9,250	8,475	7,725		13000 L	14000 L	9000 L	8000 L
	50K (90 CRI)		9,950	10,475	6,850	6,275	5,700		10000 L	10000 L	7000 L	6000 L
	57K (70 CRI)		13,450	14,150	9,250	8,475	7,725		13000 L	14000 L	9000 L	8000 L
Q5/X5	30K (70 CRI)	76	11,825	12,450	8,150	7,450	6,800	80	12000 L	12000 L	8000 L	7000 L
	40K (70 CRI)		12,275	12,925	8,450	7,750	7,050		12000 L	13000 L	8000 L	8000 L
	50K (90 CRI)		9,100	9,575	6,250	5,725	5,225		9000 L	10000 L	6000 L	6000 L
	57K (70 CRI)		12,275	12,925	8,450	7,750	7,050		12000 L	13000 L	8000 L	8000 L
Q4/X4	30K (70 CRI)	70	10,750	11,300	7,400	6,775	6,175	70	11000 L	11000 L	7000 L	7000 L
	40K (70 CRI)		11,175	11,750	7,675	7,025	6,425		11000 L	12000 L	8000 L	7000 L
	50K (90 CRI)		8,275	8,700	5,700	5,200	4,750		8000 L	9000 L	6000 L	5000 L
	57K (70 CRI)		11,175	11,750	7,675	7,025	6,425		11000 L	12000 L	8000 L	7000 L
Q3/X3	30K (70 CRI)	62	9,925	10,450	6,825	6,250	5,700	60	10000 L	10000 L	7000 L	6000 L
	40K (70 CRI)		10,325	10,850	7,100	6,500	5,925		10000 L	11000 L	7000 L	7000 L
	50K (90 CRI)		7,625	8,025	5,250	4,810	4,380		8000 L	8000 L	5000 L	5000 L
	57K (70 CRI)		10,325	10,850	7,100	6,500	5,925		10000 L	11000 L	7000 L	7000 L
Q2/X2	30K (70 CRI)	55	8,925	9,400	6,150	5,625	5,125	60	9000 L	9000 L	6000 L	6000 L
	40K (70 CRI)		9,275	9,750	6,375	5,850	5,325		9000 L	10000 L	6000 L	6000 L
	50K (90 CRI)		6,875	7,225	4,720	4,330	3,950		7000 L	7000 L	5000 L	4000 L
	57K (70 CRI)		9,275	9,750	6,375	5,850	5,325		9000 L	10000 L	6000 L	6000 L
Q1*	30K (70 CRI)	50	7,900	8,300	5,425	4,970	4,530	50	8000 L	8000 L	5000 L	5000 L
	40K (70 CRI)		8,200	8,625	5,650	5,175	4,710		8000 L	9000 L	6000 L	5000 L
	50K (90 CRI)		6,050	6,375	4,170	3,820	3,470		6000 L	6000 L	4000 L	4000 L
	57K (70 CRI)		8,200	8,625	5,650	5,175	4,710		8000 L	9000 L	6000 L	5000 L

\* X1 option not available with 16L lumen package.

**Field Adjustable Output (Q9/Q8/Q7/Q6/Q5/Q4/Q3/Q2/Q1) Option Description:**

The Field Adjustable Output option enables the OSQ area luminaires to be tuned to the exact needs of a particular application through multiple levels of adjustment. When ordered with the Q option, the luminaire will be shipped from the factory at the selected Q setting and will be fully adjustable between the nine settings. When ordered with the N option, the luminaire will include an ANSI C136.15-2020 utility label that indicates the wattage (rounded to nearest 10W), the lumen output (rounded to nearest 1000 lumens), and the CCT of the luminaire at the selected lumen output. Additional dimming functionality is available when a dimming control (by others) is used in the 7-Pin receptacle.

**Locked Lumen Output (X8/X7/X6/X5/X4/X3/X2/X1) Option Description:**

The Locked Lumen Output option on this page permanently locks the lumen output on the OSQ area luminaire to the setting selected. When ordered with the X option, the luminaire will be shipped from the factory at the lumen output setting selected and will only be able to be adjusted down in the field through a dimming control (by others). When ordered with the N option, the luminaire will include a utility label that indicates the wattage, lumen output, and CCT of the setting selected.

**Q & X Option Power & Lumen Data – 22L Lumen Package**

Q/X Option Setting	CCT/CRI	System Watts 120-277V	Lumen Values					Utility Label Wattage	Utility Label Lumens			
			Asymmetric	Symmetric	2B, 3B, AB (factory-installed BLS)	4B (factory-installed BLS)	Asymmetric Lumens w/ External BLS		Asymmetric / Asymmetric w/ External BLS	Symmetric	2B, 3B, AB (factory-installed BLS)	4B (factory-installed BLS)
Q9 (Full Power)	30K (70 CRI)	131	20,100	21,100	13,800	12,625	11,550	130	2000 L	21000 L	14000 L	13000 L
	40K (70 CRI)		20,900	22,000	14,375	13,175	12,000		21000 L	22000 L	14000 L	13000 L
	50K (90 CRI)		15,500	16,300	10,650	9,750	8,900		16000 L	16000 L	11000 L	10000 L
	57K (70 CRI)		20,900	22,000	14,375	13,175	12,000		21000 L	22000 L	14000 L	13000 L
Q8/X8	30K (70 CRI)	126	19,100	20,100	13,150	12,050	10,975	130	19000 L	20000 L	13000 L	12000 L
	40K (70 CRI)		20,000	21,000	13,725	12,575	11,475		20000 L	21000 L	14000 L	13000 L
	50K (90 CRI)		14,825	15,600	10,200	9,350	8,500		15000 L	16000 L	10000 L	9000 L
	57K (70 CRI)		20,000	21,000	13,725	12,575	11,475		20000 L	21000 L	14000 L	13000 L
Q7/X7	30K (70 CRI)	119	18,300	19,300	12,625	11,550	10,500	120	18000 L	19000 L	13000 L	12000 L
	40K (70 CRI)		19,100	20,100	13,150	12,050	10,975		19000 L	20000 L	13000 L	12000 L
	50K (90 CRI)		14,175	14,900	9,750	8,925	8,125		14000 L	15000 L	10000 L	9000 L
	57K (70 CRI)		19,100	20,100	13,150	12,050	10,975		19000 L	20000 L	13000 L	12000 L
Q6/X6	30K (70 CRI)	114	17,800	18,700	12,225	11,200	10,225	110	18000 L	19000 L	12000 L	11000 L
	40K (70 CRI)		18,400	19,400	12,675	11,625	10,550		18000 L	19000 L	13000 L	12000 L
	50K (90 CRI)		13,700	14,400	9,425	8,625	7,875		14000 L	14000 L	9000 L	9000 L
	57K (70 CRI)		18,400	19,400	12,675	11,625	10,550		18000 L	19000 L	13000 L	12000 L
Q5/X5	30K (70 CRI)	103	16,200	17,000	11,125	10,175	9,300	100	16000 L	17000 L	11000 L	10000 L
	40K (70 CRI)		16,900	17,800	11,650	10,650	9,700		17000 L	18000 L	12000 L	11000 L
	50K (90 CRI)		12,525	13,175	8,625	7,900	7,200		13000 L	13000 L	9000 L	8000 L
	57K (70 CRI)		16,900	17,800	11,650	10,650	9,700		17000 L	18000 L	12000 L	11000 L
Q4/X4	30K (70 CRI)	95	14,725	15,500	10,125	9,275	8,450	100	15000 L	16000 L	10000 L	9000 L
	40K (70 CRI)		15,300	16,100	10,525	9,650	8,775		15000 L	16000 L	11000 L	10000 L
	50K (90 CRI)		11,375	11,975	7,825	7,175	6,525		11000 L	12000 L	8000 L	7000 L
	57K (70 CRI)		15,300	16,100	10,525	9,650	8,775		15000 L	16000 L	11000 L	10000 L
Q3/X3	30K (70 CRI)	84	13,600	14,300	9,350	8,575	7,800	80	14000 L	14000 L	9000 L	9000 L
	40K (70 CRI)		14,175	14,925	9,750	8,950	8,125		14000 L	15000 L	10000 L	9000 L
	50K (90 CRI)		10,500	11,050	7,225	6,625	6,025		11000 L	11000 L	7000 L	7000 L
	57K (70 CRI)		14,175	14,925	9,750	8,950	8,125		14000 L	15000 L	10000 L	9000 L
Q2/X2	30K (70 CRI)	75	12,250	12,875	8,425	7,700	7,025	80	12000 L	13000 L	8000 L	8000 L
	40K (70 CRI)		12,750	13,425	8,775	8,050	7,325		13000 L	13000 L	9000 L	8000 L
	50K (90 CRI)		9,450	9,950	6,500	5,950	5,425		9000 L	10000 L	7000 L	6000 L
	57K (70 CRI)		12,750	13,425	8,775	8,050	7,325		13000 L	13000 L	9000 L	8000 L
Q1/X1	30K (70 CRI)	68	10,825	11,375	7,450	6,825	6,225	70	11000 L	11000 L	7000 L	7000 L
	40K (70 CRI)		11,275	11,850	7,750	7,100	6,475		11000 L	12000 L	8000 L	7000 L
	50K (90 CRI)		8,350	8,775	5,750	5,250	4,790		8000 L	9000 L	6000 L	5000 L
	57K (70 CRI)		11,275	11,850	7,750	7,100	6,475		11000 L	12000 L	8000 L	7000 L

**Field Adjustable Output (Q9/Q8/Q7/Q6/Q5/Q4/Q3/Q2/Q1) Option Description:**

The Field Adjustable Output option enables the OSQ area luminaires to be tuned to the exact needs of a particular application through multiple levels of adjustment. When ordered with the Q option, the luminaire will be shipped from the factory at the selected Q setting and will be fully adjustable between the nine settings. When ordered with the N option, the luminaire will include an ANSI C136.15-2020 utility label that indicates the wattage (rounded to nearest 10W), the lumen output (<= 24,000 lumens rounded to nearest 1000 lumens, > 24,001 lumens rounded to the nearest 2000 lumens), and the CCT of the luminaire at the selected lumen output. Additional dimming functionality is available when a dimming control (by others) is used in the 7-Pin receptacle.

**Locked Lumen Output (X8/X7/X6/X5/X4/X3/X2/X1) Option Description:**

The Locked Lumen Output option on this page permanently locks the lumen output on the OSQ area luminaire to the setting selected. When ordered with the X option, the luminaire will be shipped from the factory at the lumen output setting selected and will only be able to be adjusted down in the field through a dimming control (by others). When ordered with the N option, the luminaire will include a utility label that indicates the wattage, lumen output, and CCT of the setting selected.

**Q & X Option Power & Lumen Data – 30L Lumen Package**

Q/X Option Setting	CCT/CRI	System Watts 120-277V	Lumen Values					Utility Label Wattage	Utility Label Lumens			
			Asymmetric	Symmetric	2B, 3B, AB (factory-installed BLS)	4B (factory-installed BLS)	Asymmetric Lumens w/ External BLS		Asymmetric / Asymmetric w/ External BLS	Symmetric	2B, 3B, AB (factory-installed BLS)	4B (factory-installed BLS)
Q9 (Full Power)	30K (70 CRI)	175	27,400	28,800	18,800	17,200	15,700	180	28000 L	28000 L	19000 L	17000 L
	40K (70 CRI)		28,500	30,000	19,600	18,000	16,400		28000 L	30000 L	20000 L	18000 L
	50K (90 CRI)		21,100	22,200	14,525	13,300	12,100		21000 L	22000 L	15000 L	13000 L
	57K (70 CRI)		28,500	30,000	19,600	18,000	16,400		28000 L	30000 L	20000 L	18000 L
Q8/X8	30K (70 CRI)	168	26,100	27,500	18,000	16,500	14,975	170	26000 L	28000 L	18000 L	17000 L
	40K (70 CRI)		27,200	28,600	18,700	17,100	15,600		28000 L	28000 L	19000 L	17000 L
	50K (90 CRI)		20,200	21,200	13,850	12,700	11,600		20000 L	21000 L	14000 L	13000 L
	57K (70 CRI)		27,200	28,600	18,700	17,100	15,600		28000 L	28000 L	19000 L	17000 L
Q7/X7	30K (70 CRI)	158	25,000	26,300	17,200	15,800	14,350	160	26000 L	26000 L	17000 L	16000 L
	40K (70 CRI)		26,000	27,400	17,900	16,400	14,925		26000 L	28000 L	18000 L	16000 L
	50K (90 CRI)		19,300	20,300	13,275	12,150	11,075		19000 L	20000 L	13000 L	12000 L
	57K (70 CRI)		26,000	27,400	17,900	16,400	14,925		26000 L	28000 L	18000 L	16000 L
Q6/X6	30K (70 CRI)	152	24,200	25,500	16,700	15,300	13,900	150	24000 L	26000 L	17000 L	15000 L
	40K (70 CRI)		25,200	26,500	17,300	15,900	14,475		26000 L	26000 L	17000 L	16000 L
	50K (90 CRI)		18,600	19,600	12,825	11,750	10,675		19000 L	20000 L	13000 L	12000 L
	57K (70 CRI)		25,200	26,500	17,300	15,900	14,475		26000 L	26000 L	17000 L	16000 L
Q5/X5	30K (70 CRI)	137	22,100	23,300	15,200	13,950	12,675	140	22000 L	23000 L	15000 L	14000 L
	40K (70 CRI)		23,000	24,200	15,800	14,500	13,200		23000 L	24000 L	16000 L	15000 L
	50K (90 CRI)		17,000	17,900	11,700	10,725	9,750		17000 L	18000 L	12000 L	11000 L
	57K (70 CRI)		23,000	24,200	15,800	14,500	13,200		23000 L	24000 L	16000 L	15000 L
Q4/X4	30K (70 CRI)	126	20,100	21,100	13,800	12,625	11,550	130	20000 L	21000 L	14000 L	13000 L
	40K (70 CRI)		20,900	22,000	14,375	13,175	12,000		21000 L	22000 L	14000 L	13000 L
	50K (90 CRI)		15,500	16,300	10,650	9,750	8,900		16000 L	16000 L	11000 L	10000 L
	57K (70 CRI)		20,900	22,000	14,375	13,175	12,000		21000 L	22000 L	14000 L	13000 L
Q3/X3	30K (70 CRI)	113	18,500	19,500	12,750	11,675	10,625	110	19000 L	20000 L	13000 L	12000 L
	40K (70 CRI)		19,300	20,300	13,275	12,150	11,075		19000 L	20000 L	13000 L	12000 L
	50K (90 CRI)		14,350	15,100	9,875	9,050	8,225		14000 L	15000 L	10000 L	9000 L
	57K (70 CRI)		19,300	20,300	13,275	12,150	11,075		19000 L	20000 L	13000 L	12000 L
Q2/X2	30K (70 CRI)	100	16,700	17,600	11,500	10,550	9,575	100	17000 L	18000 L	12000 L	11000 L
	40K (70 CRI)		17,400	18,300	11,975	10,950	10,000		17000 L	18000 L	12000 L	11000 L
	50K (90 CRI)		12,875	13,550	8,850	8,125	7,400		13000 L	14000 L	9000 L	8000 L
	57K (70 CRI)		17,400	18,300	11,975	10,950	10,000		17000 L	18000 L	12000 L	11000 L
Q1*	30K (70 CRI)	90	14,725	15,500	10,125	9,275	8,450	90	15000 L	16000 L	10000 L	9000 L
	40K (70 CRI)		15,400	16,200	10,600	9,700	8,850		15000 L	16000 L	11000 L	10000 L
	50K (90 CRI)		11,375	11,975	7,825	7,175	6,525		11000 L	12000 L	8000 L	7000 L
	57K (70 CRI)		15,400	16,200	10,600	9,700	8,850		15000 L	16000 L	11000 L	10000 L

\* X1 option not available with 30L lumen package.

**Field Adjustable Output (Q9/Q8/Q7/Q6/Q5/Q4/Q3/Q2/Q1) Option Description:**

The Field Adjustable Output option enables the OSQ area luminaires to be tuned to the exact needs of a particular application through multiple levels of adjustment. When ordered with the Q option, the luminaire will be shipped from the factory at the selected Q setting and will be fully adjustable between the nine settings. When ordered with the N option, the luminaire will include an ANSI C136.15-2020 utility label that indicates the wattage (rounded to nearest 10W), the lumen output (<= 24,000 lumens rounded to nearest 1000 lumens, > 24,001 lumens rounded to the nearest 2000 lumens), and the CCT of the luminaire at the selected lumen output. Additional dimming functionality is available when a dimming control (by others) is used in the 7-Pin receptacle.

**Locked Lumen Output (X8/X7/X6/X5/X4/X3/X2/X1) Option Description:**

The Locked Lumen Output option on this page permanently locks the lumen output on the OSQ area luminaire to the setting selected. When ordered with the X option, the luminaire will be shipped from the factory at the lumen output setting selected and will only be able to be adjusted down in the field through a dimming control (by others). When ordered with the N option, the luminaire will include a utility label that indicates the wattage, lumen output, and CCT of the setting selected.

**Q & X Option Power & Lumen Data – 40L Lumen Package**

Q/X Option Setting	CCT/CRI	System Watts 120-277V	Lumen Values					Utility Label Wattage	Utility Label Lumens			
			Asymmetric	Symmetric	2B, 3B, AB (factory-installed BLS)	4B (factory-installed BLS)	Asymmetric Lumens w/ External BLS		Asymmetric / Asymmetric w/External BLS	Symmetric	2B, 3B, AB (factory-installed BLS)	4B (factory-installed BLS)
Q9 (Full Power)	30K (70 CRI)	236	36,500	38,400	25,100	23,000	21,000	240	36000 L	38000 L	26000 L	23000 L
	40K (70 CRI)		38,000	40,000	26,200	24,000	21,800		38000 L	40000 L	26000 L	24000 L
	50K (90 CRI)		28,100	29,600	19,400	17,700	16,100		28000 L	30000 L	19000 L	18000 L
	57K (70 CRI)		38,000	40,000	26,200	24,000	21,800		38000 L	40000 L	26000 L	24000 L
Q8/X8	30K (70 CRI)	221	34,800	36,600	23,900	21,900	20,000	220	34000 L	36000 L	24000 L	22000 L
	40K (70 CRI)		36,300	38,200	25,000	22,900	20,800		36000 L	38000 L	26000 L	23000 L
	50K (90 CRI)		26,800	28,200	18,400	16,900	15,400		26000 L	28000 L	18000 L	17000 L
	57K (70 CRI)		36,300	38,200	25,000	22,900	20,800		36000 L	38000 L	26000 L	23000 L
Q7/X7	30K (70 CRI)	212	33,400	35,100	23,000	21,000	19,200	210	34000 L	36000 L	23000 L	21000 L
	40K (70 CRI)		34,800	36,600	23,900	21,900	20,000		34000 L	36000 L	24000 L	22000 L
	50K (90 CRI)		25,800	27,100	17,700	16,200	14,800		26000 L	28000 L	18000 L	16000 L
	57K (70 CRI)		34,800	36,600	23,900	21,900	20,000		34000 L	36000 L	24000 L	22000 L
Q6/X6	30K (70 CRI)	203	32,200	33,900	22,200	20,300	18,500	200	32000 L	34000 L	22000 L	20000 L
	40K (70 CRI)		33,600	35,400	23,100	21,200	19,300		34000 L	36000 L	23000 L	21000 L
	50K (90 CRI)		24,900	26,200	17,100	15,700	14,300		24000 L	26000 L	17000 L	16000 L
	57K (70 CRI)		33,600	35,400	23,100	21,200	19,300		34000 L	36000 L	23000 L	21000 L
Q5/X5	30K (70 CRI)	184	29,500	31,000	20,300	18,600	16,900	180	30000 L	32000 L	20000 L	19000 L
	40K (70 CRI)		30,700	32,300	21,100	19,300	17,600		30000 L	32000 L	21000 L	19000 L
	50K (90 CRI)		22,700	23,900	15,600	14,325	13,025		23000 L	24000 L	16000 L	14000 L
	57K (70 CRI)		30,700	32,300	21,100	19,300	17,600		30000 L	32000 L	21000 L	19000 L
Q4/X4	30K (70 CRI)	167	26,800	28,200	18,400	16,900	15,400	170	26000 L	28000 L	18000 L	17000 L
	40K (70 CRI)		27,900	29,400	19,200	17,600	16,000		28000 L	30000 L	19000 L	18000 L
	50K (90 CRI)		20,600	21,700	14,200	13,000	11,825		21000 L	22000 L	14000 L	13000 L
	57K (70 CRI)		27,900	29,400	19,200	17,600	16,000		28000 L	30000 L	19000 L	18000 L
Q3/X3	30K (70 CRI)	151	24,700	26,000	17,000	15,600	14,175	150	24000 L	26000 L	17000 L	16000 L
	40K (70 CRI)		25,800	27,100	17,700	16,200	14,800		26000 L	28000 L	18000 L	16000 L
	50K (90 CRI)		19,100	20,100	13,150	12,050	10,975		19000 L	20000 L	13000 L	12000 L
	57K (70 CRI)		25,800	27,100	17,700	16,200	14,800		26000 L	28000 L	18000 L	16000 L
Q2/X2	30K (70 CRI)	135	22,200	23,400	15,300	14,025	12,750	140	22000 L	23000 L	15000 L	14000 L
	40K (70 CRI)		23,200	24,400	16,000	14,625	13,325		23000 L	24000 L	16000 L	15000 L
	50K (90 CRI)		17,200	18,100	11,825	10,850	9,875		17000 L	18000 L	12000 L	11000 L
	57K (70 CRI)		23,200	24,400	16,000	14,625	13,325		23000 L	24000 L	16000 L	15000 L
Q1/X1	30K (70 CRI)	116	19,700	20,700	13,525	12,400	11,300	120	20000 L	21000 L	14000 L	12000 L
	40K (70 CRI)		20,500	21,600	14,125	12,925	11,775		21000 L	22000 L	14000 L	13000 L
	50K (90 CRI)		15,200	16,000	10,450	9,575	8,725		15000 L	16000 L	10000 L	10000 L
	57K (70 CRI)		20,500	21,600	14,125	12,925	11,775		21000 L	22000 L	14000 L	13000 L

**Field Adjustable Output (Q9/Q8/Q7/Q6/Q5/Q4/Q3/Q2/Q1) Option Description:**

The Field Adjustable Output option enables the OSQ area luminaires to be tuned to the exact needs of a particular application through multiple levels of adjustment. When ordered with the Q option, the luminaire will be shipped from the factory at the selected Q setting and will be fully adjustable between the nine settings.

**Locked Lumen Output (X8/X7/X6/X5/X4/X3/X2/X1) Option Description:**

The Locked Lumen Output option on this page permanently locks the lumen output on the OSQ area luminaire to the setting selected. When ordered with the X option, the luminaire will be shipped from the factory at the lumen output setting selected and will only be able to be adjusted down in the field through a dimming control [by others].

**Q & X Option Power & Lumen Data – 50L Lumen Package**

Q/X Option Setting	CCT/CRI	System Watts 120-480V	Lumen Values				
			Asymmetric	Symmetric	2B, 3B, AB (factory-installed BLS)	4B (factory-installed BLS)	Asymmetric Lumens w/External BLS
Q9 (Full Power)	30K (70 CRI)	297	45,600	48,000	31,400	28,700	26,200
	40K (70 CRI)		47,500	50,000	32,700	29,900	27,300
	50K (90 CRI)		35,200	37,000	24,200	22,200	20,200
	57K (70 CRI)		47,500	50,000	32,700	29,900	27,300
Q8/X8	30K (70 CRI)	285	43,500	45,800	29,900	27,400	25,000
	40K (70 CRI)		45,300	47,700	31,200	28,600	26,000
	50K (90 CRI)		33,600	35,300	23,100	21,100	19,300
	57K (70 CRI)		45,300	47,700	31,200	28,600	26,000
Q7/X7	30K (70 CRI)	269	41,700	43,900	28,700	26,300	23,900
	40K (70 CRI)		43,400	45,700	29,900	27,400	24,900
	50K (90 CRI)		32,100	33,800	22,100	20,200	18,400
	57K (70 CRI)		43,400	45,700	29,900	27,400	24,900
Q6/X6	30K (70 CRI)	258	40,300	42,400	27,700	25,400	23,100
	40K (70 CRI)		42,000	44,200	28,900	26,500	24,100
	50K (90 CRI)		31,100	32,700	21,400	19,600	17,900
	57K (70 CRI)		42,000	44,200	28,900	26,500	24,100
Q5/X5	30K (70 CRI)	233	36,900	38,800	25,400	23,200	21,200
	40K (70 CRI)		38,400	40,400	26,400	24,200	22,000
	50K (90 CRI)		28,400	29,900	19,600	17,900	16,300
	57K (70 CRI)		38,400	40,400	26,400	24,200	22,000
Q4/X4	30K (70 CRI)	215	33,500	35,200	23,000	21,100	19,200
	40K (70 CRI)		34,900	36,700	24,000	22,000	20,000
	50K (90 CRI)		25,900	27,200	17,800	16,300	14,875
	57K (70 CRI)		34,900	36,700	24,000	22,000	20,000
Q3/X3	30K (70 CRI)	191	30,900	32,500	21,300	19,500	17,700
	40K (70 CRI)		32,200	33,900	22,200	20,300	18,500
	50K (90 CRI)		23,900	25,100	16,400	15,000	13,725
	57K (70 CRI)		32,200	33,900	22,200	20,300	18,500
Q2/X2	30K (70 CRI)	170	27,900	29,300	19,200	17,500	16,000
	40K (70 CRI)		29,000	30,500	19,900	18,300	16,600
	50K (90 CRI)		21,500	22,600	14,775	13,525	12,350
	57K (70 CRI)		29,000	30,500	19,900	18,300	16,600
Q1/X1	30K (70 CRI)	153	24,600	25,900	16,900	15,500	14,125
	40K (70 CRI)		25,700	27,000	17,700	16,200	14,750
	50K (90 CRI)		18,900	19,900	13,000	11,925	10,850
	57K (70 CRI)		25,700	27,000	17,700	16,200	14,750

**Field Adjustable Output (Q9/Q8/Q7/Q6/Q5/Q4/Q3/Q2/Q1) Option Description:**

The Field Adjustable Output option enables the OSQ area luminaires to be tuned to the exact needs of a particular application through multiple levels of adjustment. When ordered with the Q option, the luminaire will be shipped from the factory at the selected Q setting and will be fully adjustable between the nine settings.

**Locked Lumen Output (X8/X7/X6/X5/X4/X3/X2/X1) Option Description:**

The Locked Lumen Output option on this page permanently locks the lumen output on the OSQ area luminaire to the setting selected. When ordered with the X option, the luminaire will be shipped from the factory at the lumen output setting selected and will only be able to be adjusted down in the field through a dimming control [by others].

**Q & X Option Power & Lumen Data – 65L Lumen Package**

Q/X Option Setting	CCT/CRI	System Watts 120-480V	Lumen Values				
			Asymmetric	Symmetric	2B, 3B, AB (factory-installed BLS)	4B (factory-installed BLS)	Asymmetric Lumens w/External BLS
Q9 (Full Power)	30K (70 CRI)	384	59,300	62,400	40,800	37,400	34,000
	40K (70 CRI)		61,800	65,000	42,500	38,900	35,500
	50K (90 CRI)		45,700	48,100	31,500	28,800	26,200
	57K (70 CRI)		61,800	65,000	42,500	38,900	35,500
Q8/X8	30K (70 CRI)	365	56,600	59,500	38,900	35,600	32,500
	40K (70 CRI)		58,900	62,000	40,500	37,100	33,800
	50K (90 CRI)		43,600	45,900	30,000	27,500	25,000
	57K (70 CRI)		58,900	62,000	40,500	37,100	33,800
Q7/X7	30K (70 CRI)	347	54,200	57,000	37,300	34,100	31,100
	40K (70 CRI)		56,500	59,400	38,800	35,600	32,400
	50K (90 CRI)		41,800	44,000	28,800	26,400	24,000
	57K (70 CRI)		56,500	59,400	38,800	35,600	32,400
Q6/X6	30K (70 CRI)	332	52,500	55,200	36,100	33,100	30,100
	40K (70 CRI)		54,700	57,500	37,600	34,400	31,400
	50K (90 CRI)		40,400	42,500	27,800	25,500	23,200
	57K (70 CRI)		54,700	57,500	37,600	34,400	31,400
Q5/X5	30K (70 CRI)	301	47,900	50,400	33,000	30,200	27,500
	40K (70 CRI)		49,900	52,500	34,300	31,400	28,600
	50K (90 CRI)		37,000	38,900	25,400	23,300	21,200
	57K (70 CRI)		49,900	52,500	34,300	31,400	28,600
Q4/X4	30K (70 CRI)	276	43,500	45,800	29,900	27,400	25,000
	40K (70 CRI)		45,300	47,700	31,200	28,600	26,000
	50K (90 CRI)		33,600	35,300	23,100	21,100	19,300
	57K (70 CRI)		45,300	47,700	31,200	28,600	26,000
Q3/X3	30K (70 CRI)	247	40,200	42,300	27,700	25,300	23,100
	40K (70 CRI)		41,900	44,100	28,800	26,400	24,100
	50K (90 CRI)		31,000	32,600	21,300	19,500	17,800
	57K (70 CRI)		41,900	44,100	28,800	26,400	24,100
Q2/X2	30K (70 CRI)	220	36,200	38,100	24,900	22,800	20,800
	40K (70 CRI)		37,700	39,700	26,000	23,800	21,600
	50K (90 CRI)		27,900	29,300	19,200	17,500	16,000
	57K (70 CRI)		37,700	39,700	26,000	23,800	21,600
Q1*	30K (70 CRI)	195	31,900	33,600	22,000	20,100	18,300
	40K (70 CRI)		33,300	35,000	22,900	21,000	19,100
	50K (90 CRI)		24,600	25,900	16,900	15,500	14,125
	57K (70 CRI)		33,300	35,000	22,900	21,000	19,100

\* X1 option not available with 65L lumen package.



**Field Adjustable Output (Q9/Q8/Q7/Q6/Q5/Q4/Q3/Q2/Q1) Option Description:**

The Field Adjustable Output option enables the OSQ area luminaires to be tuned to the exact needs of a particular application through multiple levels of adjustment. When ordered with the Q option, the luminaire will be shipped from the factory at the selected Q setting and will be fully adjustable between the nine settings.

**Locked Lumen Output (X8/X7/X6/X5/X4/X3/X2/X1) Option Description:**

The Locked Lumen Output option on this page permanently locks the lumen output on the OSQ area luminaire to the setting selected. When ordered with the X option, the luminaire will be shipped from the factory at the lumen output setting selected and will only be able to be adjusted down in the field through a dimming control [by others].

**Q & X Option Power & Lumen Data – 75L Lumen Package**

Q/X Option Setting	CCT/CRI	System Watts 120-480V	Lumen Values				
			Asymmetric	Symmetric	2B, 3B, AB (factory-installed BLS)	4B (factory-installed BLS)	Asymmetric Lumens w/External BLS
Q9 (Full Power)	30K (70 CRI)	447	68,400	72,000	47,100	43,100	39,300
	40K (70 CRI)		71,300	75,000	49,000	44,900	40,900
	50K (90 CRI)		52,800	55,500	36,300	33,200	30,300
	57K (70 CRI)		71,300	75,000	49,000	44,900	40,900
Q8/X8	30K (70 CRI)	426	65,300	68,700	44,900	41,100	37,500
	40K (70 CRI)		68,100	71,600	46,800	42,900	39,100
	50K (90 CRI)		50,300	52,900	34,600	31,700	28,900
	57K (70 CRI)		68,100	71,600	46,800	42,900	39,100
Q7/X7	30K (70 CRI)	404	62,500	65,800	43,000	39,400	35,900
	40K (70 CRI)		65,200	68,600	44,900	41,100	37,400
	50K (90 CRI)		48,200	50,700	33,200	30,400	27,700
	57K (70 CRI)		65,200	68,600	44,900	41,100	37,400
Q6/X6	30K (70 CRI)	387	60,500	63,600	41,600	38,100	34,700
	40K (70 CRI)		63,000	66,300	43,400	39,700	36,200
	50K (90 CRI)		46,700	49,100	32,100	29,400	26,800
	57K (70 CRI)		63,000	66,300	43,400	39,700	36,200
Q5/X5	30K (70 CRI)	350	55,300	58,200	38,100	34,900	31,700
	40K (70 CRI)		57,600	60,600	39,600	36,300	33,100
	50K (90 CRI)		42,600	44,800	29,300	26,800	24,500
	57K (70 CRI)		57,600	60,600	39,600	36,300	33,100
Q4/X4	30K (70 CRI)	321	50,200	52,800	34,500	31,600	28,800
	40K (70 CRI)		52,400	55,100	36,000	33,000	30,100
	50K (90 CRI)		38,700	40,700	26,600	24,400	22,200
	57K (70 CRI)		52,400	55,100	36,000	33,000	30,100
Q3/X3	30K (70 CRI)	287	46,400	48,800	31,900	29,200	26,600
	40K (70 CRI)		48,400	50,900	33,300	30,500	27,800
	50K (90 CRI)		35,700	37,600	24,600	22,500	20,500
	57K (70 CRI)		48,400	50,900	33,300	30,500	27,800
Q2/X2	30K (70 CRI)	256	41,700	43,900	28,700	26,300	23,900
	40K (70 CRI)		43,500	45,800	29,900	27,400	25,000
	50K (90 CRI)		32,200	33,900	22,200	20,300	18,500
	57K (70 CRI)		43,500	45,800	29,900	27,400	25,000
Q1/X1	30K (70 CRI)	227	36,900	38,800	25,400	23,200	21,200
	40K (70 CRI)		38,400	40,400	26,400	24,200	22,000
	50K (90 CRI)		28,400	29,900	19,600	17,900	16,300
	57K (70 CRI)		38,400	40,400	26,400	24,200	22,000

**Field Adjustable Output (Q9/Q8/Q7/Q6/Q5/Q4/Q3/Q2/Q1) Option Description:**

The Field Adjustable Output option enables the OSQ area luminaires to be tuned to the exact needs of a particular application through multiple levels of adjustment. When ordered with the Q option, the luminaire will be shipped from the factory at the selected Q setting and will be fully adjustable between the nine settings.

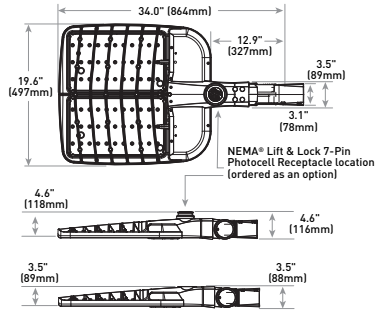
**Locked Lumen Output (X8/X7/X6/X5/X4/X3/X2/X1) Option Description:**

The Locked Lumen Output option on this page permanently locks the lumen output on the OSQ area luminaire to the setting selected. When ordered with the X option, the luminaire will be shipped from the factory at the lumen output setting selected and will only be able to be adjusted down in the field through a dimming control [by others].

**Q & X Option Power & Lumen Data – 85L Lumen Package**

Q/X Option Setting	CCT/CRI	System Watts 120-480V	Lumen Values				
			Asymmetric	Symmetric	2B, 3B, AB (factory-installed BLS)	4B (factory-installed BLS)	Asymmetric Lumens w/External BLS
Q9 (Full Power)	30K (70 CRI)	520	77,600	81,600	N/A	N/A	44,500
	40K (70 CRI)		80,800	85,000	N/A	N/A	46,400
	50K (90 CRI)		59,800	62,900	N/A	N/A	34,300
	57K (70 CRI)		80,800	85,000	N/A	N/A	46,400
Q8/X8	30K (70 CRI)	494	74,000	77,800	N/A	N/A	42,500
	40K (70 CRI)		77,100	81,100	N/A	N/A	44,300
	50K (90 CRI)		57,000	60,000	N/A	N/A	32,700
	57K (70 CRI)		77,100	81,100	N/A	N/A	44,300
Q7/X7	30K (70 CRI)	469	70,900	74,600	N/A	N/A	40,700
	40K (70 CRI)		73,900	77,700	N/A	N/A	42,400
	50K (90 CRI)		54,700	57,500	N/A	N/A	31,400
	57K (70 CRI)		73,900	77,700	N/A	N/A	42,400
Q6/X6	30K (70 CRI)	450	68,500	72,100	N/A	N/A	39,300
	40K (70 CRI)		71,400	75,100	N/A	N/A	41,000
	50K (90 CRI)		52,900	55,600	N/A	N/A	30,400
	57K (70 CRI)		71,400	75,100	N/A	N/A	41,000
Q5/X5	30K (70 CRI)	407	62,600	65,900	N/A	N/A	35,900
	40K (70 CRI)		65,300	68,700	N/A	N/A	37,500
	50K (90 CRI)		48,300	50,800	N/A	N/A	27,700
	57K (70 CRI)		65,300	68,700	N/A	N/A	37,500
Q4/X4	30K (70 CRI)	373	56,900	59,900	N/A	N/A	32,700
	40K (70 CRI)		59,300	62,400	N/A	N/A	34,000
	50K (90 CRI)		43,900	46,200	N/A	N/A	25,200
	57K (70 CRI)		59,300	62,400	N/A	N/A	34,000
Q3/X3	30K (70 CRI)	334	52,600	55,300	N/A	N/A	30,200
	40K (70 CRI)		54,800	57,600	N/A	N/A	31,500
	50K (90 CRI)		40,500	42,600	N/A	N/A	23,200
	57K (70 CRI)		54,800	57,600	N/A	N/A	31,500
Q2/X2	30K (70 CRI)	298	47,300	49,800	N/A	N/A	27,200
	40K (70 CRI)		49,300	51,900	N/A	N/A	28,300
	50K (90 CRI)		36,500	38,400	N/A	N/A	21,000
	57K (70 CRI)		49,300	51,900	N/A	N/A	28,300
Q1/X1	30K (70 CRI)	263	41,800	44,000	N/A	N/A	24,000
	40K (70 CRI)		43,500	45,800	N/A	N/A	25,000
	50K (90 CRI)		32,200	33,900	N/A	N/A	18,500
	57K (70 CRI)		43,500	45,800	N/A	N/A	25,000

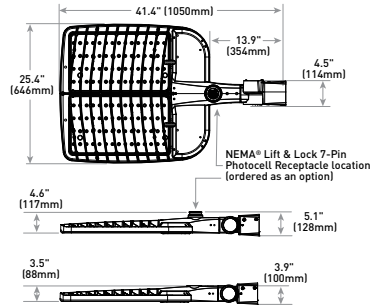
**OSQL - AA Mount**



Luminaire	Weight
OSQL	28.4 lbs. [12.9kg]

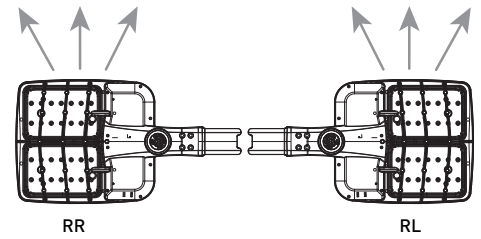
Note: For OSQM w/AA mount, refer to drawing on page 1.

**OSQX - AA Mount**



Luminaire	Weight
OSQX	48.6 lbs. [22.0kg]

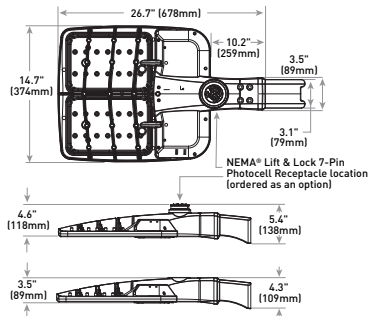
**RR/RL Configuration**



**OSQM - DA Mount**



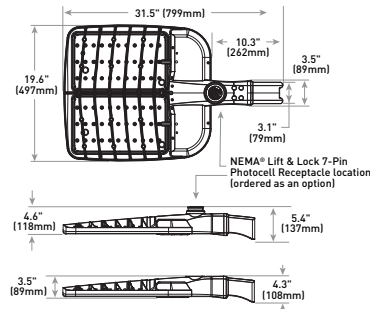
**OSQM - DA Mount**



Luminaire	Weight
OSQM	19.7 lbs. [8.9kg]

Note: Refer to page 14 for fixture mounting drill pattern.

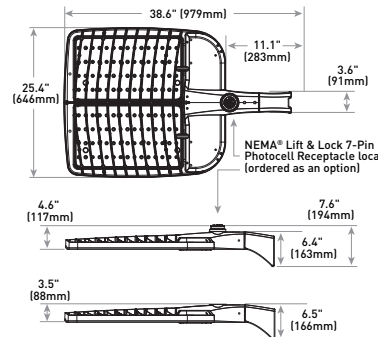
**OSQL - DA Mount**



Luminaire	Weight
OSQL	28.8 lbs. [13.1kg]

Note: Refer to page 14 for fixture mounting drill pattern.

**OSQX-DA Mount**



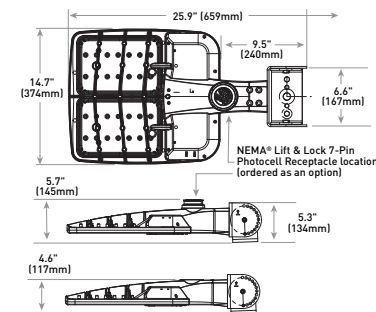
Luminaire	Weight
OSQX	45.8 lbs. [20.8kg]

Note: Refer to page 14 for fixture mounting drill pattern.

**OSQM - Trunnion Mount**

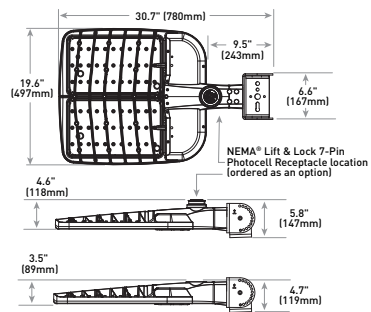


**OSQM - Trunnion Mount**



Luminaire	Weight
OSQM	23.2 lbs. [10.5kg]

**OSQL - Trunnion Mount**



Luminaire	Weight
OSQL	32.3 lbs. [14.7kg]

© 2023 Cree Lighting USA LLC. All rights reserved. For informational purposes only. Content is subject to change. Patent www.creelighting.com/patents. Colorfast DeltaGuard® is a registered trademark, and NanoComfort™ and OSQ™ are trademarks of Cree Lighting USA LLC. Cree® and the Cree logo are registered trademarks of SMART Global Holdings, Inc. TrueWhite®, Cree TrueWhite®, and the Cree TrueWhite Technology logo are registered trademarks of CRELED, Inc. The UL logo is a registered trademark of UL LLC. NEMA® is a registered trademark of the National Electrical Manufacturers Association. Synapse® is a registered trademark of Synapse Wireless, Inc. Verizon® is a registered trademark of Verizon Trademark Services LLC. The Bluetooth® word mark and logos are registered trademarks owned by Bluetooth SIG, Inc. and any use of such marks is under license. Other trademarks, service marks, and trade names are those of their respective owners. IOS is a registered trademark or trademark of Cisco Systems, Inc. and/or its affiliates in the United States and certain other countries. Apple and App Store are trademarks of Apple Inc. Android is a trademark of Google, Inc. DarkSky and the DarkSky Approved logo are trademarks of DarkSky International. The DLC QPL, DLC QPL Premium and the DLC LUNA Logos are the registered and unregistered trademarks of Efficiency Forward, Inc.

US: [creelighting.com](http://creelighting.com) (800) 236-6800  
 Canada: [creelighting-canada.com](http://creelighting-canada.com) (800) 473-1234