

THE EDGE® Series

LED Parking Structure Luminaire

Rev. Date: V9 02/23/2023

Product Description

Slim, low profile design. Luminaire is constructed from rugged extruded aluminum, die cast aluminum and stamped metal components. LED driver is mounted in extruded aluminum fixture and sealed for weathertight operation. High performance aluminum heat sinks specifically designed for LED parking structure applications. Corrosion resistant wire guard provides anti-fouling protection from leaf/debris and animal nesting to assure cool LED operation. Direct mounting bracket designed to mount directly over existing single gang and octagonal junction boxes for direct mount. Pendant mount includes 5' (1.5m) cord out of the luminaire and is intended to be mounted by 3/4" (29mm) IP pendant (by others).

Applications: Parking structures and low-medium bay general lighting

Performance Summary

Patented NanoOptic® Product Technology

Assembled in the USA by Cree Lighting from US and imported parts

CRI: Minimum 70 CRI (4000K & 5700K); 80 CRI (3000K); 90 CRI (5000K)

CCT: Turtle Friendly Amber, 3000K (+/- 300K), 4000K (+/- 300K), 5000K (+/- 500K), 5700K (+/- 500K) standard

Limited Warranty†: 10 years for luminaire/10 years for Colorfast DeltaGuard® finish/1 year for luminaire accessories

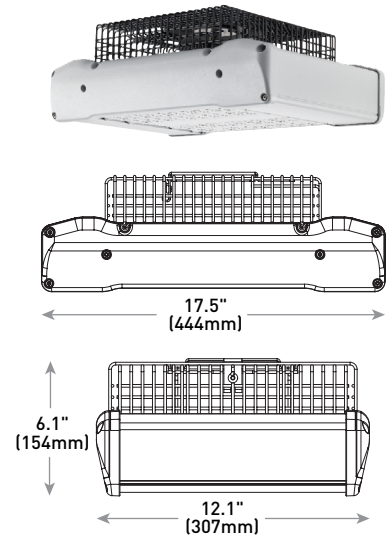
† See <http://creelighting.com/warranty> for warranty terms

Accessories

Field-Installed	
Pendant Mount Accessories	Pendant Fitting**
Bird Spikes XA-BRDSPK	XA-PSFTG
Bird Shroud XA-BRDGRD	Pendant Kit**
Leveler XA-PNDTLVL** - For 0-13° sloped ceilings	XA-PS12KIT - 12" (305mm) XA-PS18KIT - 18" (457mm) XA-PS22KIT - 22" (559mm)
	NOTE: Pendant height to bottom of luminaire; mounting accessories or surface boxes will add to overall height

**Must specify color

DM Mount



LED Count (x10)	Weight
04	19.0 lbs. (8.6kg)
06	20.5 lbs. (9.2kg)
08	22.0 lbs. (9.9kg)
10	27.0 lbs. (12.2kg)

Ordering Information

Example: PKG-EDG-5M-DM-04-E-UL-SV-350

PKG-EDG				E				
Product	Optic	Mounting	LED Count (x10)	Series	Voltage	Color Options	Drive Current	Options
PKG-EDG	5M Type V Medium 70 70° Flood	DM Direct PD Pendant	04* 06* 08* 10	E	UL Universal 120-277V	SV Silver WH White	350 350mA 525 525mA 700 700mA - Available with 40-60 LEDs	30K 3000K Color Temperature - Minimum 80 CRI - Color temperature per luminaire 40K 4000K Color Temperature - Minimum 70 CRI - Color temperature per luminaire 50K 5000K Color Temperature - Minimum 90 CRI - Color temperature per luminaire TRL Amber Turtle Friendly LEDs - Available only with 350mA - 600nm dominant wavelength - Additional shielding (by others) may be required for Florida Fish and Wildlife Conservation Commission compliance

* Consists of multiple 20 LED lightbars, 40, 60, and 80 LED units use blanks as needed in place of populated light bars



US: creelighting.com (800) 236-6800

Canada: creelighting-canada.com (800) 473-1234

CREE ⇄ **LIGHTING**®

Product Specifications

CONSTRUCTION & MATERIALS

- Slim, low profile design
- Luminaire is constructed from rugged extruded aluminum, die cast aluminum, and stamped metal components
- LED driver is mounted in extruded aluminum fixture end and sealed for weathertight operation
- High performance heat sinks specifically designed for LED parking structure applications
- Corrosion resistant wire guard provides anti-fouling protection from leaf/debris and animal nesting to assure cool LED operation
- Direct mounting bracket designed to mount directly over existing single gang and octagonal junction boxes for direct mount
- Pendant mount includes 5' (1.5m) cord out of luminaire and is intended to be mounted by 3/4" (29mm) IP pendant (by others)
- Exclusive Colorfast DeltaGuard® finish features an E-Coat epoxy primer with an ultradurable powder topcoat, providing excellent resistance to corrosion, ultraviolet degradation and abrasion. Silver and white are available
- **Weight:** See Weight Chart on pages 1 and 4

ELECTRICAL SYSTEM

- **Input Voltage:** 120-277V, 50/60Hz, Class 1 drivers
- **Power Factor:** > 0.9 at full load
- **Total Harmonic Distortion:** < 20% at full load
- Integral 10kV/5kA surge suppression protection standard
- When code dictates fusing, a slow blow fuse or type C/D breaker should be used to address inrush current

REGULATORY & VOLUNTARY QUALIFICATIONS

- cULus Listed
- Suitable for wet locations
- ANSI C136.2 10kV/5kA surge protection, tested in accordance with IEEE/ANSI C62.41.2
- Luminaire and finish endurance tested to withstand 5,000 hours of elevated ambient salt fog conditions as defined in ASTM Standard B 117
- RoHS compliant. Consult factory for additional details
- Assembled in the USA by Cree Lighting from US and imported parts
- Meets Buy American requirements within ARRA
- Meets FCC Part 15, Subpart B, Class A limits for conducted and radiated emissions
- **CA RESIDENTS WARNING:** Cancer and Reproductive Harm – www.p65warnings.ca.gov

Electrical Data*								
LED Count (x10)	CCT	System Watts 120-480V	Total Current (A)					
			120V	208V	240V	277V	347V	480V
350mA								
04	30K/40K/50K/57K	46	0.36	0.23	0.21	0.20	0.15	0.12
	TRL	35	0.29	0.17	0.15	0.13	0.10	0.07
06	30K/40K/50K/57K	66	0.52	0.31	0.28	0.26	0.20	0.15
	TRL	50	0.41	0.24	0.21	0.18	0.14	0.10
08	30K/40K/50K/57K	90	0.75	0.44	0.38	0.34	0.26	0.20
	TRL	68	0.57	0.33	0.28	0.25	0.20	0.14
10	30K/40K/50K/57K	110	0.92	0.53	0.47	0.41	0.32	0.24
	TRL	83	0.69	0.40	0.35	0.30	0.24	0.17
525mA								
04	30K/40K/50K/57K	70	0.58	0.34	0.31	0.28	0.21	0.16
06	30K/40K/50K/57K	101	0.84	0.49	0.43	0.38	0.30	0.22
08	30K/40K/50K/57K	133	1.13	0.66	0.58	0.51	0.39	0.28
10	30K/40K/50K/57K	171	1.43	0.83	0.74	0.66	0.50	0.38
700mA								
04	30K/40K/50K/57K	93	0.78	0.46	0.40	0.36	0.27	0.20
06	30K/40K/50K/57K	134	1.14	0.65	0.57	0.50	0.39	0.29

* Electrical data at 25°C (77°F). Actual wattage may differ by +/- 10% when operating between 120-277V or 347-480V +/- 10%

THE EDGE® Series Ambient Adjusted Lumen Maintenance ¹						
Ambient	CCT	Initial LMF	25K hr Reported ² LMF	50K hr Reported ² LMF	75K hr Reported ² / Estimated ³ LMF	100K hr Estimated ³ LMF
5°C (41°F)	30K/40K/50K/57K	1.04	1.03	1.03	1.03 ³	1.03
	TRL	1.06	1.06	1.06	1.06 ³	1.06
10°C (50°F)	30K/40K/50K/57K	1.03	1.02	1.02	1.02 ³	1.02
	TRL	1.04	1.04	1.04	1.04 ³	1.04
15°C (59°F)	30K/40K/50K/57K	1.02	1.01	1.01	1.01 ³	1.01
	TRL	1.03	1.03	1.03	1.03 ³	1.03
20°C (68°F)	30K/40K/50K/57K	1.01	0.99	0.99	0.99 ³	0.99
	TRL	1.01	1.01	1.01	1.01 ³	1.01
25°C (77°F)	30K/40K/50K/57K	1.00	0.98	0.98	0.98 ³	0.98
	TRL	1.00	1.00	1.00	1.00 ³	1.00

¹ Lumen maintenance values at 25°C (77°F) are calculated per IES TM-21 based on IES LM-80 report data for the LED package and in-situ luminaire testing. Luminaire ambient temperature factors (LATF) have been applied to all lumen maintenance factors. Please refer to the [Temperature Zone Reference Document](#) for outdoor average nighttime ambient conditions.

² In accordance with IES TM-21, Reported values represent interpolated values based on time durations that are up to 6x the tested duration in the IES LM-80 report for the LED.

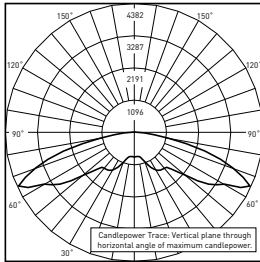
³ Estimated values are calculated and represent time durations that exceed the 6x test duration of the LED.

THE EDGE® LED Parking Structure Luminaire

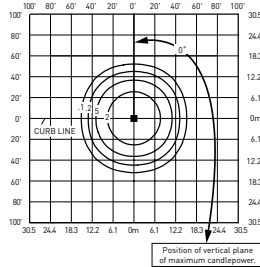
Photometry

All published luminaire photometric testing performed to IES LM-79 standards. To obtain an IES file specific to your project consult: <https://www.creelighting.com/products/outdoor/parking-structure/the-edge-series-3/>

5M



RESTL Test Report #: PL09285-001
 ARE-EDG-5M-**-06-E-UL-700-40K
 Initial Delivered Lumens: 13,136



PKG-EDG-5M-**-06-E-UL-700-40K
 Mounting Height: 10' (3.0m) A.F.G.
 Initial Delivered Lumens: 13,070
 Initial FC at grade

Type V Medium Distribution										
LED Count (x10)	3000K		4000K		5000K		5700K		TRL	
	Initial Delivered Lumens*	BUG Ratings** Per TM-15-11	Initial Delivered Lumens*	BUG Ratings** Per TM-15-11	Initial Delivered Lumens*	BUG Ratings** Per TM-15-11	Initial Delivered Lumens*	BUG Ratings** Per TM-15-11	Initial Delivered Lumens*	BUG Ratings** Per TM-15-11
350mA										
04	4,358	B3 U0 G1	5,262	B3 U0 G1	4,001	B2 U0 G1	5,367	B3 U0 G1	1,717	B1 U0 G1
06	6,463	B3 U0 G1	7,804	B3 U0 G2	5,932	B3 U0 G1	7,958	B3 U0 G2	2,547	B2 U0 G1
08	8,617	B3 U0 G2	10,405	B4 U0 G2	7,910	B3 U0 G2	10,611	B4 U0 G2	3,395	B2 U0 G1
10	10,746	B4 U0 G2	12,975	B4 U0 G2	9,864	B3 U0 G2	13,232	B4 U0 G2	4,234	B3 U0 G1
525mA										
04	6,192	B3 U0 G1	7,468	B3 U0 G2	5,684	B3 U0 G1	7,625	B3 U0 G2	N/A	
06	9,182	B3 U0 G2	11,074	B4 U0 G2	8,428	B3 U0 G2	11,306	B4 U0 G2	N/A	
08	12,243	B4 U0 G2	14,766	B4 U0 G2	11,238	B4 U0 G2	15,075	B4 U0 G3	N/A	
10	15,267	B4 U0 G3	18,413	B4 U0 G3	14,014	B4 U0 G2	18,799	B4 U0 G3	N/A	
700mA										
04	7,304	B3 U0 G2	8,814	B3 U0 G2	6,704	B3 U0 G2	8,993	B3 U0 G2	N/A	
06	10,831	B4 U0 G2	13,070	B4 U0 G2	9,941	B3 U0 G2	13,336	B4 U0 G2	N/A	

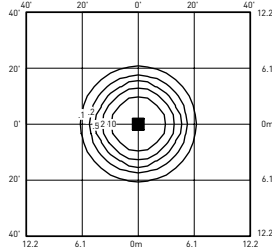
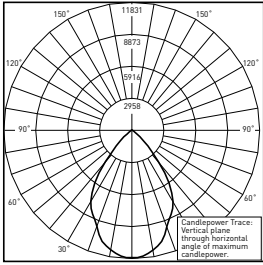
* Initial delivered lumens at 25°C (77°F). Actual production yield may vary between -10 and +10% of initial delivered lumens
 ** For more information on the IES BUG (Backlight-Uplight-Glare) Rating visit: <https://www.ies.org/wp-content/uploads/2017/03/TM-15-11BUGRatingsAddendum.pdf>

THE EDGE® LED Parking Structure Luminaire

Photometry

All published luminaire photometric testing performed to IES LM-79 standards. To obtain an IES file specific to your project consult: <https://www.creelighting.com/products/outdoor/parking-structure/the-edge-series-3/>

70°



RESTL Test Report #: PL09832-001B
 FLD-EDG-70-**-06-E-UL-700-40K
 Initial Delivered Lumens: 13,888

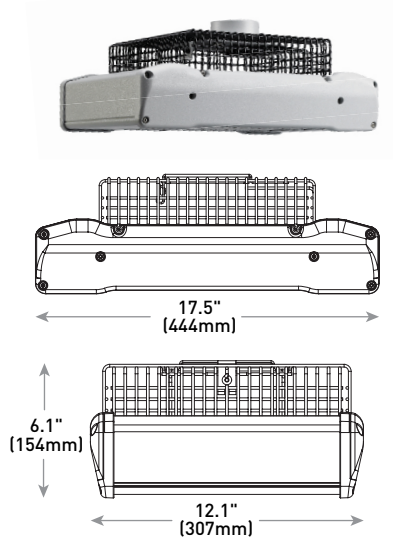
PKG-EDG-70-**-06-E-UL-700-40K
 Mounting Height: 10' (3.0m) A.F.G.
 Initial Delivered Lumens: 13,232
 Initial FC at grade

70° Flood Distribution					
LED Count (x10)	3000K	4000K	5000K	5700K	TRL
	Initial Delivered Lumens*	Initial Delivered Lumens*	Initial Delivered Lumens*	Initial Delivered Lumens*	Initial Delivered Lumens*
350mA					
04	4,412	5,327	4,050	5,433	1,739
06	6,543	7,900	6,006	8,056	2,578
08	8,724	10,533	8,008	10,742	3,437
10	10,879	13,135	9,986	13,395	4,286
525mA					
04	6,269	7,560	5,754	7,719	N/A
06	9,295	11,211	8,532	11,446	N/A
08	12,394	14,948	11,377	15,261	N/A
10	15,455	18,640	14,187	19,031	N/A
700mA					
04	7,394	8,923	6,787	9,104	N/A
06	10,964	13,232	10,064	13,501	N/A

* Initial delivered lumens at 25°C (77°F). Actual production yield may vary between -10 and +10% of initial delivered lumens

THE EDGE® LED Parking Structure Luminaire

PD Mount



LED Count (x10)	Weight
04	19.0 lbs. (8.6kg)
06	20.5 lbs. (9.2kg)
08	22.0 lbs. (9.9kg)
10	27.0 lbs. (12.2kg)