

# LMEZ 3 - DROP LENS

LED - Suspended Linear Direct/Indirect Luminaire with Drop-Rectangular Lens

Project:	Catalogue #:	Type:
Notes:		

## Product Description

Premium-grade, LED modular linear luminaire featuring a precision-formed drop lens that offers soft, diffused illumination. For use with indoor applications where direct or direct/indirect linear lighting is desired. This luminaire is suitable for individual suspension and offers visual comfort for new-construction indoor architectural and retail applications.

## Applications

Classrooms, Libraries, Office Areas, Retail Stores and Supermarkets



## Features

- 3" width
- Pressure-fitted lay-in frosted diffuser
- Standard low voltage dimming (0-10v) 1%
- Suitable for damp locations
- Stand-alone configurations

## Featured Options

- Available in 24", 48" 72" and 96" lengths
- High Lumen Output (1500 Lumens/FT)
- Tunable white (2700 - 6500K)
- Emergency lighting battery pack
- 80+ and 90+ CRI

## Optical System

Precision formed rectangular frosted diffuser offers high levels of efficiency and visual comfort.

## Mounting

Various adjustable aircraft cable kits available. (Sold separately, see page 2).

## Construction

Die-formed and spot-welded, code gauge steel housing assembly.

## Finish

White, polyester powder painted housing.

## Electrical

Long life LED's coupled with high efficiency drivers provide quality illumination. Rated to deliver L80 performance > 50,000 hours.

## Warranty

5 year limited warranty. For complete warranty, click here:

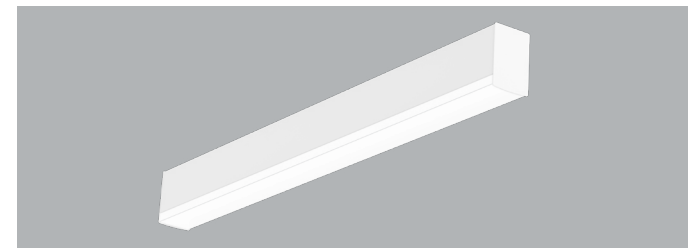


## Approvals

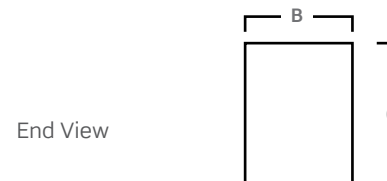
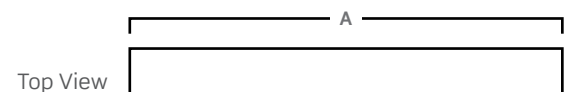
- ETL Listed.
- Suitable for Damp Location



Pending



## Dimensions



Size	A	B	C
24	22 1/4"	3"	4 1/2"
48	44 3/8"		
72	66 1/2"		
96	88 5/8"		

View page 2 for mounting option dimensions. Consult installation guide for exact dimensions.

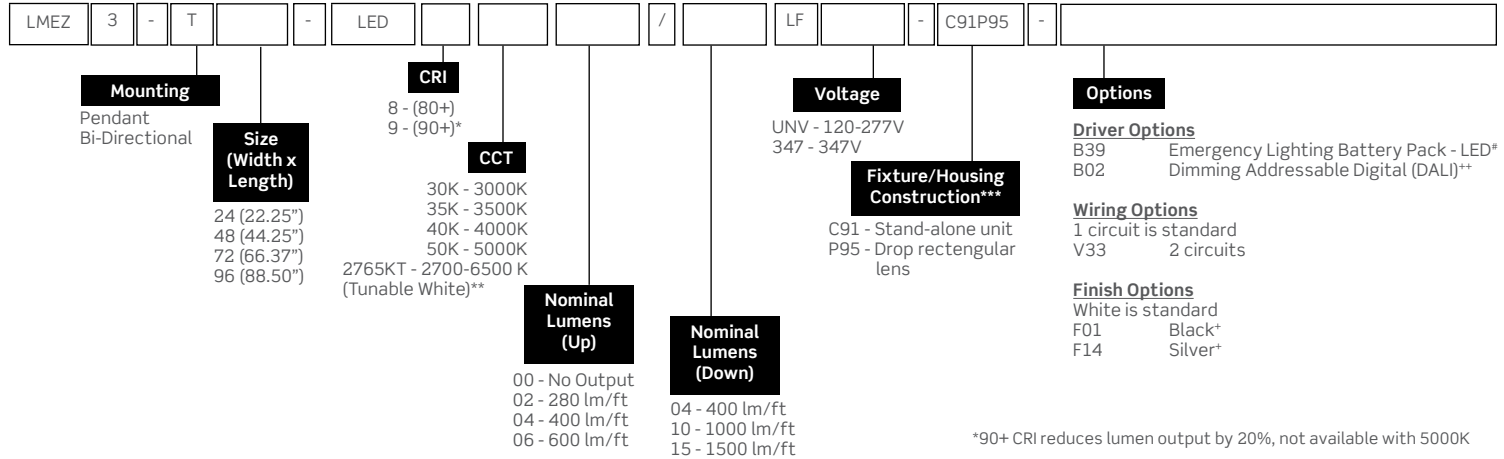
# LMEZ 3 - DROP LENS

LED - Suspended Linear Direct/Indirect Luminaire with Drop-Rectangular Lens

Project:	Catalogue #:	Type:
Notes:		

## Order Key

EXAMPLE: LMEZ3-T48-LED835K0410LFUNV-C91L42



\*90+ CRI reduces lumen output by 20%, not available with 5000K

\*\* When Selecting 2765KT, if a tunable white-compatible control is not selected the luminaire will come standard with two sets of 0-10V wires for dimming and color tuning (see tunable white diagram for details). For compatible control options please consult factory.

\*\*\*For all stand-alone and configurable units, power feeds, canopies & air craft cables must be ordered separately. See "How to order" section for details.

# Not available with 2' units. Consult factory for 48" unit compatibility

\*\*Consult factory for availability and lead times.

†Black (F01) reduces lumen output by 40%. Silver Gray (F14) reduces lumen output by 20%. Consult factory for higher lumen options. Black Acrylic Bottom Lens (P114) reduces lumen output by 75%.

Other options may be available, consult factory. Specifications and data subject to change without notice.

## Suspension Kits and Power Feeds

Part#	Description
KIT00292 (White) KIT00237 (Black)	48" Aircraft Cable & Canopy
KIT00293 (White) KIT00238 (Black)	5-Wire 18ga UNV Power Supply with 48" Aircraft Cable & Canopy
KIT00230 (White) KIT00253 (Black) <sup>†</sup>	6-Wire UNV Power Feed with 48" Air Craft Cable & Canopy (Emergency)
KIT00294 (White)	3-Wire 347V Power Feed with 48" Air Craft Cable & Canopy (Non-dimmable)
KIT00295 (White)	5-Wire 347V Power Feed with 48" Air Craft Cable & Canopy

For other suspension kit lengths, please consult factory.  
Emergency suspension kit required for each fixture containing emergency battery pack.

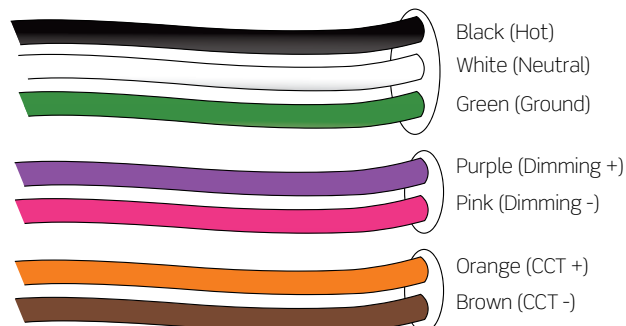
## Performance Scaling Factor

	50K	40K	35K	30K
80CRI	1.000	1.000	0.960	0.946
90CRI	0.875	0.875	0.836	0.809

## Tunable White

When Selecting 2765KT, if a tunable white-compatible control is not selected the luminaire will come standard with two sets of 0-10V wires for dimming and color tuning. For compatible control options please consult factory.

Dim and CCT control wire colors are subject to change without notice. All control wires are marked per the parentheses.



# LMEZ 3 - DROP LENS

LED - Suspended Linear Direct/Indirect Luminaire with Drop-Rectangular Lens

Project:	Catalogue #:	Type:
Notes:		

### Performance Data

	Nominal lm per Foot Up	Total Delivered lm Up	Nominal lm per Foot Down	Total Delivered lm down	Total lm	Total W	lm/W
24"	0	-	400	866	866	6.2	139
	0	-	1000	2012	2012	15.0	134
	0	-	1500	3020	3020	23.7	128
	280	702	400	866	1568	12.3	127
	280	702	1000	2012	2714	21.1	129
	280	702	1500	3020	3722	29.8	125
	400	836	400	866	1702	13.6	125
	400	836	1000	2012	2848	22.4	127
	400	836	1500	3020	3856	31.1	124
	600	1222	400	1617	2839	23.2	122
	600	1222	1000	2012	3234	26.4	123
	600	1222	1500	3020	4242	35.1	121
48"	0	-	400	1664	1664	11.6	143
	0	-	1000	4024	4024	29.2	138
	0	-	1500	6040	6040	46.3	130
	280	1133	400	1664	2797	18.4	152
	280	1133	1000	4024	5157	36.0	143
	280	1133	1500	6040	7173	53.1	135
	400	1602	400	1664	3266	21.5	152
	400	1602	1000	4024	5626	39.1	144
	400	1602	1500	6040	7642	56.2	136
	600	2467	400	1664	4131	27.0	153
	600	2467	1000	4024	6491	44.6	145
	600	2467	1500	6040	8507	61.7	138
72"	0	0	400	2496	2496	17.5	143
	0	0	1000	6035	6035	43.9	138
	0	0	1500	9061	9061	69.4	130
	280	1835	400	2496	4331	30.4	143
	280	1835	1000	6035	7870	56.8	139
	280	1835	1500	9061	10896	82.3	132
	400	2438	400	2496	4934	34.8	142
	400	2438	1000	6035	8473	61.2	139
	400	2438	1500	9061	11499	86.7	133
	600	3689	400	2496	6185	44.3	140
	600	3689	1000	6035	9724	70.7	138
	600	3689	1500	9061	12750	96.2	132
96"	0	-	400	3259	3259	22.8	143
	0	-	1000	8047	8047	58.5	138
	0	-	1500	12081	12081	92.6	130
	280	2266	400	3259	5525	36.4	152
	280	2266	1000	8047	10313	72.1	143
	280	2266	1500	12081	14347	106.2	135
	400	3204	400	3259	6463	42.6	152
	400	3204	1000	8047	11251	78.3	144
	400	3204	1500	12081	15285	112.4	136
	600	4934	400	3259	8193	53.6	153
	600	4934	1000	8047	12981	89.3	145
	600	4934	1500	12081	17015	123.4	138

NOTE: Lumens and wattage based on 80CRI 4000K CCT at 25 Degrees Celsius