

LMEZ 3 - INVERTED V

LED - Suspended Linear Direct/Indirect Luminaire with Inverted V Notched Housing

Project:	Catalogue #:	Type:
Notes:		

Product Description

The LMEZ 3 is a premium-grade, LED modular linear luminaire featuring unique inverted V notched end-caps with a formed lens to compliment the inverted angle. This sleek and cohesive design is intended for use in indoor applications where direct or direct/indirect linear lighting is desired. This luminaire is suitable for suspended individually and offers visual comfort for new-construction indoor architectural and retail applications.

Applications

Classrooms, Libraries, Office Areas, Retail Stores and Supermarkets

Features

- 3" width
- Inverted V notched end-caps
- Precision-formed frosted diffuser
- Standard low voltage dimming (0-10v) 1%
- Stand-alone configurations
- Suitable for damp locations

Featured Options

- Available in 24", 48" 72" and 96" lengths
- Lumen Output up to 1000 lumens per foot
- Tunable white (2700 - 6500K)
- Emergency lighting battery pack
- 80+ and 90+ CRI

Optical System

Standard lay-in frosted diffuser offer high levels of efficiency and visual comfort.

Mounting

Various adjustable aircraft cable kits available. (Sold separately, see page 2).

Construction

Die-formed and spot-welded, code gauge steel housing assembly.

Finish

White, polyester powder painted housing.

Electrical

Long life LED's coupled with high efficiency drivers provide quality illumination. Rated to deliver L80 performance > 50,000 hours.

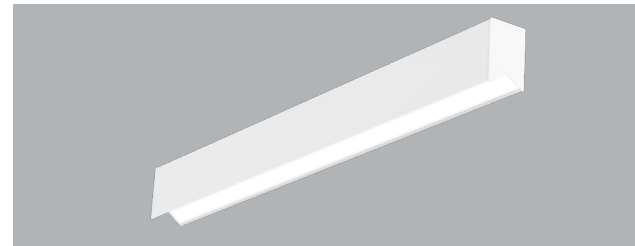
Warranty

5 year limited warranty. For complete warranty, click here:

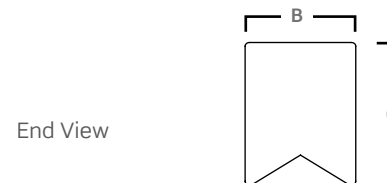
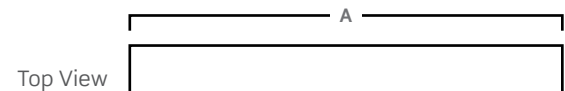


Approvals

- ETL Listed.
- Suitable for Damp Location



Dimensions



Size	A	B	C
24	22 1/4"	3"	4 1/2"
48	44 3/8"		
72	66 1/2"		
96	88 5/8"		

View page 2 for mounting option dimensions. Consult installation guide for exact dimensions.

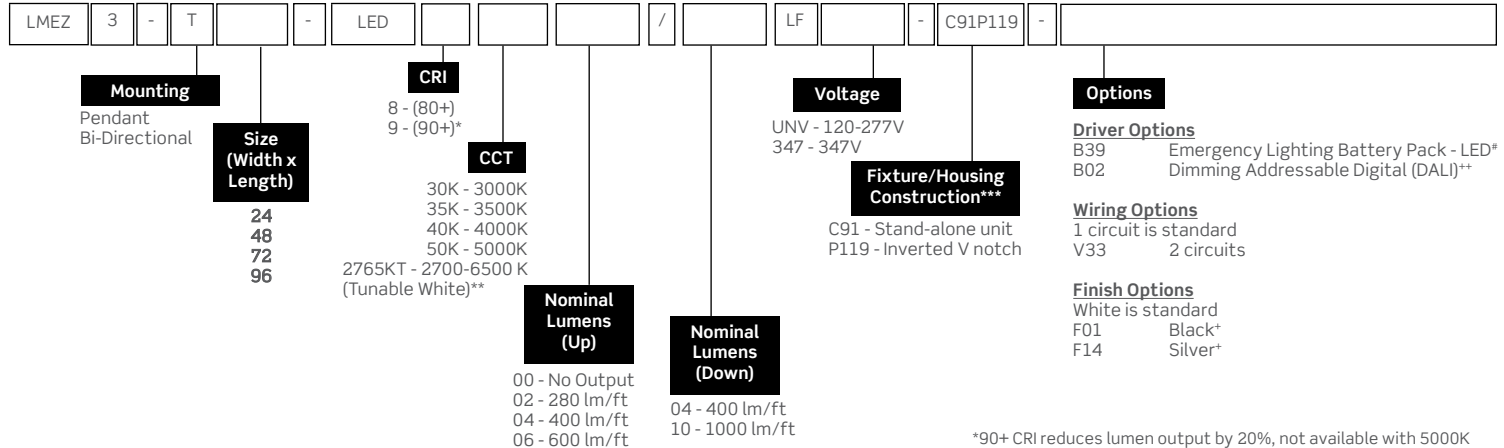
LMEZ 3 - INVERTED V

LED - Suspended Linear Direct/Indirect Luminaire with Inverted V Notched Housing

Project:	Catalogue #:	Type:
Notes:		

Order Key

EXAMPLE: LMEZ3-T48-LED835K0410LFUNV-C91L42



*90+ CRI reduces lumen output by 20%, not available with 5000K

** When Selecting 2765KT, if a tunable white-compatible control is not selected the luminaire will come standard with two sets of 0-10V wires for dimming and color tuning (see tunable white diagram for details). For compatible control options please consult factory.

***For all stand-alone and configurable units, power feeds, canopies & air craft cables must be ordered separately. See "How to order" section for details.

Not available with 2' units. Consult factory for 48" unit compatibility

**Consult factory for availability and lead times.

†Black (F01) reduces lumen output by 40%. Silver Gray (F14) reduces lumen output by 20%. Consult factory for higher lumen options. Black Acrylic Bottom Lens (P114) reduces lumen output by 75%.

Other options may be available, consult factory. Specifications and data subject to change without notice.

Suspension Kits and Power Feeds

Part#	Description
KIT00292 (White) KIT00237 (Black)	48" Aircraft Cable & Canopy
KIT00293 (White) KIT00238 (Black)	5-Wire 18ga UNV Power Supply with 48" Aircraft Cable & Canopy
KIT00230 (White) KIT00253 (Black)†	6-Wire UNV Power Feed with 48" Air Craft Cable & Canopy (Emergency)
KIT00294 (White)	3-Wire 347V Power Feed with 48" Air Craft Cable & Canopy (Non-dimmable)
KIT00295 (White)	5-Wire 347V Power Feed with 48" Air Craft Cable & Canopy

For other suspension kit lengths, please consult factory.
Emergency suspension kit required for each fixture containing emergency battery pack.

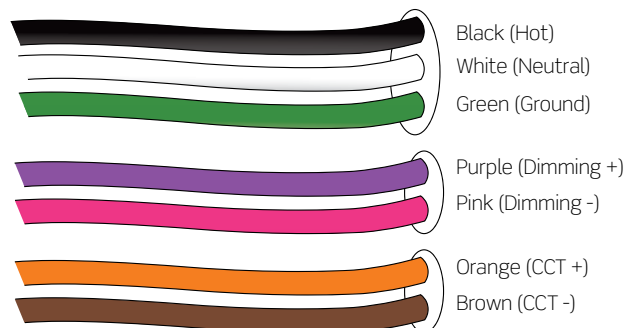
Performance Scaling Factor

	50K	40K	35K	30K
80CRI	1.000	1.000	0.960	0.946
90CRI	0.875	0.875	0.836	0.809

Tunable White

When Selecting 2765KT, if a tunable white-compatible control is not selected the luminaire will come standard with two sets of 0-10V wires for dimming and color tuning. For compatible control options please consult factory.

Dim and CCT control wire colors are subject to change without notice. All control wires are marked per the parentheses.



LMEZ 3 - INVERTED V

LED - Suspended Linear Direct/Indirect Luminaire with Inverted V Notched Housing

Project:	Catalogue #:	Type:
Notes:		

Performance Data

	Nominal lm per Foot Up	Total Delivered lm Up	Nominal lm per Foot Down	Total Delivered lm down	Total lm	Total W	lm/W
24"	0	-	400	847	847	7.3	116
	0	-	1000	2063	2063	18.8	110
	280	702	400	847	1549	13.4	116
	280	702	1000	2063	2765	24.9	111
	400	836	400	847	1683	14.7	114
	400	836	1000	2063	2899	26.2	111
	600	1222	400	847	2069	18.7	111
	600	1222	1000	2063	3285	30.2	109
48"	0	-	400	1611	2744	20.7	133
	0	-	1000	4127	4127	37.7	109
	280	1133	400	1611	2744	20.7	133
	280	1133	1000	4127	5260	44.5	118
	400	1602	400	1611	3213	23.8	135
	400	1602	1000	4127	5729	47.6	120
	600	2467	400	1611	4078	29.3	139
	600	2467	1000	4127	6594	53.1	124
72"	0	-	400	2458	2458	21.2	116
	0	-	1000	6190	6190	56.5	110
	280	1835	400	2458	4293	34.1	126
	280	1835	1000	6190	8025	69.4	116
	400	2438	400	2458	4896	38.5	127
	400	2438	1000	6190	8628	73.8	117
	600	3689	400	2458	6147	48.0	128
	600	3689	1000	6190	9879	83.3	119
96"	0	-	400	3222	3222	27.8	116
	0	-	1000	8254	8254	75.4	109
	280	2266	400	3222	5488	41.4	133
	280	2266	1000	8254	10520	59	118
	400	3204	400	3222	4626	47.6	135
	400	3204	1000	8254	11458	95.2	120
	600	4934	400	3222	8156	58.6	139
	600	4934	1000	8254	13188	106.2	124

NOTE: Lumens and wattage based on 80CRI 4000K CCT at 25 Degrees Celsius