

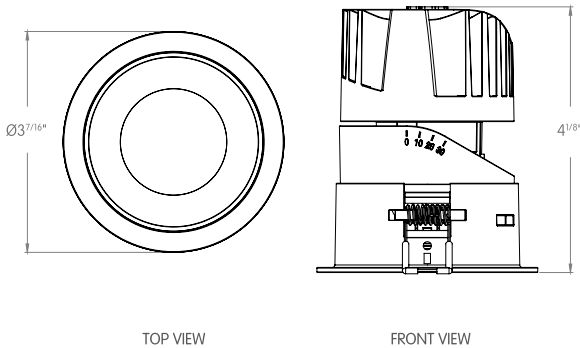


Spec-grade performance LED downlights. Optimal for hospitality, commercial, high-end residential and corporate projects.

The Chameleon R3 downlights offer a high output, precise optics, a wide range of mounting options, reflector finishes, and optical accessories.

- Up to 1,500lm delivered output
- Trim, trimless and millwork mounting options
- High CRI, up to +97 CRI, available upon request
- Dim-to-Warm capability 3000K to 1800K
- Tunable White capability 2700K to 5000K
- Gear driven tilt 0° to 30° and 360° lockable rotation
- Zoomable Lens from 15° to 50°
- 5 years limited warranty
- Wide range of trims and reflectors finishes

Code example: **C3-Z**R1W-L10R-WW-Z827-9-0



Series	Mounting	Trim Color	Output ¹	Voltage	Control
C3-Z	R1 Round Trim	W White	L 9W (901lm)	1 120V	0 Non-Dim
	R0 Round Trimless	B Black	M 11W (1030lm)	U² Universal 120V to 277V	1 0-10 to 1%
	R2 Round Trim with Constant Force Spring	S Grey	H 13W (1212lm)		2 0-10 fade-off
		X Custom			D Dali
	R3 Round Millwork				P Phase ELV & Triac
					L Lutron
					X DMX

Housing	Ref. Color	IP Rating	Optics Type	LED CRI	LED CCT	Emergency	Accessories
R Remodel	W Flat White	D Dry	Z 15°-50°	8 80	27 2700K	N No	0 No Accessories
N Non-IC	B Flat Black	W Wet		9 90	30 3000K	9 90 mins	C Clear Lens
F³ IC	N Black Nickel			T Thrive	35 3500K		D⁶ Diffuse lens
A³ Airtight	C Specular Chrome				40 4000K		E⁷ Elliptical Lens
	D Diffuse Chrome				WD⁴ 3000K - 1800K		H Honeycomb Lens
	G Bright Gold				TW⁵ 2700K - 5000K		S Solite Lens
	E Diffuse Gold						
	X Custom						

Notes:

- ¹ Denotes output at 3000K CRI 80, unless otherwise noted.
- ² Not applicable for ELV dimming.
- ³ Chicago Plenum rated.
- ⁴ Dim-to-Warm only available in CRI +90.
- ⁵ Tunable White available in 0-10V, DMX and DALI.
- ⁶ Diffuse lenses available in different angles.
- ⁷ Elliptical lenses available in different angles.

Consult factory for lead-times.
Bold Lighting reserves the right to make technical changes without notice.

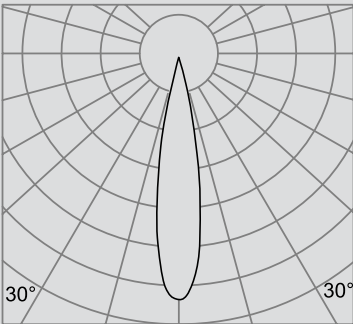


OPTICAL FLEXIBILITY

Photometric data: Type C Polar Curves

Zoomable Distribution 15° - 50°

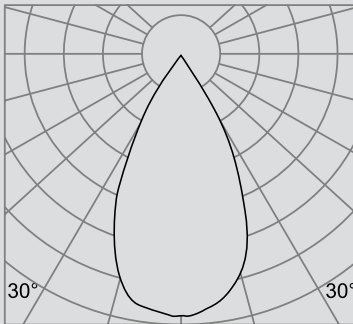
15°



Max. 6,425cd

1,000lm

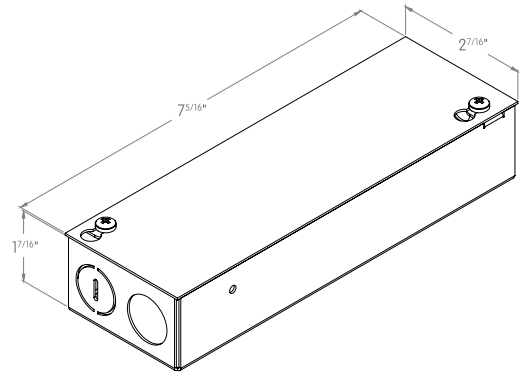
50°



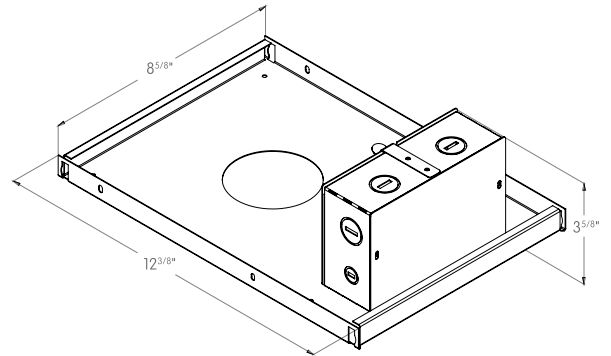
Max. 1,385cd

1,000lm

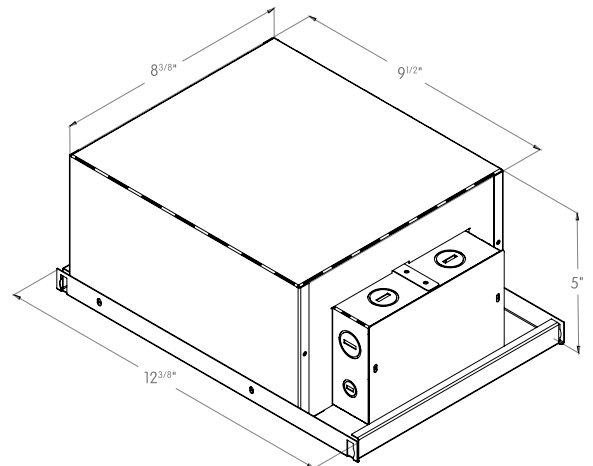
REMODEL HOUSING



NON-IC HOUSING



IC HOUSING & AIRTIGHT



CCC Certified to GB7000



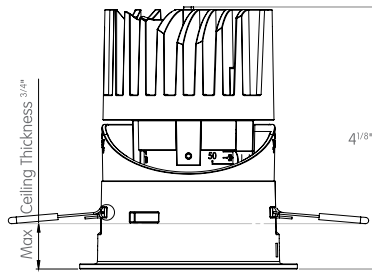
JA8 Certified to Title 24 standards

Bold Lighting
4710 Ecton Dr. Unit F & G, Marietta, GA 30066, USA
info@boldlighting.us www.boldlighting.us t: +1-678-903-4061

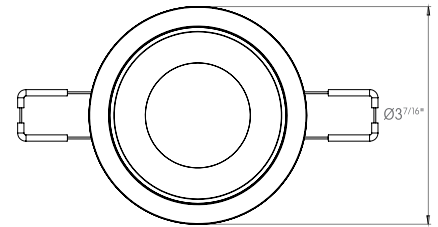
MOUNTING FLEXIBILITY

TRIM TORSION SPRINGS

Ø 3"



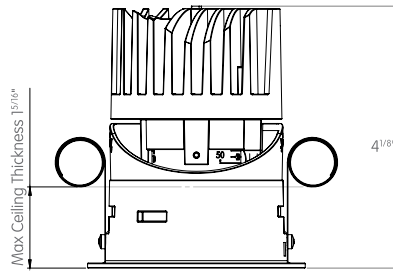
FRONT VIEW



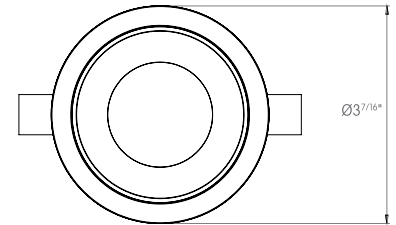
TOP VIEW

TRIM CONSTANT FORCE SPRINGS

Ø 3"



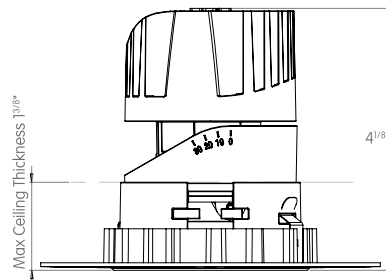
FRONT VIEW



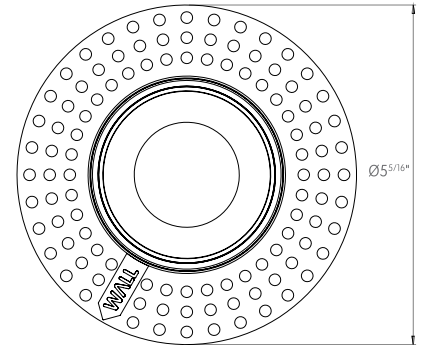
TOP VIEW

TRIMLESS

Ø 3 1/2"



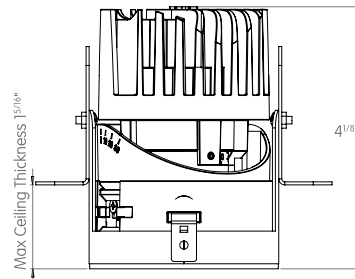
FRONT VIEW



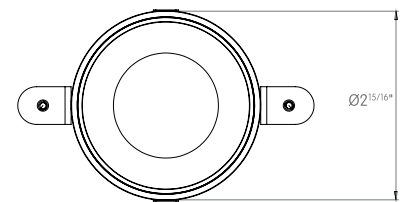
TOP VIEW

MILLWORK

Ø 3"



FRONT VIEW



TOP VIEW



CCC Certified to GB7000



JA8 Certified to Title 24 standards

Bold Lighting
4710 Ecton Dr. Unit F & G, Marietta, GA 30066, USA
info@boldlighting.us www.boldlighting.us t: +1-678-903-4061

DELIVERED LUMEN OUTPUT

Output		Watts			CRI +80			CRI +90		
STATIC-WHITE			2700K	3000K	4000K		2700K	3000K	4000K	
L	9W		850lm	910lm	930lm		700lm	740lm	890lm	
M	11W		980lm	1040lm	1070lm		810lm	840lm	1070lm	
H	13.3W		1150lm	1220lm	1250lm		950lm	990lm	1250lm	
DIM-TO-WARM 3000K-1800K							3000K			
L	6W						510lm			
TUNABLE WHITE 2700K-6500K							2700K-6500K			
L	4.5W						250lm~380lm			



CCC Certified
to GB7000



JA8 Certified
to Title 24
standards