

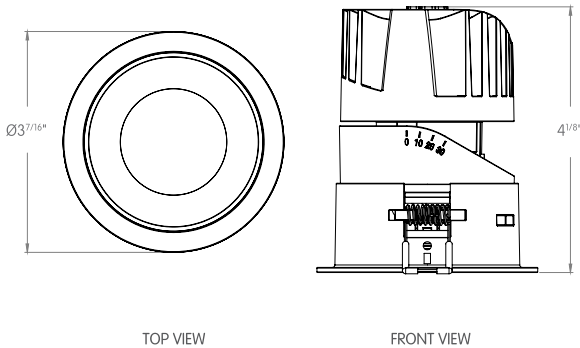


Spec-grade performance LED downlights. Optimal for hospitality, commercial, high-end residential and corporate projects.

The Chameleon R3 downlights offer a high output, precise optics, a wide range of mounting options, reflector finishes, and optical accessories.

- Up to 1,500lm delivered output
- Trim, trimless and millwork mounting options
- High CRI, up to +97 CRI, available upon request
- Dim-to-Warm capability 3000K to 1800K
- Tunable White capability 2700K to 5000K
- Gear driven tilt 0° to 30° and 360° lockable rotation
- Zoomable Lens from 15° to 50°
- 5 years limited warranty
- Wide range of trims and reflectors finishes

Code example: **C3-A** R1W-L10R-WW-S827-9-0



Series	Mounting	Trim Color	Output ¹	Voltage	Control
C3-A	R1 Round Trim	W White	L 9W (1016lm)	1 120V	0 Non-Dim
	R0 Round Trimless	B Black	M 11W (1219lm)	U ² Universal 120V to 277V	1 0-10 to 1%
	R2 Round Trim with Constant Force Spring	S Grey	H 13W (1422lm)		2 0-10 fade-off
		X Custom		D Dali	
	R3 Round Millwork			P Phase ELV & Triac	
				L Lutron	
				X DMX	

Housing	Ref. Color	IP Rating	Optics Type	LED CRI	LED CCT	Emergency	Accessories
R Remodel	W Flat White	D Dry	S 12°	8 80	27 2700K	N No	0 No Accessories
N Non-IC	B Flat Black	W Wet	M 24°	9 90	30 3000K	9 90 mins	C Clear Lens
F IC	N Black Nickel		F 36°	T Thrive	35 3500K		D ⁶ Diffuse lens
A ³ Airtight	C Specular Chrome				40 4000K		E ⁷ Elliptical Lens
	D Diffuse Chrome				WD ⁴ 3000K - 1800K		H Honeycomb Lens
	G Bright Gold				TW ⁵ 2700K - 5000K		S Solite Lens
	E Diffuse Gold				CC RGBW		
	X Custom						

Notes:

- ¹ Denotes output at 3000K CRI 80, unless otherwise noted.
- ² Not applicable for ELV dimming.
- ³ Chicago Plenum rated.
- ⁴ Dim-to-Warm only available in CRI +90.
- ⁵ Tunable White available in 0-10V, DMX and DALI.
- ⁶ Diffuse lenses available in different angles.
- ⁷ Elliptical lenses available in different angles.

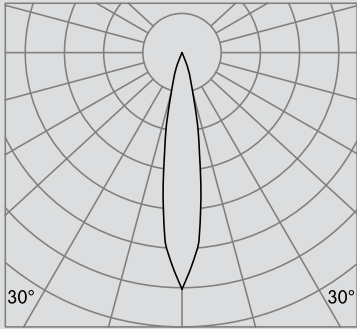
Consult factory for lead-times.
Bold Lighting reserves the right to make technical changes without notice.



OPTICAL FLEXIBILITY

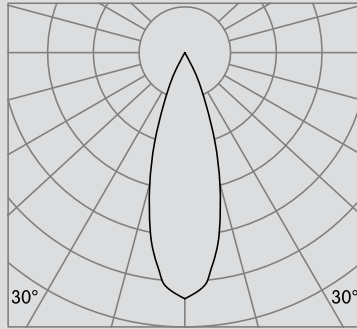
Photometric data: Type C Polar Curves

Narrow Distribution 12°



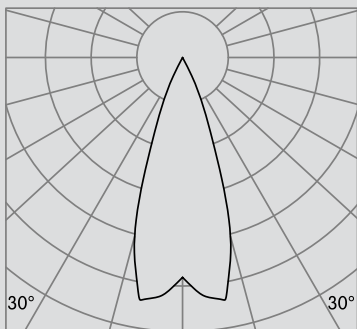
Max. 7,550cd 1,000lm

Medium Distribution 24°



Max. 3,420cd 1,000lm

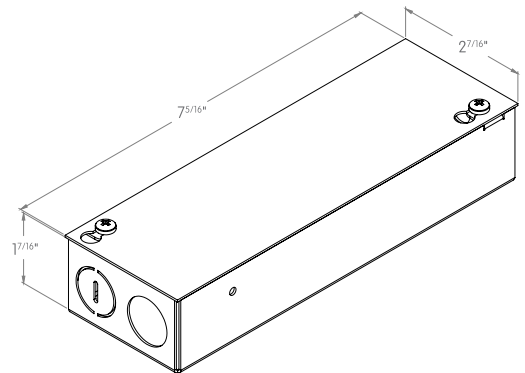
Flood Distribution 36°



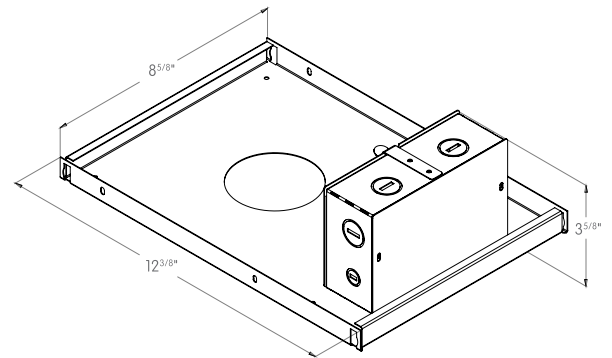
Max. 2,720cd 1,000lm

Notes:
Other beam distribution available on demand.
Please consult factory.

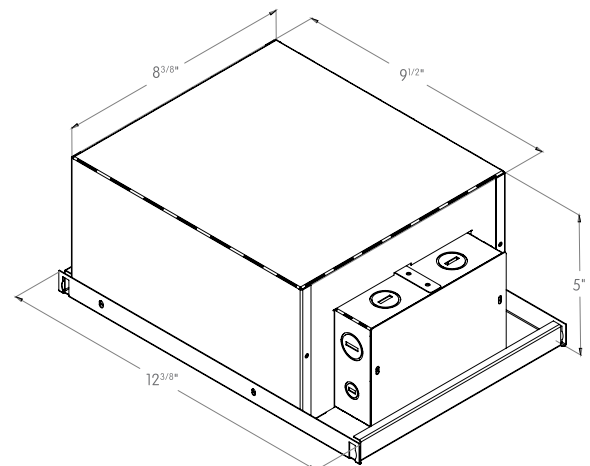
REMODEL HOUSING



NON-IC HOUSING



IC HOUSING & AIRTIGHT



CCC Certified to GB7000

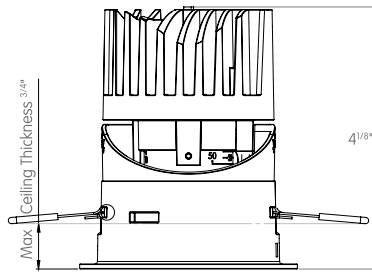


JA8 Certified to Title 24 standards

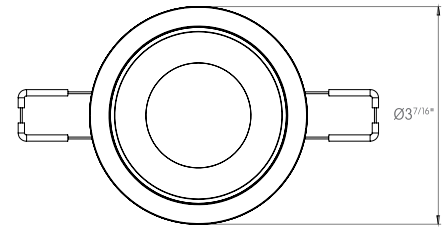
MOUNTING FLEXIBILITY

TRIM TORSION SPRINGS

Ø 3"



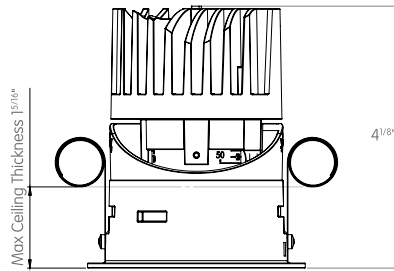
FRONT VIEW



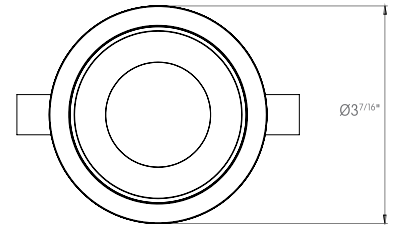
TOP VIEW

TRIM CONSTANT FORCE SPRINGS

Ø 3"



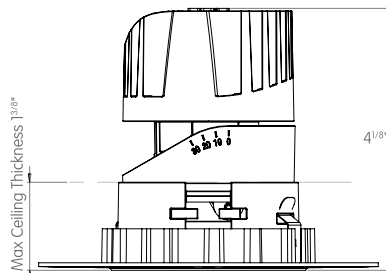
FRONT VIEW



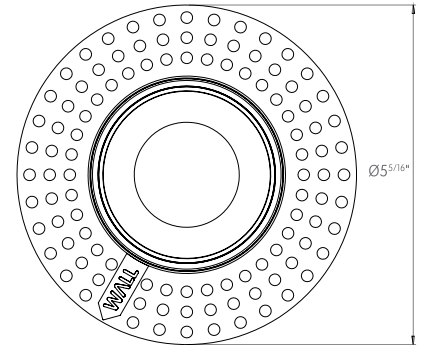
TOP VIEW

TRIMLESS

Ø 3 1/2"



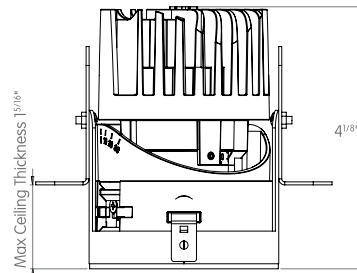
FRONT VIEW



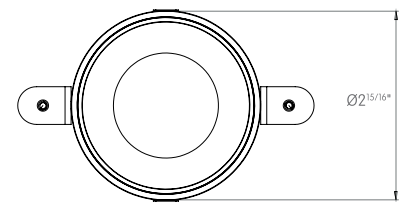
TOP VIEW

MILLWORK

Ø 3"



FRONT VIEW



TOP VIEW



CCC Certified to GB7000



JA8 Certified to Title 24 standards

Bold Lighting
4710 Ecton Dr. Unit F & G, Marietta, GA 30066, USA
info@boldlighting.us www.boldlighting.us t: +1-678-903-4061

DELIVERED LUMEN OUTPUT

Output		Watts			CRI +80			CRI +90		
STATIC-WHITE			2700K	3000K	4000K		2700K	3000K	4000K	
L	9W		980lm	1020lm	1050lm		840lm	870lm	890lm	
M	11W		1170lm	1220lm	1260lm		1010lm	1050lm	1070lm	
H	13.3W		1370lm	1430lm	1470lm		1180lm	1220lm	1240lm	
DIM-TO-WARM 3000K-1800K								3000K		
L	8.25W							800lm		
M	10W							950lm		
H	12W							1220lm		
TUNABLE WHITE 2700K-6500K								2700K-6500K		
L	8.25W							830lm~970lm		
M	10W							1000lm~1170lm		
H	12W							1160lm~1360lm		
RGBW							R	G	B	W
L	2W						50lm	270lm	50lm	200lm
TOTAL	8W									



CCC Certified to GB7000



JA8 Certified to Title 24 standards