



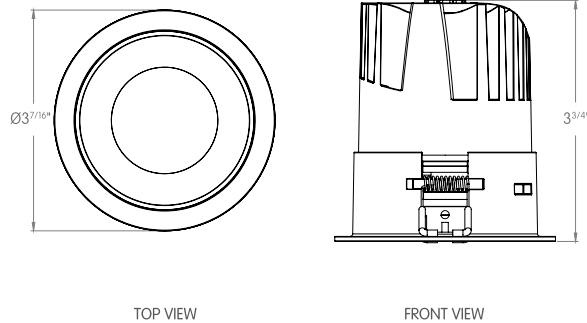
Spec-grade performance LED downlights. Optimal for hospitality, commercial, high-end residential and corporate projects.

The Chameleon R3 downlights offer a high output, precise optics, a wide range of mounting options, reflector finishes, and optical accessories.

- Up to 1,500lm delivered output
- Trim, trimless and millwork mounting options
- High CRI, up to +97 CRI, available upon request
- Dim-to-Warm capability 3000K to 1800K
- Tunable White capability 2700K to 5000K
- Wide Range of optical options
- 5 years limited warranty
- Wide range of trims and reflectors finishes

* Downlight is inherently IC rated per ETL testing to UL1598 standard and can be installed without a housing when specified with Standard Output (11 Watts). LED driver current is factory set at 260mA.

Code example: **C3-F**R1W-L10R-WW-S827-9-0



Series	Mounting	Trim Color	Output ¹	Voltage	Control
C3-F	R1 Round Trim	W White	L 9W (993lm)	1 120V	0 Non-Dim
	R0 Round Trimless	B Black	M 11W (1191lm)	U² Universal 120V to 277V	1 0-10 to 1%
	R2 Round Trim with Constant Force Spring	S Grey	H 13W (1390lm)		2 0-10 fade-off
		X Custom			D Dali
	R3 Round Millwork				P Phase ELV & Triac
					L Lutron
					X DMX

Housing	Ref. Color	IP Rating	Optics Type	LED CRI	LED CCT	Emergency	Accessories
R Remodel	W Flat White	D Dry	S 12°	8 80	27 2700K	N No	0 No Accessories
N Non-IC	B Flat Black	W Wet	M 24°	9 90	30 3000K	9 90 mins	C Clear Lens
F³ IC	N Black Nickel		F 36°	T Thrive	35 3500K		D⁶ Diffuse lens
A³ Airtight	C Specular Chrome				40 4000K		E⁷ Elliptical Lens
	D Diffuse Chrome				WD⁴ 3000K - 1800K		H Honeycomb Lens
	G Bright Gold				TW⁵ 2700K - 5000K		S Solite Lens
	E Diffuse Gold				CC RGBW		
	X Custom						

Notes:

- ¹ Denotes output at 3000K CRI 80, unless otherwise noted.
- ² Not applicable for ELV dimming.
- ³ Chicago Plenum rated.
- ⁴ Dim-to-Warm only available in CRI +90.
- ⁵ Tunable White available in 0-10V, DMX and DALI.
- ⁶ Diffuse lenses available in different angles.
- ⁷ Elliptical lenses available in different angles.

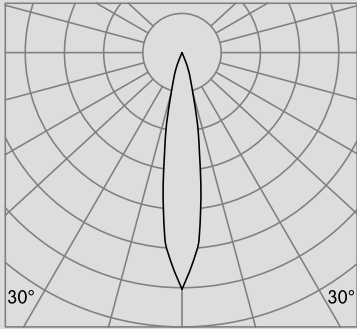
Consult factory for lead-times.
Bold Lighting reserves the right to make technical changes without notice.



OPTICAL FLEXIBILITY

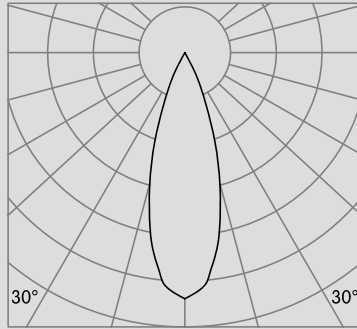
Photometric data: Type C Polar Curves

Narrow Distribution 12°



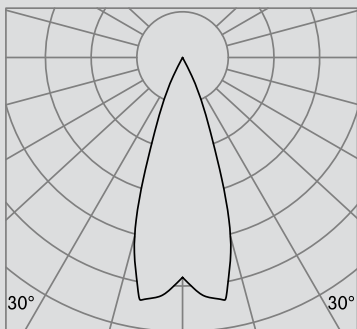
Max. 7,550cd 1,000lm

Medium Distribution 24°



Max. 3,420cd 1,000lm

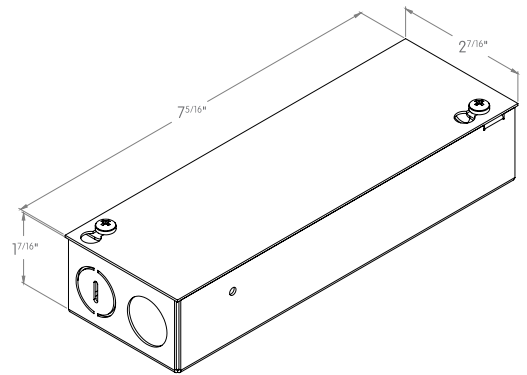
Flood Distribution 36°



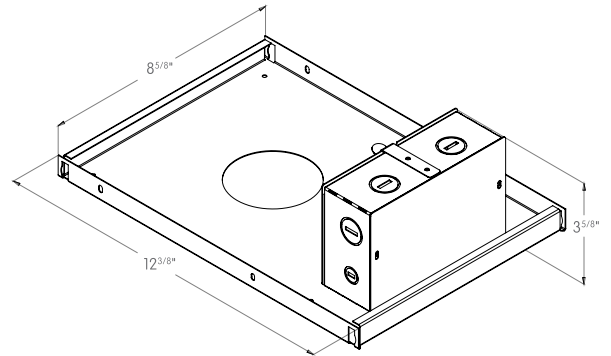
Max. 2,720cd 1,000lm

Notes:
Other beam distribution available on demand.
Please consult factory.

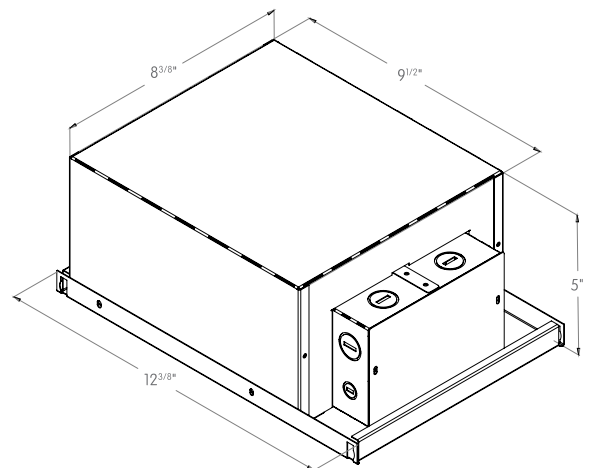
REMODEL HOUSING



NON-IC HOUSING



IC HOUSING & AIRTIGHT



CCC Certified to GB7000

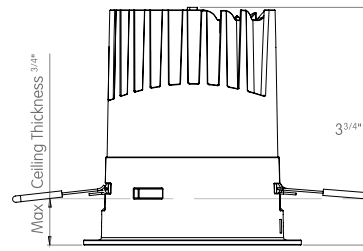


JA8 Certified to Title 24 standards

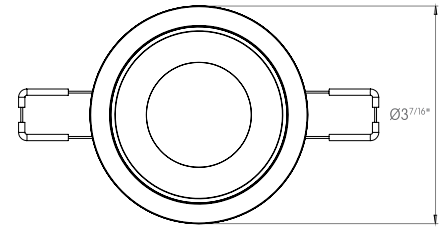
MOUNTING FLEXIBILITY

TRIM TORSION SPRINGS

Ø 3"



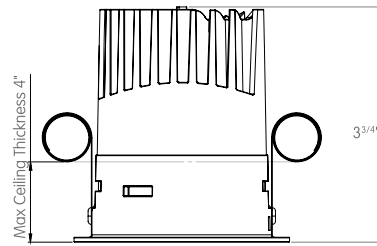
FRONT VIEW



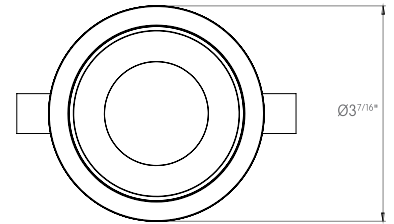
TOP VIEW

TRIM CONSTANT FORCE SPRINGS

Ø 3"



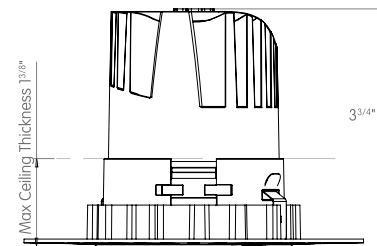
FRONT VIEW



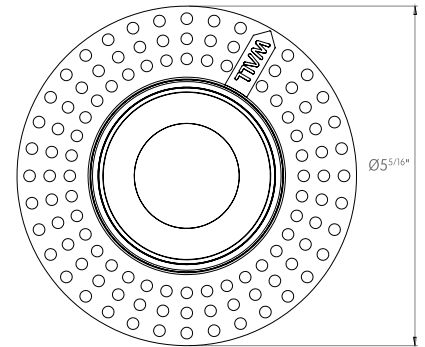
TOP VIEW

TRIMLESS

Ø 3 1/2"



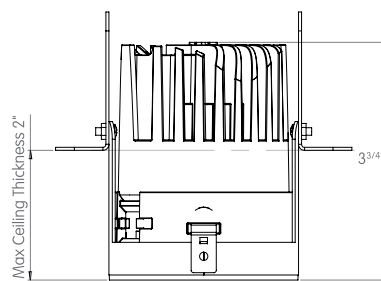
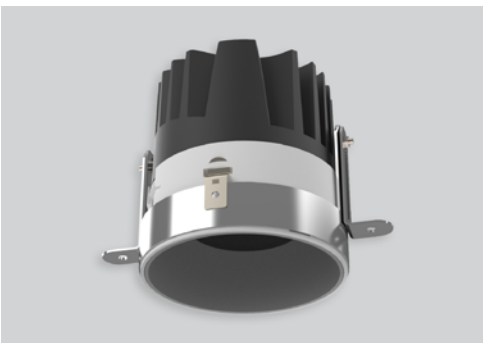
FRONT VIEW



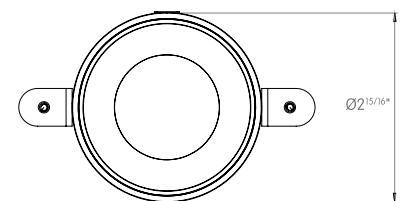
TOP VIEW

MILLWORK

Ø 3"



FRONT VIEW



TOP VIEW



CCC Certified to GB7000



JA8 Certified to Title 24 standards

Bold Lighting
4710 Ecton Dr. Unit F & G, Marietta, GA 30066, USA
info@boldlighting.us www.boldlighting.us t: +1-678-903-4061

DELIVERED LUMEN OUTPUT

Output		Watts			CRI +80			CRI +90		
STATIC-WHITE			2700K	3000K	4000K		2700K	3000K	4000K	
L	9W		960lm	1000lm	1020lm		820lm	850lm	870lm	
M	11W		1150lm	1200lm	1230lm		990lm	1020lm	1040lm	
H	13.3W		1340lm	1400lm	1430lm		1150lm	1200lm	1220lm	
DIM-TO-WARM 3000K-1800K							3000K			
L	8.25W						780lm			
M	10W						930lm			
H	12W						1200lm			
TUNABLE WHITE 2700K-6500K							2700K-6500K			
L	8.25W						810lm~950lm			
M	10W						980lm~1140lm			
H	12W						1140lm~1330lm			
RGBW							R	G	B	W
L	2W						50lm	260lm	50lm	190lm
TOTAL	8W									



CCC Certified to GB7000



JA8 Certified to Title 24 standards