



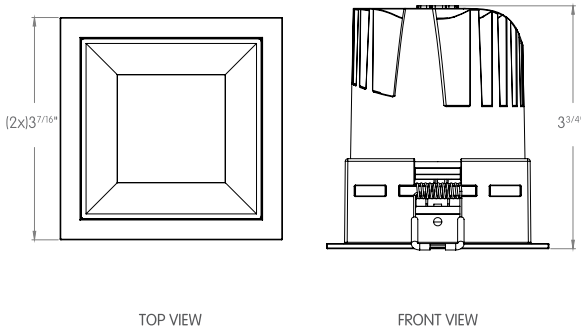
Spec-grade performance LED downlights. Optimal for hospitality, commercial, high-end residential and corporate projects.

The Chameleon S3 downlights offer a high output, precise optics, a wide range of mounting options, reflector finishes, and optical accessories.

- Up to 1,500lm delivered output
- Trim, trimless and millwork mounting options
- High CRI, up to +97 CRI, available upon request
- Dim-to-Warm capability 3000K to 1800K
- Tunable White capability 2700K to 5000K
- Wide Range of optical options
- 5 years limited warranty
- Wide range of trims and reflector finishes

Code example: **C3-F**S1W-L10R-WW-S827-9-0

Series	Mounting	Trim Color	Output ¹	Voltage	Control
C3-F	S1 Square Trim	W White	L 9W (993lm)	1 120V	0 Non-Dim
	S0 Square Trimless	B Black	M 11W (1191lm)	U² Universal 120V to 277V	1 0-10 to 1%
	S2 Square Trim with Constant Force Spring	S Grey	H 13W (1390lm)		2 0-10 fade-off
	S3 Square Millwork	X Custom			D Dali
					P Phase ELV & Triac
					L Lutron
					X DMX



Housing	Ref. Color	IP Rating	Optics Type	LED CRI	LED CCT	Emergency	Accessories
R Remodel	W Flat White	D Dry	S 12°	8 80	27 2700K	N No	0 No Accessories
N Non-IC	B Flat Black	W Wet	M 24°	9 90	30 3000K	9 90 mins	C Clear Lens
F³ IC	N Black Nickel		F 36°	T Thrive	35 3500K		D⁶ Diffuse lens
A³ Airtight	C Specular Chrome				40 4000K		E⁷ Elliptical Lens
	D Diffuse Chrome				WD⁴ 3000K - 1800K		H Honeycomb Lens
	G Bright Gold				TW⁵ 2700K - 5000K		S Solite Lens
	E Diffuse Gold				CC RGBW		
	X Custom						

Notes:

- ¹ Denotes output at 3000K CRI 80, unless otherwise noted.
- ² Not applicable for ELV dimming.
- ³ Chicago Plenum rated.
- ⁴ Dim-to-Warm only available in CRI +90.
- ⁵ Tunable White available in 0-10V, DMX and DALI.
- ⁶ Diffuse lenses available in different angles.
- ⁷ Elliptical lenses available in different angles.

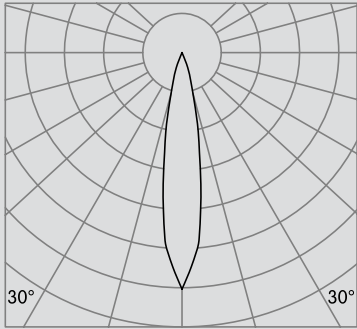
Consult factory for lead-times.
Bold Lighting reserves the right to make technical changes without notice.



OPTICAL FLEXIBILITY

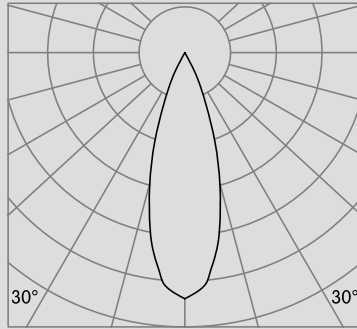
Photometric data: Type C Polar Curves

Narrow Distribution 12°



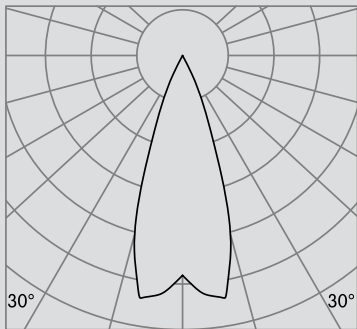
Max. 7,550cd 1,000lm

Medium Distribution 24°



Max. 3,420cd 1,000lm

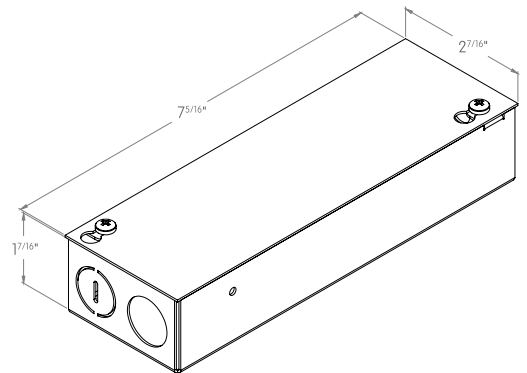
Flood Distribution 36°



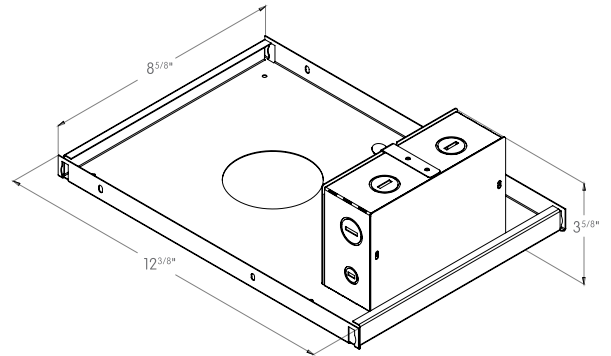
Max. 2,720cd 1,000lm

Notes:
Other beam distribution available on demand.
Please consult factory.

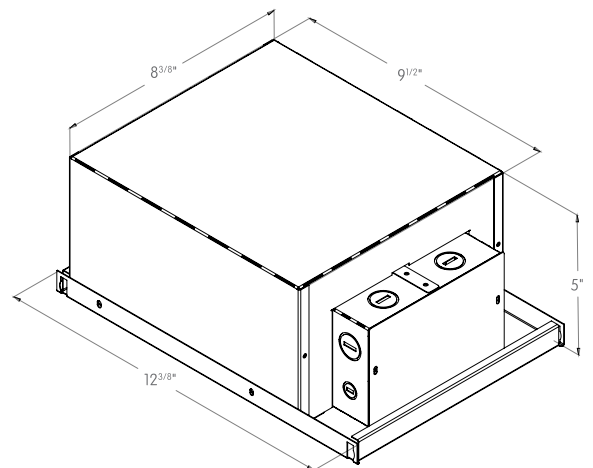
REMODEL HOUSING



NON-IC HOUSING



IC HOUSING & AIRTIGHT




CCC Certified to GB7000

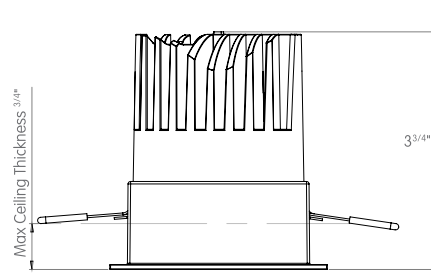


JA8 Certified to Title 24 standards

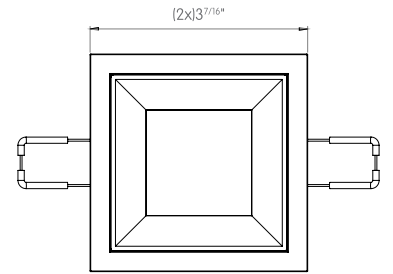
MOUNTING FLEXIBILITY

TRIM TORSION SPRINGS

 3x3"




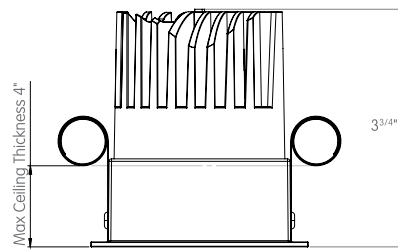
FRONT VIEW



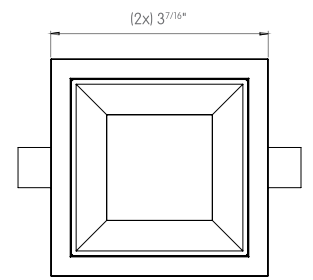
TOP VIEW

TRIM CONSTANT FORCE SPRINGS

 3x3"




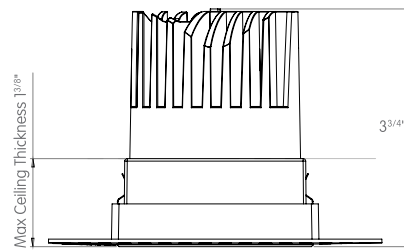
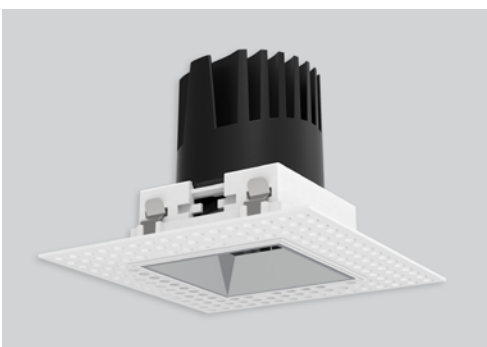
FRONT VIEW



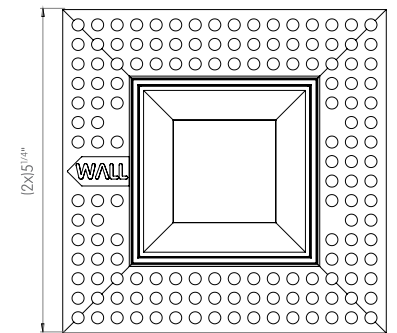
TOP VIEW

TRIMLESS

 3 1/2" x 3 1/2"




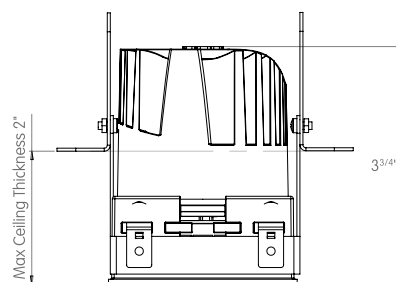
FRONT VIEW



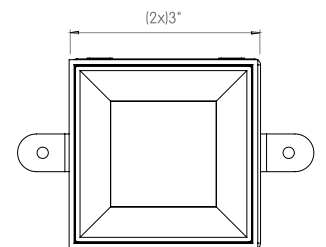
TOP VIEW

MILLWORK

 3x3"



FRONT VIEW



TOP VIEW



CCC Certified to GB7000



JA8 Certified to Title 24 standards

DELIVERED LUMEN OUTPUT

Output		Watts			CRI +80			CRI +90			
STATIC-WHITE			2700K	3000K	4000K		2700K	3000K	4000K		
L	9W		960lm	1000lm	1020lm		820lm	850lm	870lm		
M	11W		1150lm	1200lm	1230lm		990lm	1020lm	1040lm		
H	13.3W		1340lm	1400lm	1430lm		1150lm	1200lm	1220lm		
DIM-TO-WARM 3000K-1800K								3000K			
L	8.25W							780lm			
M	10W							930lm			
H	12W							1200lm			
TUNABLE WHITE 2700K-6500K								2700K-6500K			
L	8.25W							810lm~950lm			
M	10W							980lm~1140lm			
H	12W							1140lm~1330lm			
RGBW							R	G	B	W	
L	2W						50lm	260lm	50lm	190lm	
TOTAL	8W										



CCC Certified
to GB7000



JA8 Certified
to Title 24
standards