

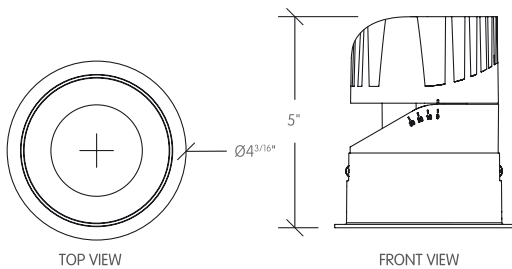


Spec-grade performance LED downlights. Optimal for hospitality, commercial, high-end residential and corporate projects.

The Chameleon R4 downlights offer a high output, precise optics, a wide range of mounting options, reflector finishes, and optical accessories.

- Up to 2,500lm delivered output
- Trim, trimless and millwork mounting options
- High CRI, up to +97 CRI, available upon request
- Dim-to-Warm capability 3000K to 1800K
- Tunable White capability 2700K to 5000K
- Gear driven tilt 0° to 35° and 360° lockable rotation
- Zoomable Lens from 10° to 50°
- 5 years limited warranty
- Wide range of trims and reflectors finishes

Code example: **C4-Z**R1W-L10R-WW-Z827-9-0



Series	Mounting	Trim Color	Output <sup>1</sup>	Voltage	Control
<b>C4-Z</b>	<b>R1</b> Round Trim	<b>W</b> White	<b>L</b> 10W (1108lm)	<b>1</b> 120V	<b>0</b> Non-Dim
	<b>R0</b> Round Trimless	<b>B</b> Black	<b>M</b> 12W (1345lm)		<b>U</b> <sup>2</sup> Universal 120V to 277V
	<b>R2</b> Round Trim with Constant Force Spring	<b>S</b> Grey	<b>H</b> 18W (1681lm)	<b>V</b> 22W (2343lm)	<b>2</b> 0-10 fade-off
		<b>X</b> Custom			<b>D</b> Dali
	<b>R3</b> Round Millwork				<b>P</b> Phase ELV & Triac
					<b>L</b> Lutron
					<b>X</b> DMX

Housing	Ref. Color	IP Rating	Optics Type	LED CRI	LED CCT	Emergency	Accessories
<b>R</b> Remodel	<b>W</b> Flat White	<b>D</b> Dry	<b>Z</b> 10°-50°	<b>8</b> 80	<b>27</b> 2700K	<b>N</b> No	<b>0</b> No Accessories
<b>N</b> Non-IC	<b>B</b> Flat Black	<b>W</b> Wet		<b>9</b> 90	<b>30</b> 3000K		<b>9</b> 90 mins
<b>I</b> <sup>3</sup> IC	<b>N</b> Black Nickel			<b>T</b> Thrive	<b>35</b> 3500K		<b>D</b> <sup>6</sup> Diffuse lens
<b>A</b> <sup>3</sup> Airtight	<b>C</b> Specular Chrome				<b>40</b> 4000K		<b>E</b> <sup>7</sup> Elliptical Lens
	<b>D</b> Diffuse Chrome				<b>WD</b> <sup>4</sup> 3000K - 1800K		<b>H</b> Honeycomb Lens
	<b>G</b> Bright Gold				<b>TW</b> <sup>5</sup> 2700K - 5000K		<b>S</b> Solite Lens
	<b>E</b> Diffuse Gold						
	<b>X</b> Custom						

Notes:

- <sup>1</sup> Denotes output at 3000K CRI 80, unless otherwise noted.
- <sup>2</sup> Not applicable for ELV dimming.
- <sup>3</sup> Chicago Plenum rated.
- <sup>4</sup> Dim-to-Warm only available in CRI +90.
- <sup>5</sup> Tunable White available in 0-10V, DMX and DALI.
- <sup>6</sup> Diffuse lenses available in different angles.
- <sup>7</sup> Elliptical lenses available in different angles.

Consult factory for lead-times.  
Bold Lighting reserves the right to make technical changes without notice.

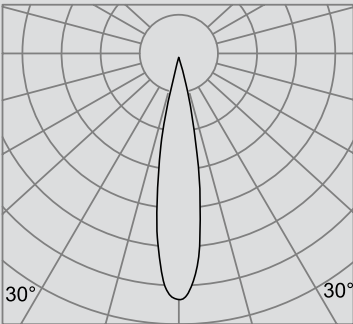


# OPTICAL FLEXIBILITY

## Photometric data: Type C Polar Curves

### Zoomable Distribution 10° - 50°

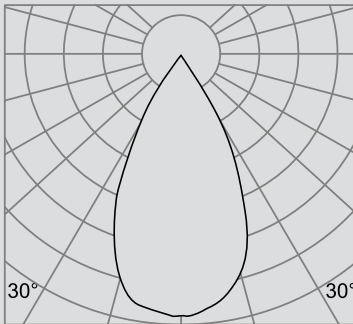
10°



Max. 6,425cd

1,000lm

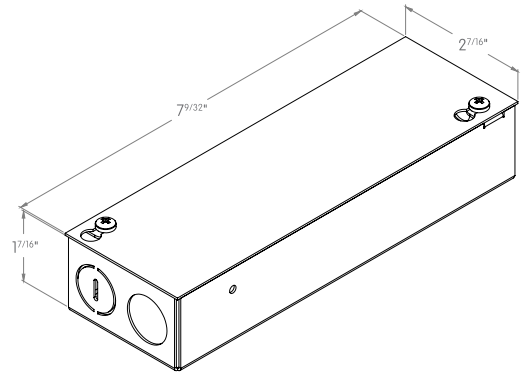
50°



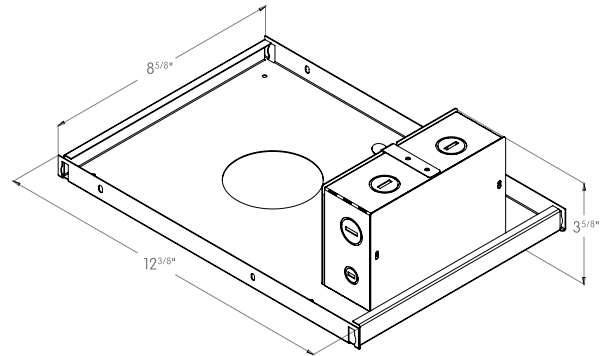
Max. 1,385cd

1,000lm

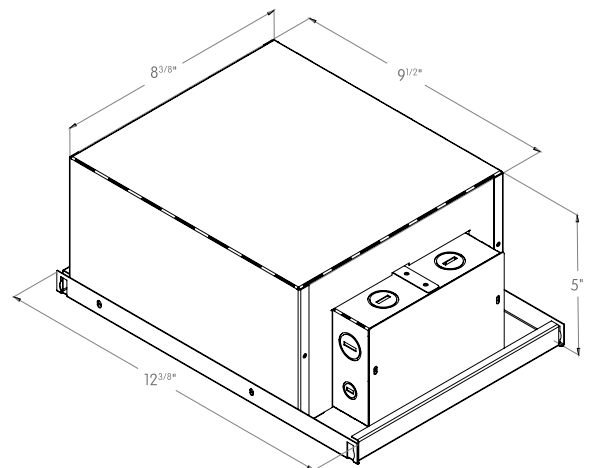
## REMODEL HOUSING



## NON-IC HOUSING



## IC HOUSING & AIRTIGHT



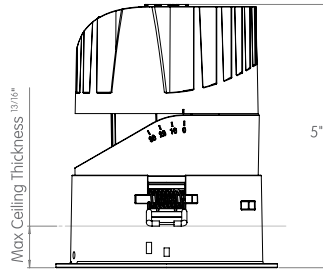
CCC Certified to GB7000



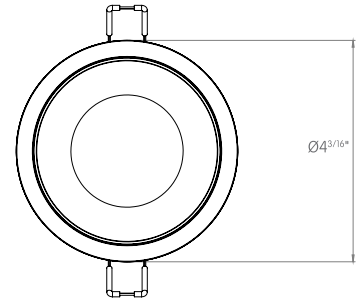
JA8 Certified to Title 24 standards

# MOUNTING FLEXIBILITY

## TRIM TORSION SPRINGS



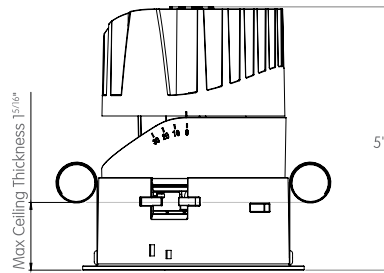
FRONT VIEW



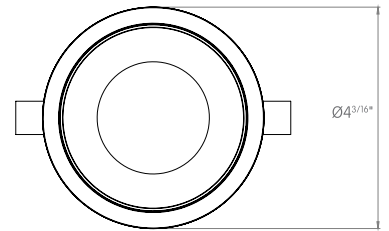
TOP VIEW

Ø 3 7/8"

## TRIM CONSTANT FORCE SPRINGS



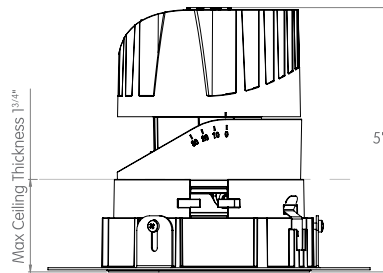
FRONT VIEW



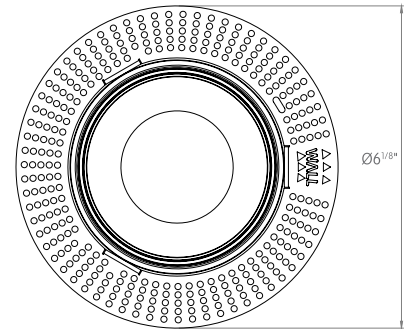
TOP VIEW

Ø 3 7/8"

## TRIMLESS



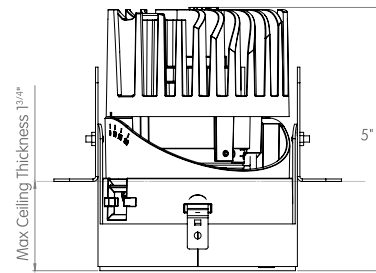
FRONT VIEW



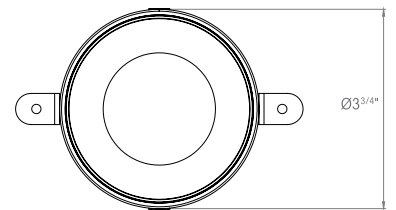
TOP VIEW

Ø 4 3/8"

## MILLWORK



FRONT VIEW



TOP VIEW

Ø 3 7/8"



CCC Certified  
to GB7000



JA8 Certified  
to Title 24  
standards

**Bold Lighting**  
4710 Ecton Dr. Unit F & G, Marietta, GA 30066, USA  
info@boldlighting.us www.boldlighting.us t: +1-678-903-4061

# DELIVERED LUMEN OUTPUT

Output		Watts	CRI +80			CRI +90		
<b>STATIC-WHITE</b>			<b>2700K</b>	<b>3000K</b>	<b>4000K</b>	<b>2700K</b>	<b>3000K</b>	<b>4000K</b>
<b>L</b>	10.35W		970lm	1010lm	1030lm	830lm	860lm	880lm
<b>M</b>	12W		1280lm	1340lm	1380lm	1110lm	1150lm	1170lm
<b>H</b>	18W		1610lm	1680lm	1720lm	1380lm	1440lm	1460lm
<b>V</b>	22.1W					2300lm	2350lm	2350lm
<b>DIM-TO-WARM</b>						<b>3000K</b>		
<b>3000K-1800K</b>								
<b>L</b>	10W					810lm		
<b>M</b>	12W					1040lm		
<b>H</b>	16W					1160lm		
<b>TUNABLE WHITE</b>						<b>2700K-6500K</b>		
<b>2700K-6500K</b>								
<b>L</b>	10W					850lm~990lm		
<b>M</b>	12W					990lm~1160lm		
<b>H</b>	17W					1140lm~1410lm		



CCC Certified to GB7000



JA8 Certified to Title 24 standards