

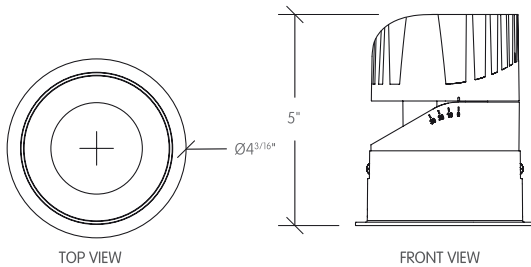


Spec-grade performance LED downlights. Optimal for hospitality, commercial, high-end residential and corporate projects.

The Chameleon R4 downlights offer a high output, precise optics, a wide range of mounting options, reflector finishes, and optical accessories.

- Up to 2,500lm delivered output
- Trim, trimless and millwork mounting options
- High CRI, up to +97 CRI, available upon request
- Dim-to-Warm capability 3000K to 1800K
- Tunable White capability 2700K to 5000K
- Gear driven tilt 0° to 35° and 360° lockable rotation
- Zoomable Lens from 10° to 50°
- 5 years limited warranty
- Wide range of trims and reflectors finishes

Code example: **C4-A**R1W-L10R-WW-S827-9-0



| Series | Mounting | Trim Color | Output ¹ | Voltage | Control |
|-------------|---|-----------------|-----------------------|-----------------------|--|
| C4-A | R1 Round Trim | W White | L 10W (1108lm) | 1 120V | 0 Non-Dim |
| | R0 Round Trimless | B Black | M 12W (1345lm) | | U ² Universal 120V to 277V |
| | R2 Round Trim with Constant Force Spring | S Grey | H 18W (1681lm) | V 22W (2749lm) | |
| | | X Custom | | | D Dali |
| | R3 Round Millwork | | | | P Phase ELV & Triac |
| | | | | | L Lutron |
| | | | | | X DMX |

| Housing | Ref. Color | IP Rating | Optics Type | LED CRI | LED CCT | Emergency | Accessories |
|--------------------------------|--------------------------|--------------|--------------|-----------------|--------------------------------------|------------------|---------------------------------------|
| R Remodel | W Flat White | D Dry | S 12° | 8 80 | 27 2700K | N No | 0 No Accessories |
| N Non-IC | B Flat Black | W Wet | M 24° | 9 90 | 30 3000K | 9 90 mins | C Clear Lens |
| I ³ IC | N Black Nickel | | F 36° | T Thrive | 35 3500K | | D ⁶ Diffuse lens |
| A ³ Airtight | C Specular Chrome | | | | 40 4000K | | E ⁷ Elliptical Lens |
| | D Diffuse Chrome | | | | WD ⁴ 3000K - 1800K | | H Honeycomb Lens |
| | G Bright Gold | | | | TW ⁵ 2700K - 5000K | | S Solite Lens |
| | E Diffuse Gold | | | | CC RGBW | | |
| | X Custom | | | | | | |

Notes:
¹ Denotes output at 3000K CRI 80, unless otherwise noted.
² Not applicable for ELV dimming.
³ Chicago Plenum rated.
⁴ Dim-to-Warm only available in CRI +90.
⁵ Tunable White available in 0-10V, DMX and DALI.
⁶ Diffuse lenses available in different angles.
⁷ Elliptical lenses available in different angles.

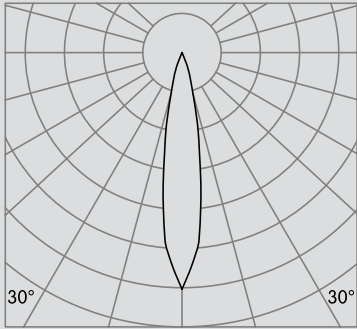
Consult factory for lead-times.
 Bold Lighting reserves the right to make technical changes without notice.



OPTICAL FLEXIBILITY

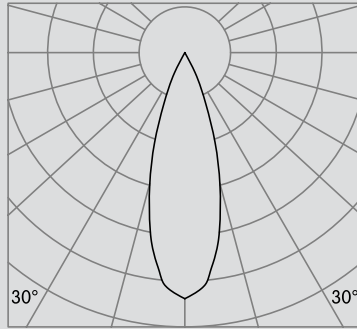
Photometric data: Type C Polar Curves

Narrow Distribution 12°



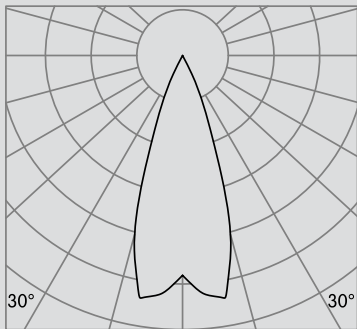
Max. 7,550cd 1,000lm

Medium Distribution 24°



Max. 3,420cd 1,000lm

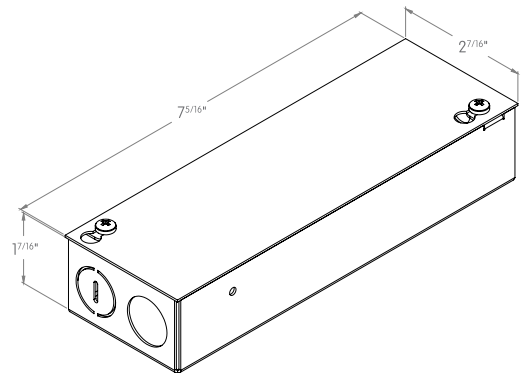
Flood Distribution 36°



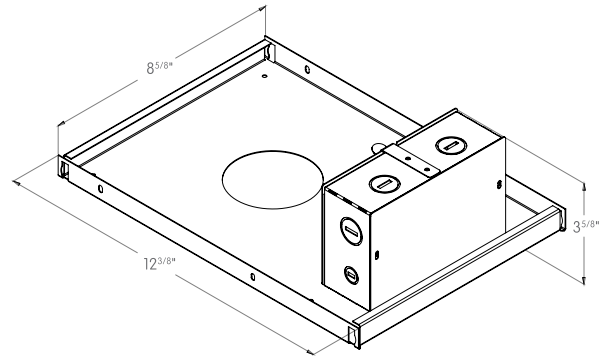
Max. 2,720cd 1,000lm

Notes:
Other beam distribution available on demand.
Please consult factory.

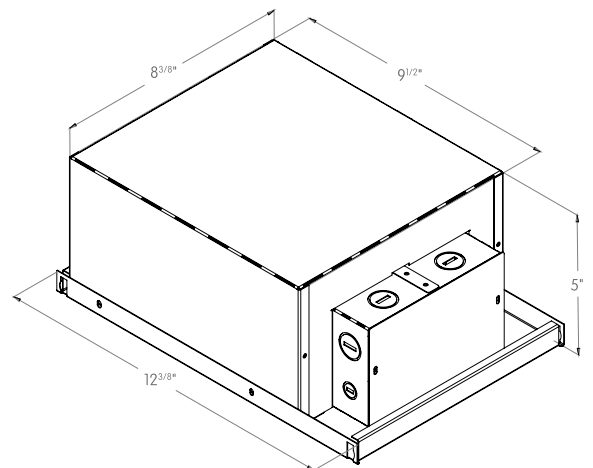
REMODEL HOUSING



NON-IC HOUSING



IC HOUSING & AIRTIGHT



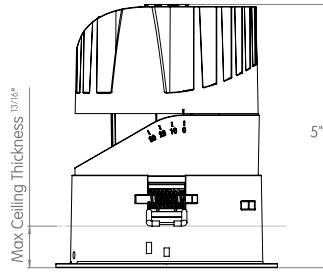
CCC Certified to GB7000



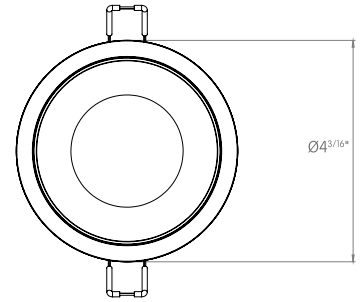
JA8 Certified to Title 24 standards

MOUNTING FLEXIBILITY

TRIM TORSION SPRINGS



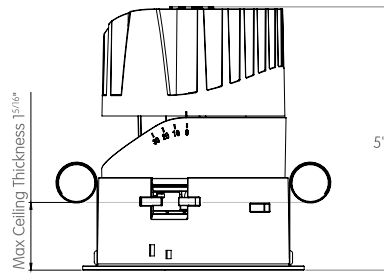
FRONT VIEW



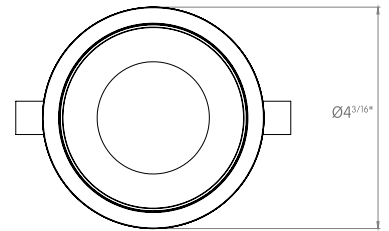
TOP VIEW

Ø 3^{7/8}"

TRIM CONSTANT FORCE SPRINGS



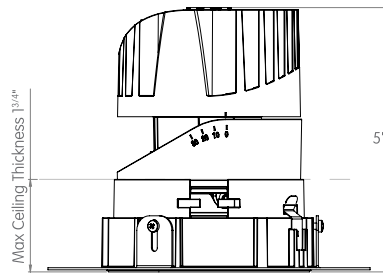
FRONT VIEW



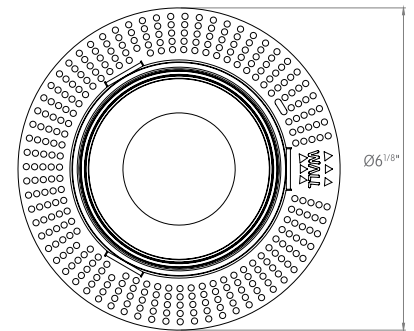
TOP VIEW

Ø 3^{7/8}"

TRIMLESS



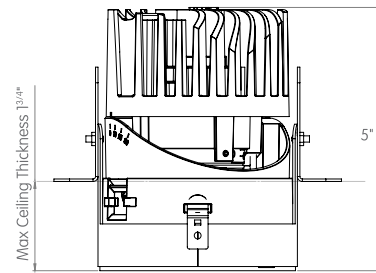
FRONT VIEW



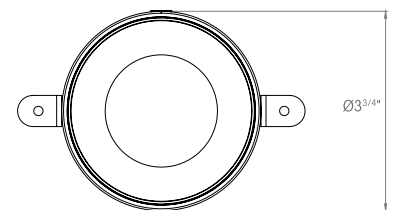
TOP VIEW

Ø 4^{3/8}"

MILLWORK



FRONT VIEW



TOP VIEW

Ø 3^{7/8}"



CCC Certified
to GB7000



JA8 Certified
to Title 24
standards

Bold Lighting
4710 Ecton Dr. Unit F & G, Marietta, GA 30066, USA
info@boldlighting.us www.boldlighting.us t: +1-678-903-4061

DELIVERED LUMEN OUTPUT

| Output | | Watts | | | CRI +80 | | | CRI +90 | | |
|--------------------------------------|--------|-------|--------------|--------------|--------------|--|--------------------|--------------|--------------|----------|
| STATIC-WHITE | | | 2700K | 3000K | 4000K | | 2700K | 3000K | 4000K | |
| L | 10.35W | | 1130lm | 1180lm | 1210lm | | 970lm | 1010lm | 1030lm | |
| M | 12W | | 1500lm | 1570lm | 1620lm | | 1300lm | 1350lm | 1370lm | |
| H | 18W | | 1880lm | 1970lm | 2020lm | | 1620lm | 1690lm | 1710lm | |
| V | 22.1W | | | | | | 2700lm | 2750lm | 2750lm | |
| DIM-TO-WARM 3000K-1800K | | | | | | | 3000K | | | |
| L | 10W | | | | | | 930lm | | | |
| M | 12W | | | | | | 1200lm | | | |
| H | 16W | | | | | | 1330lm | | | |
| V | 20W | | | | | | 1820lm | | | |
| TUNABLE WHITE 2700K-6500K | | | | | | | 2700K-6500K | | | |
| L | 10W | | | | | | 1000lm~1170lm | | | |
| M | 12W | | | | | | 1160lm~1360lm | | | |
| H | 18W | | | | | | 1540lm~1800lm | | | |
| RGBW | | | | | | | R | G | B | W |
| L | 4W | | | | | | 90lm | 560lm | 100lm | 380lm |
| TOTAL | 16W | | | | | | | | | |



CCC Certified to GB7000



JA8 Certified to Title 24 standards