

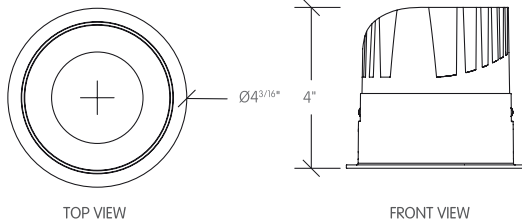


Spec-grade performance LED downlights. Optimal for hospitality, commercial, high-end residential and corporate projects.

The Chameleon R4 downlights offer a high output, precise optics, a wide range of mounting options, reflector finishes, and optical accessories.

- Up to 2,500lm delivered output
- Trim, trimless and millwork mounting options
- High CRI, up to +97 CRI, available upon request
- Dim-to-Warm capability 3000K to 1800K
- Tunable White capability 2700K to 5000K
- Wide Range of optical options
- 5 years limited warranty
- Wide range of trims and reflectors finishes

Code example: **C4-F**R1W-L10R-WW-S827-9-0



Series	Mounting	Trim Color	Output ¹	Voltage	Control
C4-F	R1 Round Trim	W White	L 10W (1108lm)	1 120V	0 Non-Dim
	R0 Round Trimless	B Black	M 12W (1345lm)		U ² Universal 120V to 277V
	R2 Round Trim with Constant Force Spring	S Grey	H 18W (1681lm)	V 22W (2686lm)	2 0-10 fade-off
		X Custom			D Dali
	R3 Round Millwork				P Phase ELV & Triac
					L Lutron
					X DMX

Housing	Ref. Color	IP Rating	Optics Type	LED CRI	LED CCT	Emergency	Accessories
R Remodel	W Flat White	D Dry	S 12°	8 80	27 2700K	N No	0 No Accessories
N Non-IC	B Flat Black	W Wet	M 24°	9 90	30 3000K	9 90 mins	C Clear Lens
I ³ IC	N Black Nickel		F 36°	T Thrive	35 3500K		D ⁶ Diffuse lens
A ³ Airtight	C Specular Chrome				40 4000K		E ⁷ Elliptical Lens
	D Diffuse Chrome				WD ⁴ 3000K - 1800K		H Honeycomb Lens
	G Bright Gold				TW ⁵ 2700K - 5000K		S Solite Lens
	E Diffuse Gold				CC RGBW		
	X Custom						

Notes:

- ¹ Denotes output at 3000K CRI 80, unless otherwise noted.
- ² Not applicable for ELV dimming.
- ³ Chicago Plenum rated.
- ⁴ Dim-to-Warm only available in CRI +90.
- ⁵ Tunable White available in 0-10V, DMX and DALI.
- ⁶ Diffuse lenses available in different angles.
- ⁷ Elliptical lenses available in different angles.

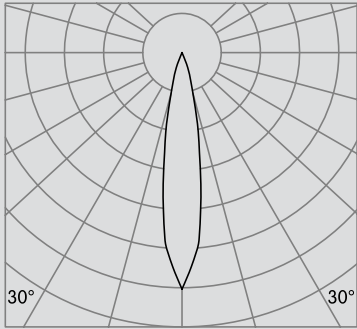
Consult factory for lead-times.
Bold Lighting reserves the right to make technical changes without notice.



OPTICAL FLEXIBILITY

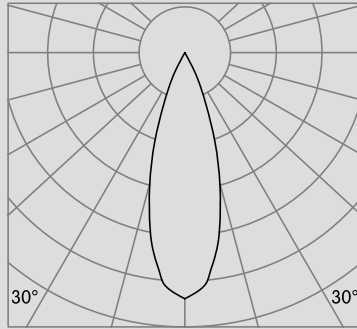
Photometric data: Type C Polar Curves

Narrow Distribution 12°



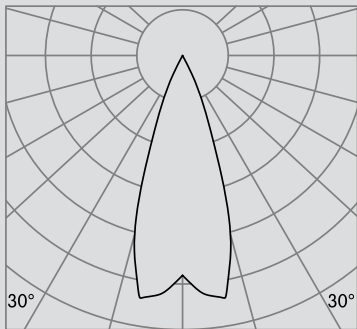
Max. 7,550cd 1,000lm

Medium Distribution 24°



Max. 3,420cd 1,000lm

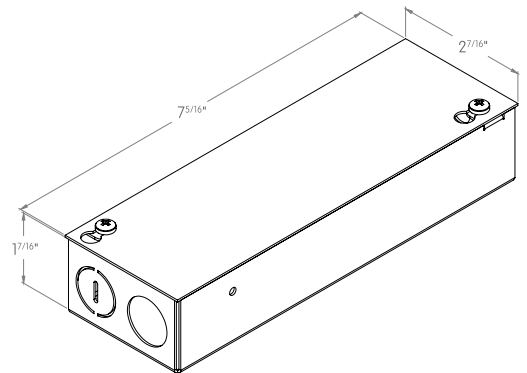
Flood Distribution 36°



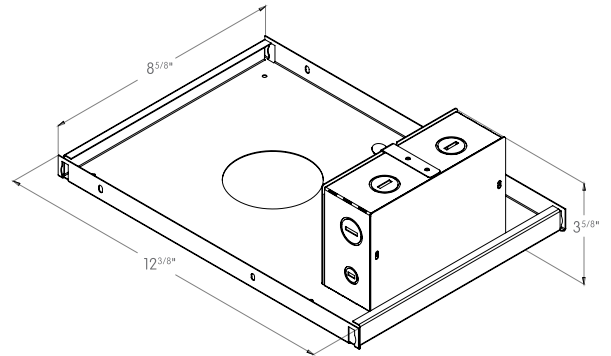
Max. 2,720cd 1,000lm

Notes:
Other beam distribution available on demand.
Please consult factory.

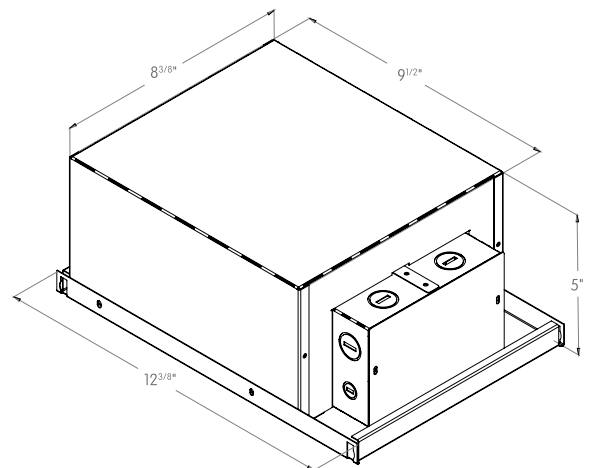
REMODEL HOUSING



NON-IC HOUSING



IC HOUSING & AIRTIGHT



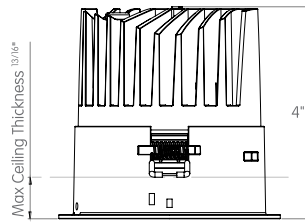
CCC Certified to GB7000



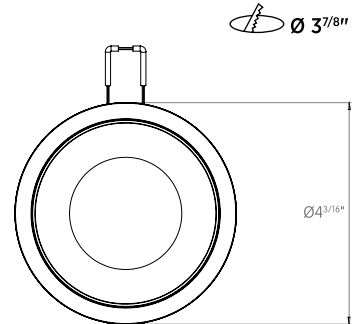
JA8 Certified to Title 24 standards

MOUNTING FLEXIBILITY

TRIM TORSION SPRINGS

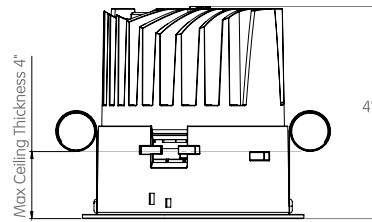


FRONT VIEW

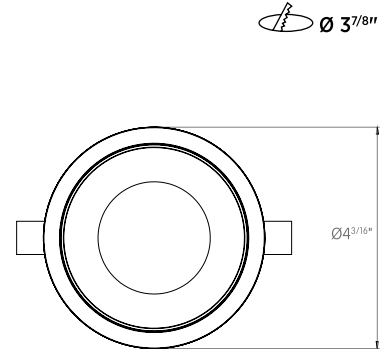


TOP VIEW

TRIM CONSTANT FORCE SPRINGS

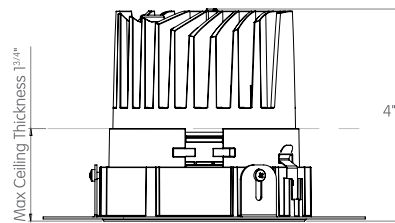


FRONT VIEW

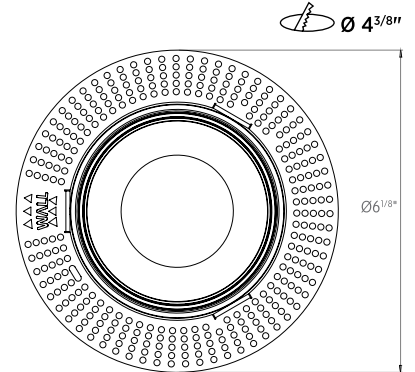


TOP VIEW

TRIMLESS

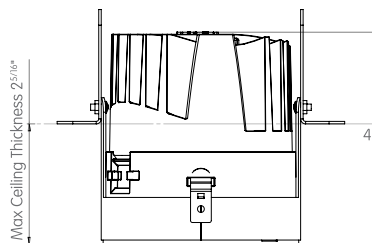
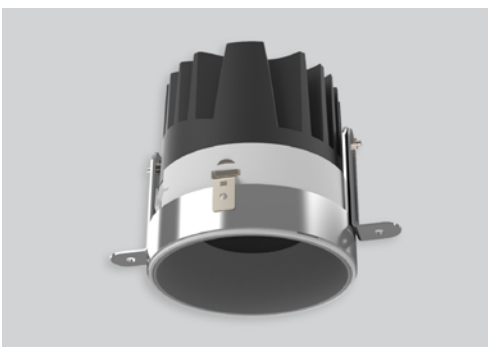


FRONT VIEW

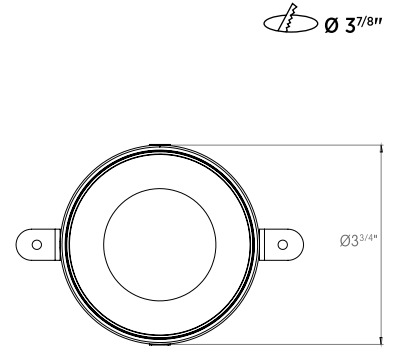


TOP VIEW

MILLWORK



FRONT VIEW



TOP VIEW



CCC Certified
to GB7000



JA8 Certified
to Title 24
standards

Bold Lighting
4710 Ecton Dr. Unit F & G, Marietta, GA 30066, USA
info@boldlighting.us www.boldlighting.us t: +1-678-903-4061

DELIVERED LUMEN OUTPUT

Output		Watts			CRI +80			CRI +90		
STATIC-WHITE			2700K	3000K	4000K		2700K	3000K	4000K	
L	10.35W		1110lm	1150lm	1180lm		950lm	990lm	1010lm	
M	12W		1470lm	1540lm	1580lm		1270lm	1320lm	1340lm	
H	18W		1840lm	1920lm	1970lm		1580lm	1650lm	1670lm	
V	22.1W						2640lm	2690lm	2690lm	
DIM-TO-WARM							3000K			
3000K-1800K										
L	10W						930lm			
M	12W						1200lm			
H	16W						1330lm			
V	20W						1820lm			
TUNABLE WHITE							2700K-6500K			
2700K-6500K										
L	10W						980lm~1140lm			
M	12W						1140lm~1330lm			
H	18W						1500lm~1760lm			
RGBW							R	G	B	W
L	4W						90lm	560lm	100lm	380lm
TOTAL	16W									



CCC Certified to GB7000



JA8 Certified to Title 24 standards