

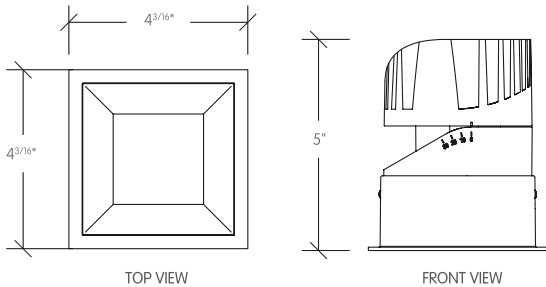


Spec-grade performance LED downlights. Optimal for hospitality, commercial, high-end residential and corporate projects.

The Chameleon S4 downlights offer a high output, precise optics, a wide range of mounting options, reflector finishes, and optical accessories.

- Up to 2,500lm delivered output
- Trim, trimless and millwork mounting options
- High CRI, up to +97 CRI, available upon request
- Dim-to-Warm capability 3000K to 1800K
- Tunable White capability 2700K to 5000K
- Gear driven tilt 0° to 35° and 360° lockable rotation
- Zoomable Lens from 10° to 50°
- 5 years limited warranty
- Wide range of trims and reflectors finishes

Code example: **C4-Z**S1W-L10R-WW-Z827-9-0



Series	Mounting	Trim Color	Output ¹	Voltage	Control
C4-Z	S1 Square Trim	W White	L 10W (1108lm)	1 120V	0 Non-Dim
	S0 Square Trimless	B Black	M 12W (1345lm)		U² Universal 120V to 277V
	S2 Square Trim with Constant Force Spring	S Grey	H 18W (1681lm)	2 0-10 fade-off	
		X Custom	V 22W (2343lm)	D Dali	
	S3 Square Millwork				P Phase ELV & Triac
					L Lutron
					X DMX

Housing	Ref. Color	IP Rating	Optics Type	LED CRI	LED CCT	Emergency	Accessories
R Remodel	W Flat White	D Dry	Z 10°-50°	8 80	27 2700K	N No	0 No Accessories
N Non-IC	B Flat Black	W Wet		9 90	30 3000K		9 90 mins
I³ IC	N Black Nickel		T Thrive	35 3500K		D⁶ Diffuse lens	
A³ Airtight	C Specular Chrome			40 4000K			E⁷ Elliptical Lens
	D Diffuse Chrome			WD⁴ 3000K - 1800K			H Honeycomb Lens
	G Bright Gold			TW⁵ 2700K - 5000K			S Solite Lens
	E Diffuse Gold						
	X Custom						

Notes:

- ¹ Denotes output at 3000K CRI 80, unless otherwise noted.
- ² Not applicable for ELV dimming.
- ³ Chicago Plenum rated.
- ⁴ Dim-to-Warm only available in CRI +90.
- ⁵ Tunable White available in 0-10V, DMX and DALI.
- ⁶ Diffuse lenses available in different angles.
- ⁷ Elliptical lenses available in different angles.

Consult factory for lead-times.
Bold Lighting reserves the right to make technical changes without notice.

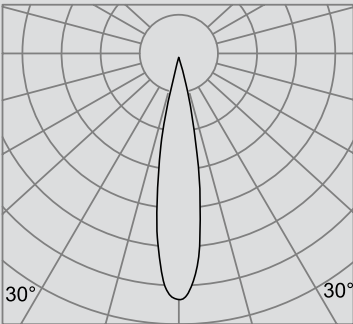


OPTICAL FLEXIBILITY

Photometric data: Type C Polar Curves

Zoomable Distribution 10° - 50°

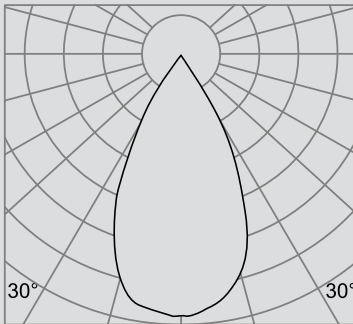
10°



Max. 6,425cd

1,000lm

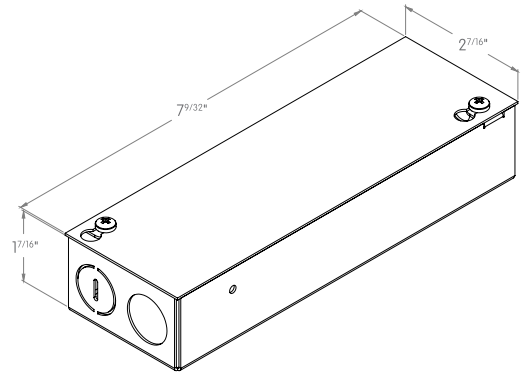
50°



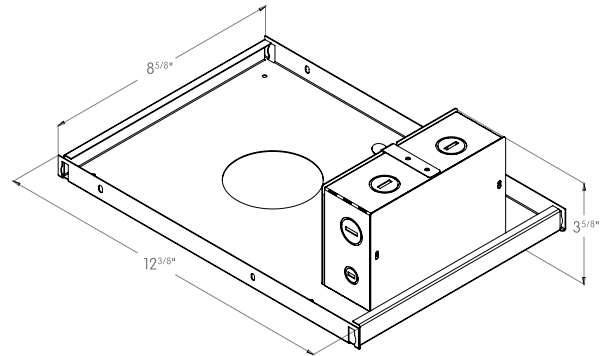
Max. 1,385cd

1,000lm

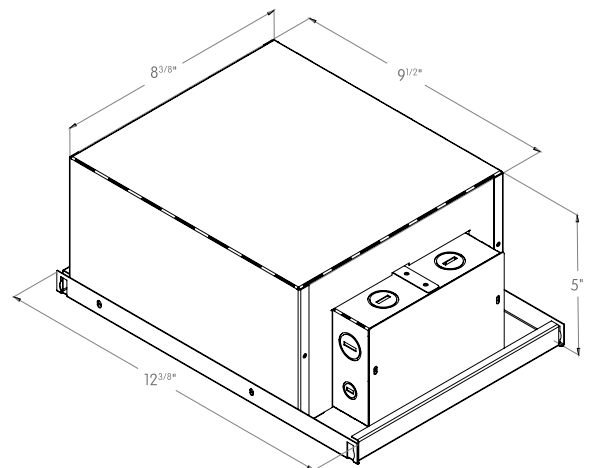
REMODEL HOUSING



NON-IC HOUSING



IC HOUSING & AIRTIGHT



CCC Certified to GB7000

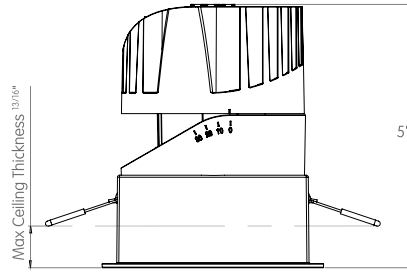


JA8 Certified to Title 24 standards

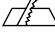
Bold Lighting
4710 Ecton Dr. Unit F & G, Marietta, GA 30066, USA
info@boldlighting.us www.boldlighting.us t: +1-678-903-4061

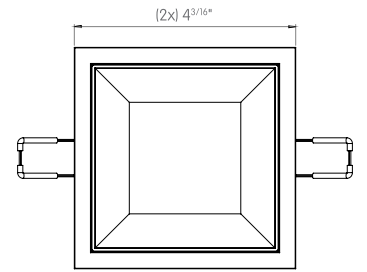
MOUNTING FLEXIBILITY

TRIM TORSION SPRINGS



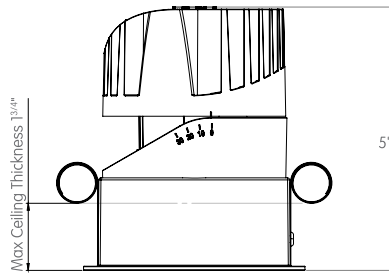
FRONT VIEW

 3^{7/8}" x 3^{7/8}"




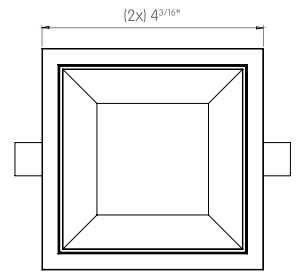
TOP VIEW

TRIM CONSTANT FORCE SPRINGS



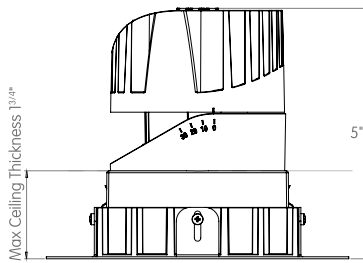
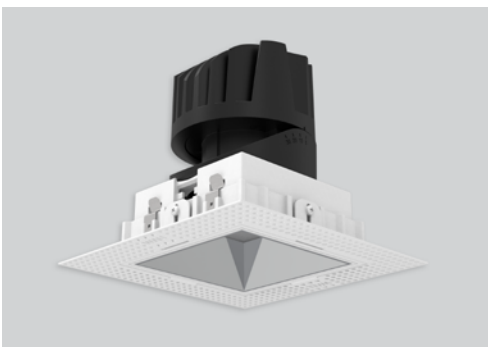
FRONT VIEW

 3^{7/8}" x 3^{7/8}"




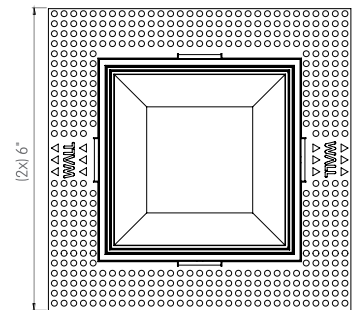
TOP VIEW

TRIMLESS



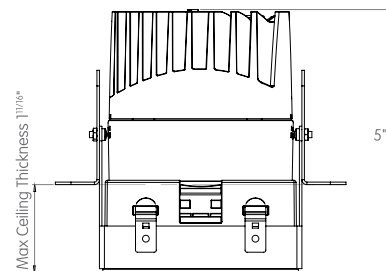
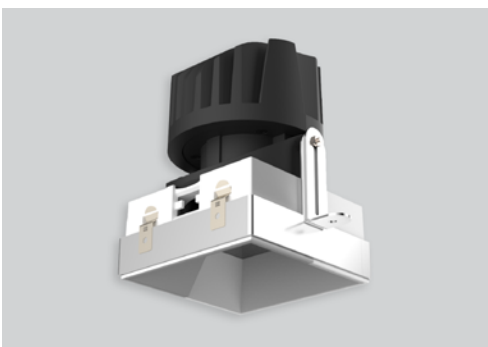
FRONT VIEW

 4^{1/4}" x 4^{1/4}"




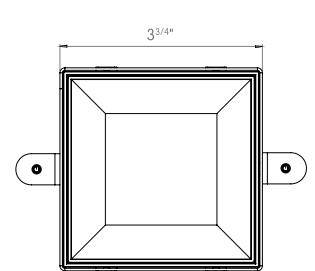
TOP VIEW

MILLWORK



FRONT VIEW

 3^{7/8}" x 3^{7/8}"



TOP VIEW



CCC Certified
to GB7000



JA8 Certified
to Title 24
standards

Bold Lighting
4710 Ecton Dr. Unit F & G, Marietta, GA 30066, USA
info@boldlighting.us www.boldlighting.us t: +1-678-903-4061

DELIVERED LUMEN OUTPUT

Output		Watts	CRI +80			CRI +90		
STATIC-WHITE			2700K	3000K	4000K	2700K	3000K	4000K
L	10.35W		970lm	1010lm	1030lm	830lm	860lm	880lm
M	12W		1280lm	1340lm	1380lm	1110lm	1150lm	1170lm
H	18W		1610lm	1680lm	1720lm	1380lm	1440lm	1460lm
V	22.1W					2300lm	2350lm	2350lm
DIM-TO-WARM						3000K		
3000K-1800K								
L	10W					810lm		
M	12W					1040lm		
H	16W					1160lm		
TUNABLE WHITE						2700K-6500K		
2700K-6500K								
L	10W					850lm~990lm		
M	12W					990lm~1160lm		
H	17W					1140lm~1410lm		



CCC Certified
to GB7000



JA8 Certified
to Title 24
standards

Bold Lighting
4710 Ecton Dr. Unit F & G, Marietta, GA 30066, USA
info@boldlighting.us www.boldlighting.us t: +1-678-903-4061