

specter

SPSS MODULES
BREAK DOT

bold
lighting



BREAK DOT

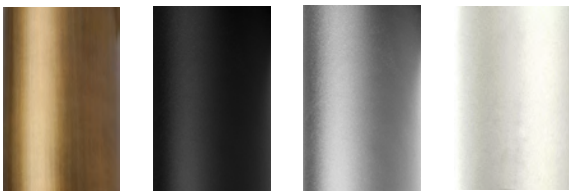
Our Magnetic track system, SPECTER, is a highly configurable, 2 circuits, 24VDC low voltage track system. Thanks to its magnet mounting technology, the modules are inter-changeable instantaneously. Our track is available in ceiling pendant, surface and recessed mounting for both ceiling and walls. SPECTER track is also available with an optional linear uplight feature. The BREAK module offers a wide range of optics along with a tilt up to 90° allowing the illumination of both horizontal or vertical planes.

- Up to 1,800lm delivered output
- Available in 3 sizes, 3", 6" and 12"
- Adjustable tilt to 90°
- Available in Low glare baffles and Opal lens
- 3 beam options, narrow, medium and wide
- Fixtures designed to mount in SPECTER track
- For fixture dimming refer to track driver specifications¹
- Available in 4 standard finishes: Black, white, silver and bronze

Notes: ¹ Dimming options, 0-10V, ELV and DALI

Code example: **SPSF-B**03W-W-N827-2

STANDARD FINISHES



Z

B

S

W

DELIVERED LUMEN OUTPUT

Length	Watts	CRI +80				CRI +90			
		2700K	3000K	3500K	4000K	2700K	3000K	3500K	4000K
3"	4W	405lm	450lm	495lm	544lm	326lm	363lm	399lm	439lm
6"	8W	668lm	743lm	817lm	899lm	539lm	599lm	659lm	725lm
12"	16W	1413lm	1570lm	1727lm	1900lm	1139lm	1266lm	1393lm	1532lm

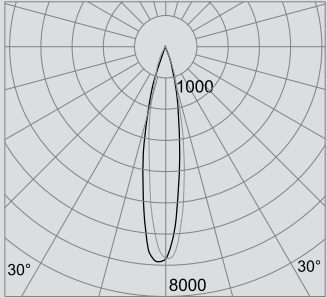
Series	Length		Body Finish		Baffle Finish		Beam Angle		CRI		Color Temp		Circuit		
SPSF-B	03	3"	W	White	W	White	N	12°	8	+80	27	2700K	1	1-Circuit	
	06	6"	B	Black	B	Black	M	24°	9	+90	30	3000K	2	2-Circuit	
	12	12"	S	Silver	S	Silver	F	36°				35	3500K		
			Z	Bronze	Z	Bronze						40	4000K		
			X	Custom	X	Custom									



Bold Lighting
4710 Ecton Dr., Marietta, GA 30066, USA
info@boldlighting.us www.boldlighting.us
t: +1-678-903-4061

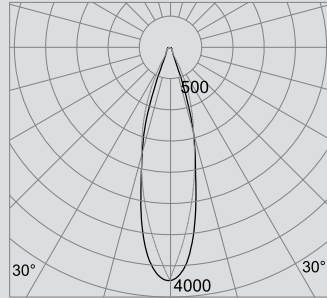
Photometric data: Type C Polar Curves

12° Beam Angle



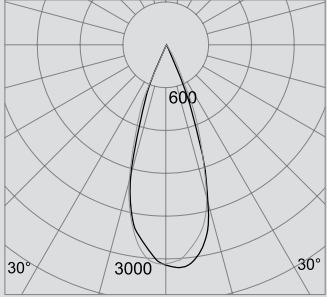
Max. 6,987 cd 1,000 lm

24° Beam Angle



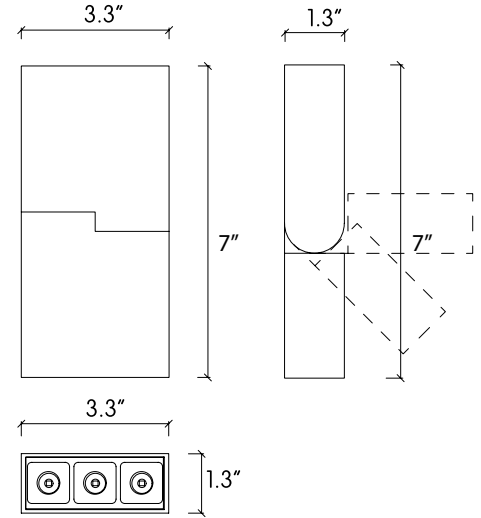
Max. 3,550 cd 1,000 lm

36° Beam Angle

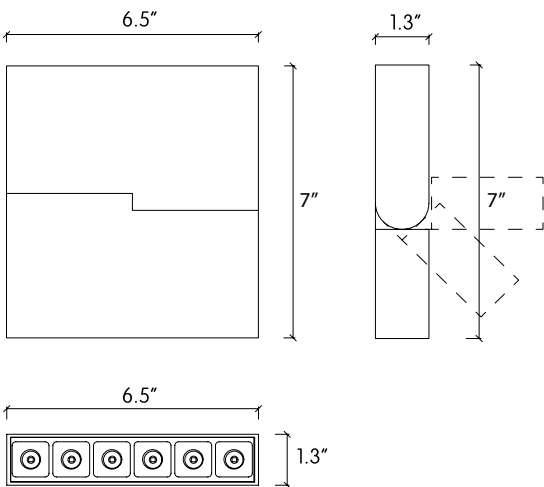


Max. 3,040 cd 1,000 lm

BREAK 3



BREAK 6



BREAK 12

