

# CALIBER

WALLGRAZER / WALLWASHER / INDIRECT LIGHTING

**bold**  
lighting



Caliber is an innovative approach to linear lighting that combines a small form factor with powerful performance and flexibility in both mounting, adjustability, and light control.

The fixture can adjust up to 90° for precise aiming and can be specified with an adjustable glare-shield for added control of the output and beam spread. Caliber's flexibility makes it ideal for grazing, wallwashing, and performance indirect lighting.

Series	Mounting	Nominal Length	Body Finish
<b>BCW</b>	<b>SM</b> Surface Mounted	<b>12</b> 12"	<b>W</b> White
	<b>C1</b> 2" Cantilever	<b>24</b> 24"	<b>B</b> Black
	<b>C2</b> 6" Cantilever	<b>36</b> 36"	<b>G</b> Grey
	<b>C3</b> 12" Cantilever	<b>48</b> 48"	<b>X</b> Custom RAL
	<b>C4</b> 18" Cantilever		
	<b>C5</b> 24" Cantilever		

For exact lengths refer to dimensions table.

## CONSTRUCTION

**Product Type :** Linear  
**Body Material :** Extruded Aluminum  
**Body Finish :** Black / Grey / White  
 Custom RAL  
**IP Rating :** IP65  
**IK Rating :** IK6

## LIGHT SOURCE

**Direct Light Source :** High-power LEDs  
**Luminous Output :** from 375lm/ft. to 1950lm/ft. (Delivered)<sup>2</sup>  
**Light Source CCT :** 2700K / 3000K  
 3500K / 4000K  
 Tunable White (2700K-5000K)  
 Dim-to-Warm (3000K-1800K) / RGBW  
**Color Rendering Index :** Ra80 / Ra90

## INSTALLATION

**Environment :** Indoor/Outdoor  
**Mounting :** Surface Mounted  
**Ta :** 120°F

## OPTICS

**Optical Distribution :** 8° / 15° / 34° / 60°  
 Elliptical (15°x25°) (10°x60°) (30°x60°)

\* Additional optics available upon request.

## ELECTRICAL

**Input Voltage :** 120V / UNV 120-277V  
 50Hz/60Hz  
**Load :** 4W/ft. to 22W/ft.  
**Output Type :** Constant Current  
**Driver Type :** Integral  
**Dimming :** 0-10V / DALI / ELV / DMX  
 Non-Dim

Code example: **BCW-SM12B-X-VUC-N-M827-X**

Glare Shield	Output	Voltage	Dimming	Baffles	Optics	CRI	Color Temp	Accessories
<b>G<sup>1</sup></b> Glare Shield	<b>L<sup>2</sup></b> 375lm/ft (4W)	<b>1</b> 120V	<b>A</b> No Dimming	<b>W</b> Flat White	<b>S</b> 8°	<b>8</b> +80	<b>27</b> 2700K	<b>X</b> No Accessories
<b>X</b> No Glare Shield	<b>M<sup>3</sup></b> 900lm/ft (9W)	<b>U</b> 120 - 277V Universal	<b>B</b> 0-10V to 1%	<b>B</b> Flat Black	<b>M</b> 15°	<b>9</b> +90	<b>30</b> 3000K	
	<b>H<sup>4</sup></b> 1350lm/ft (15W)		<b>C</b> 0-10V to Fade-off	<b>N</b> Black Nickel	<b>F</b> 34°		<b>35</b> 3500K	
	<b>V<sup>5</sup></b> 1950lm/ft (22W)		<b>D</b> DALI to 1%	<b>C</b> Specular Chrome	<b>W</b> 60°		<b>40</b> 4000K	
	<b>D<sup>6</sup></b> 816lm/ft (9W)		<b>E<sup>6</sup></b> ELV Dimming	<b>G</b> Bright Gold	<b>E</b> 10°x 28°		<b>WD<sup>7</sup></b> 3000K - 1800K	
	<b>W<sup>3</sup></b> 1768lm/ft (18W)		<b>F</b> DMX	<b>S</b> Diffuse Gold	<b>K</b> 10°x 36°		<b>TW</b> 2700K - 5000K	
	<b>U<sup>4</sup></b> 1428lm/ft (12W)			<b>X</b> Custom			<b>CC<sup>8</sup></b> RGBW	
	<b>A<sup>4</sup></b> 2570lm/ft (22W)							
	<b>C<sup>5</sup></b> 895lm/ft (22W)							

### Notes:

- The lumen values will be 50% lower in the fully shield-covered position.
- Denotes static white (L)(M)(H)(V) output at 3000K, +80CRI, without glare shield.
- Denotes warm dim (D)(W) output at 3000K, +90 CRI, without glare shield.
- Denotes tunable white (U)(A) output at 2700K, +80 CRI, without glare shield.
- Denotes RGBW (C) output with all colors at full power.
- Not available with UNV voltage.
- Not available with +80 CRI.
- Only available with DMX dimming.

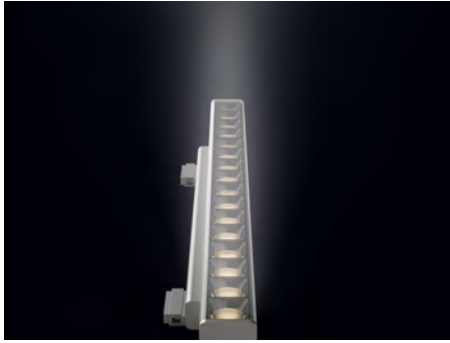
Consult factory for lead-times.  
 Consult factory for systems using multiple optics and mounting configurations.



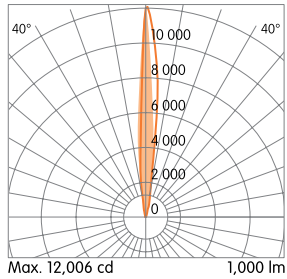
**Bold Lighting**  
 4710 Ecton Dr., Marietta, GA 30066, USA  
 info@boldlighting.us www.boldlighting.us  
 t: +1-678-903-4061

# OPTICAL FLEXIBILITY

## VERY NARROW DISTRIBUTION

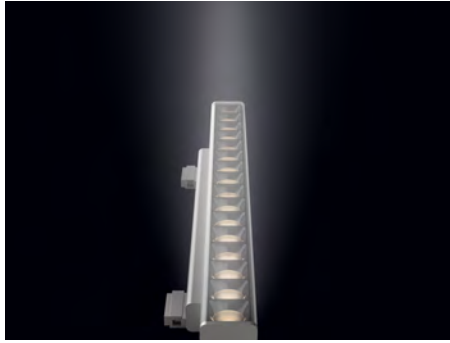


8° Beam Angle

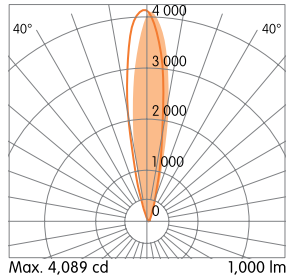


A very narrow 8° beam is ideal for illuminating tall vertical surfaces where an emphasis on texture and drama is desired.

## NARROW DISTRIBUTION

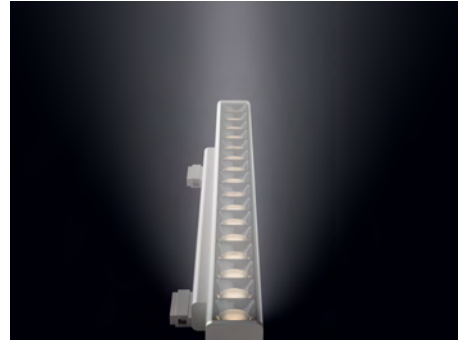


15° Beam Angle

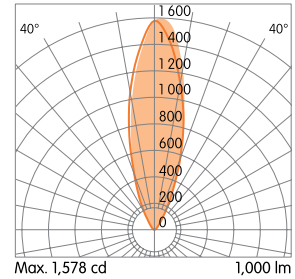


The narrow 15° beam is a versatile distribution used in a wide range of applications and is ideal for high ceilings and illuminating tall vertical surfaces.

## FLOOD DISTRIBUTION



34° Beam Angle

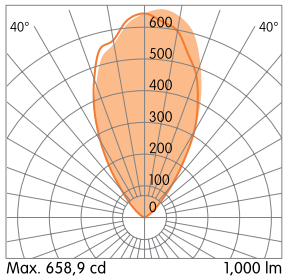


A 34° flood beam is an optimal option for achieving efficient ambient lighting and is a balance between light punch and ambient uniformity.

## WIDE BEAM DISTRIBUTION



60° Beam Angle

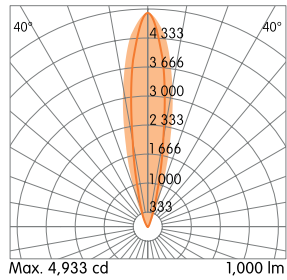


The 60° wide beam is an optimal distribution for general lighting with low glare.

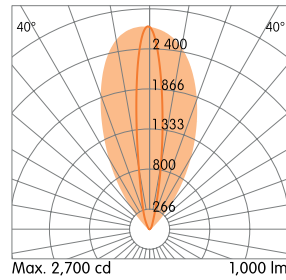
## ELLIPTICAL BEAM DISTRIBUTION



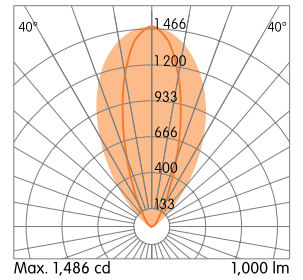
15°x25° Beam Angle



10°x60° Beam Angle



30°x60° Beam Angle

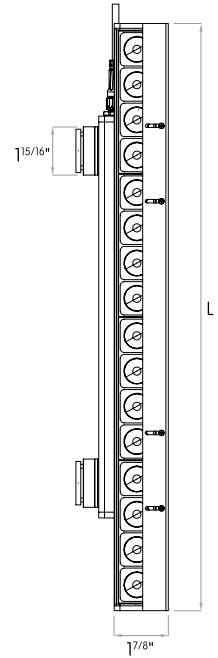
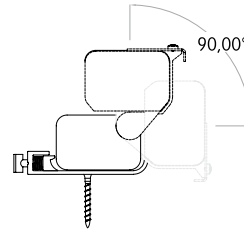
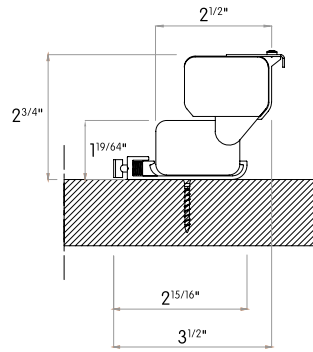


Elliptical distributions can be used anywhere focused illumination is needed and are ideal for lighting multiple textures on vertical surfaces.

\* Additional optics available upon request.

## MOUNTING FLEXIBILITY

### CALIBER WITH SURFACE MOUNTED BRACKETS



L = 12 1/8" | 23 15/16" | 35 3/4" | 47 9/16" |

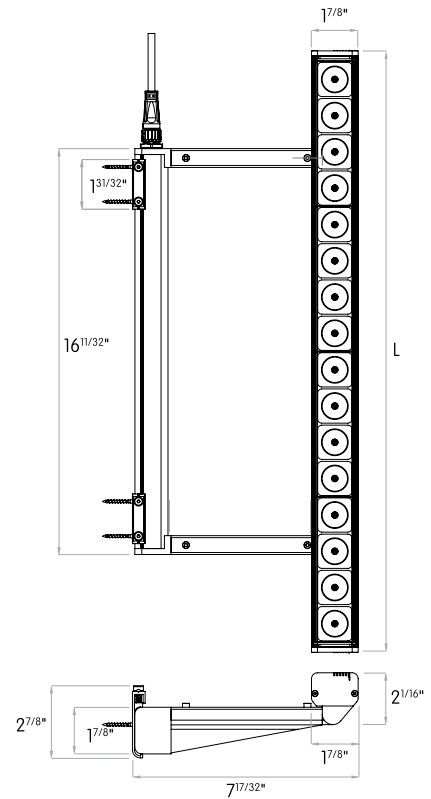
### CALIBER WITH CANTILEVER



Cantilever Arms

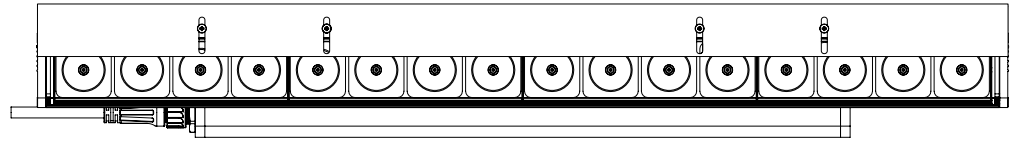
2" | 6" | 12" | 18" | 24"

L = 12 1/8" | 23 15/16" | 35 3/4" | 47 9/16"

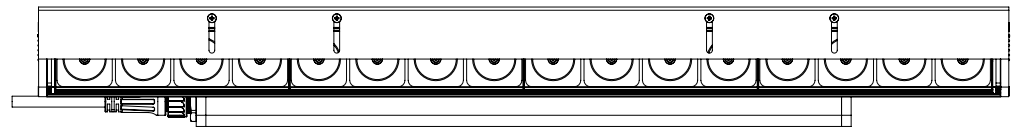
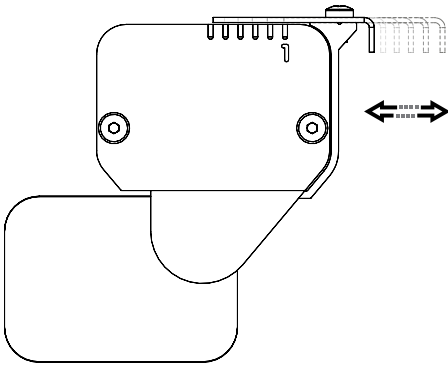


# GLARE SHIELD & TILTABILITY

## SLIDING GLARE SHIELD

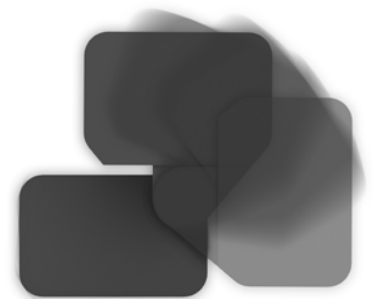
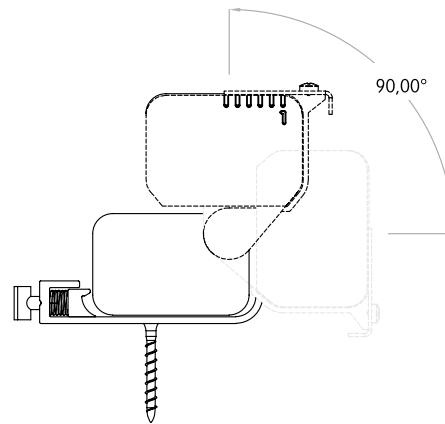
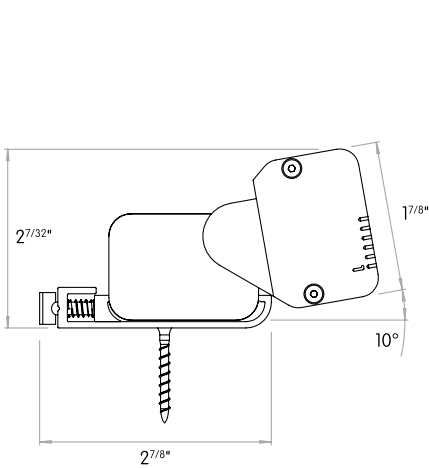


Glare Shield at 25% open position



Glare Shield at maximum closed position

## TILT FROM 0 TO 90°



## DELIVERED LUMEN OUTPUT

Output		CRI +80				CRI +90			
<b>STATIC-WHITE</b>		<b>2700K</b>	<b>3000K</b>	<b>3500K</b>	<b>4000K</b>	<b>2700K</b>	<b>3000K</b>	<b>3500K</b>	<b>4000K</b>
<b>L</b>	4W	375lm	408lm	435lm	510lm	344lm	374lm	374lm	442lm
<b>M</b>	9W	900lm	979lm	1054lm	1224lm	826lm	898lm	898lm	1061lm
<b>H</b>	15W	1350lm	1469lm	1578lm	1836lm	1238lm	1346lm	1346lm	1591lm
<b>V</b>	22W	1950lm	2122lm	2285lm	2652lm	1789lm	1945lm	1945lm	2298lm
<b>DIM-TO-WARM 3000K-1800K</b>		<b>Not Available in +80 CRI</b>				<b>3000K</b>			
<b>D</b>	9W					816lm			
<b>W</b>	18W					1768lm			
<b>TUNABLE WHITE 2700K-5000K</b>		<b>2700K</b>			<b>5000K</b>	<b>2700K</b>			<b>5000K</b>
<b>U</b>	12W	1428lm			1659lm	1224lm			1428lm
<b>A</b>	22W	2570lm			2992lm	2203lm			2570lm
<b>RGBW</b>						<b>R</b>	<b>G</b>	<b>B</b>	<b>W</b>
<b>TOTAL</b>	22W					(4W) 120lm	(6W) 350lm	(6W) 110lm	(6W) 315lm

## DIMENSION TABLE

		12"		24"		36"		48"				
		Height		Width		Actual Length		Actual Length		Actual Length		
Fixture dimensions	mm	inch	mm	inch	mm	inch	mm	inch	mm	inch	mm	inch
		70	2 3/4	47	1 7/8	308	12 1/8	608	23 15/16	908	35 3/4	1208

