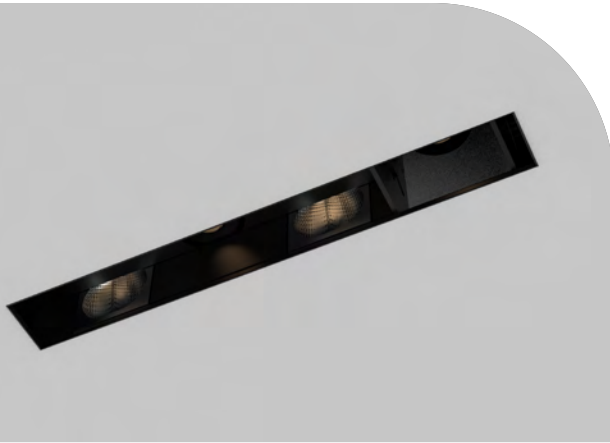


ghost

INTANGIBLE PRESENCE

by

bold



Ghost is a unique optical lighting system designed to disappear in a narrow 1" slot. The optics are deeply regressed to give the impression of a slim void and the mud flange provides a trimless integration in gypsum ceilings, also available with trim option. Ghost relies on indirect light reflectors and double focus lens technology to achieve glare-free optics. It offers an infinite number of optical iterations allowing transitions from a fixed downlight to an adjustable downlight, to a single wallwash and even to a double wallwash. All these optics are integrated into a compact slot for an outstanding quiet lighting effect.

- Discreet and regressed source of light
- UGR <10
- Multi-Optics configurations
- Fixed Downlight, Wallwash, and Adjustable Accent from a 30mm Slot
- Unobstructed complete beams even with 40° tilt

Series	Mounting	Nominal Length ¹	Body Finish	Wallwash ²	Wallwash Output	Downlight Options	Downlight Output	Beam Angle
GI	R Recessed with Trim	06 6"	W White	W0 No Washer 0 per module	L 4W	0 0 per module	L 4W	S 24°
	T Recessed Trimless	12 12"	B Black	W2 Wallwash One side	M 8W	1 1 per module	M 8W	M 36°
			G Grey	W4 Wallwash Both sides	X N/A	2 2 per module	H N/A	X N/A
			X Custom RAL			3 3 per module		
						4 4 per module		

PRODUCT CONFIGURATION : **GI-R06W-W2L-1LS-1LS-1A-827-0**

<input type="text"/>	<input type="text"/>	<input type="text"/>	<input type="text"/>	<input type="text"/>	<input type="text"/>	<input type="text"/>	<input type="text"/>
----------------------	----------------------	----------------------	----------------------	----------------------	----------------------	----------------------	----------------------

Adjustable Options	Adjustable Output	Beam Angle	Voltage	Dimming	CRI	Color Temp	Emergency
0 0 per module	L 4W	S 24°	1 120V	A No Dimming	8 +80	27 2700K	0 no
1 1 per module	M 8W	M 36°	U³ Universal 120V to 277V	B 0-10V to 1%	9 +90	30 3000K	9 90 mins
2 2 per module	X N/A	X N/A		C 0-10V to Fade-off		35 3500K	
3 3 per module				D DALI to 1%		40 4000K	
				E ELV Dimming			
				F DMX			
				G⁴ LUTRON			

PRODUCT CONFIGURATION : **GI-R06W-W2L-1LS-1LS-1A-827-0**

<input type="text"/>	<input type="text"/>	<input type="text"/>	<input type="text"/>	<input type="text"/>	<input type="text"/>	<input type="text"/>	<input type="text"/>
----------------------	----------------------	----------------------	----------------------	----------------------	----------------------	----------------------	----------------------

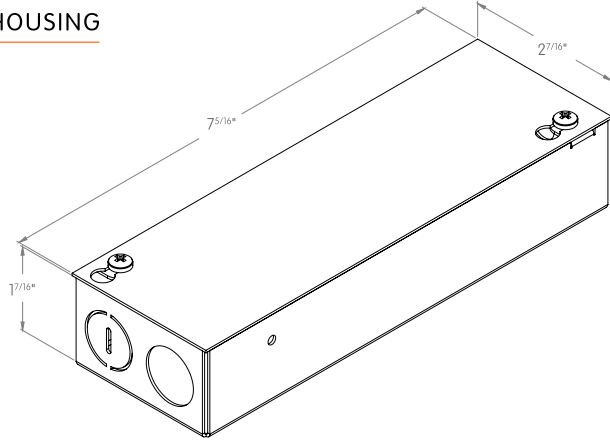
Notes:

- ¹ For exact lengths refer to dimensions table.
- ² Double the output for the both sides case.
- ³ Not applicable for ELV dimming.
- ⁴ Hi-lume 1% EcoSystem Soft-on, Fade-to-Black dimming.

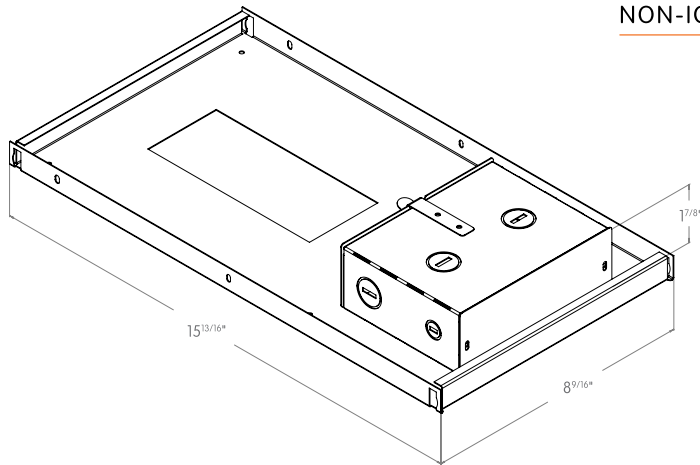
Consult factory for lead-times.
Consult factory for systems using multiple optics and mounting configurations.



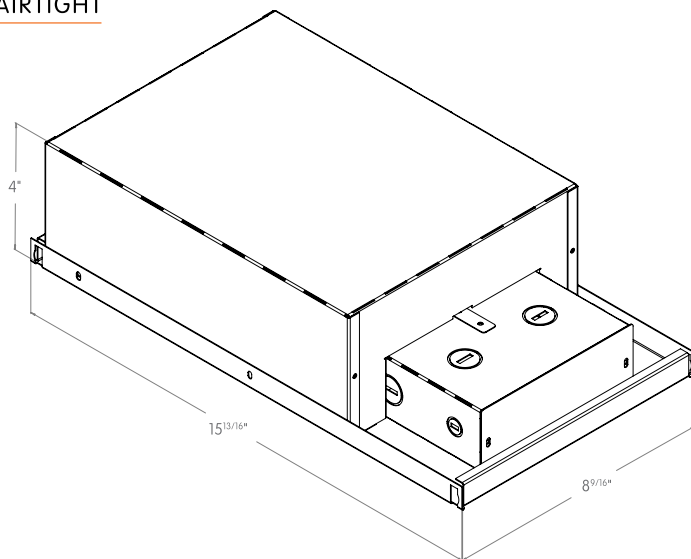
REMODEL HOUSING



NON-IC HOUSING



IC HOUSING & AIRTIGHT



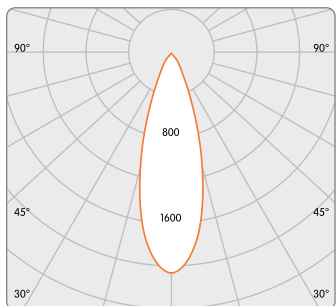
OPTICAL FLEXIBILITY

Photometric data: Fixed and Adjustable Polar Curves

GHOST MEDIUM BEAM



Medium 24°



Max. 2,055 cd

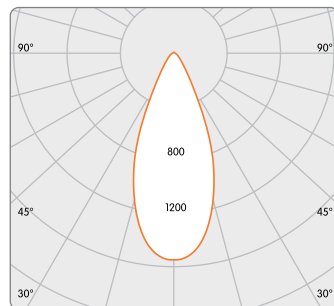
870 lm

The 24° medium beam is a versatile distribution that works in a wide range of applications and spaces. This optic is a nice balance between light punch and ambient uniformity.

GHOST FLOOD BEAM



Flood 36°



Max. 1,530 cd

870 lm

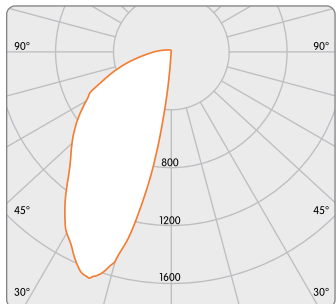
A 36° flood beam is the optimal option for achieving efficient ambient lighting with excellent uniformity and very low glare.

Photometric data: Wallwash Polar Curve

GHOST ONE SIDE WALLWASH



One side Wallwash



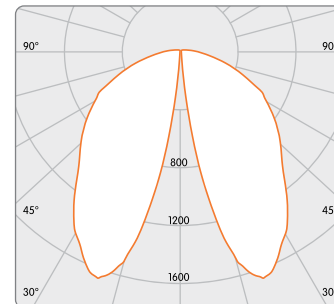
Max. 1,657 cd

500 lm

GHOST DOUBLE SIDE WALLWASH



Double side Wallwash



Max. 1,657 cd

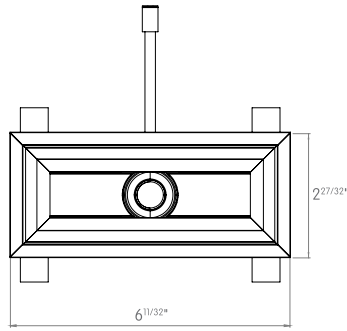
500 lm

Billet wallwash provides even illumination of vertical surfaces. This optic is ideal for washing large areas where exceptional uniformity is required.

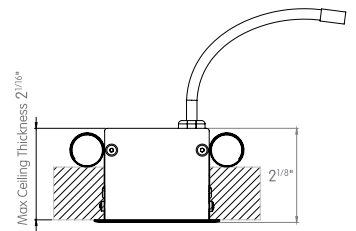


MOUNTING FLEXIBILITY

FIXED WITH TRIM

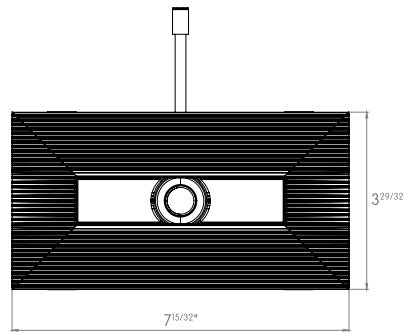


TOP VIEW

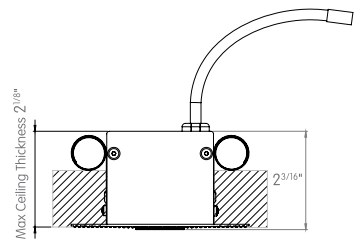


FRONT VIEW

FIXED TRIMLESS

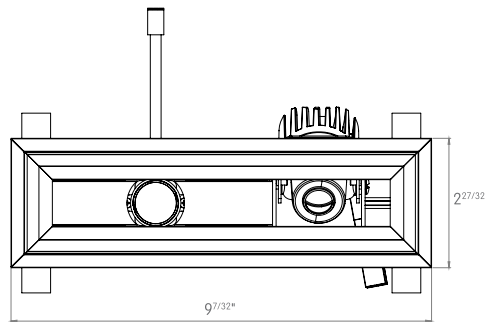


TOP VIEW

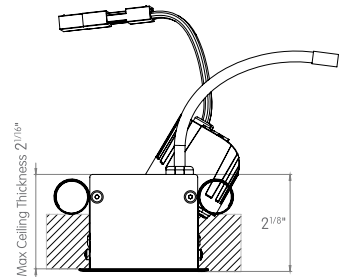


FRONT VIEW

ADJUSTABLE WITH TRIM

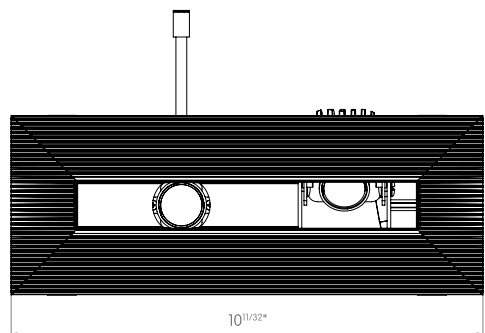


TOP VIEW

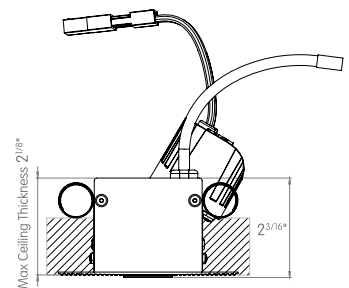


FRONT VIEW

ADJUSTABLE TRIMLESS



TOP VIEW



FRONT VIEW



DELIVERED LUMEN OUTPUT

Output	Watts	CRI +80				CRI +90			
		2700K	3000K	3500K	4000K	2700K	3000K	3500K	4000K
APPLICATION	4W	2700K	3000K	3500K	4000K	2700K	3000K	3500K	4000K
Wallwash	4W	373lm	384lm	401lm	411lm	308lm	318lm	332lm	341lm
Fixed Downlight	4W	390lm	404lm	421lm	847lm	324lm	335lm	348lm	361lm
Adjustable Downlight	4W	390lm	404lm	421lm	847lm	324lm	335lm	348lm	361lm
	8W	2700K	3000K	3500K	4000K	2700K	3000K	3500K	4000K
Wallwash	8W	704lm	724lm	756lm	776lm	582lm	600lm	627lm	643lm
Fixed Downlight	8W	757lm	785lm	818lm	847lm	630lm	650lm	676lm	700lm
Adjustable Downlight	8W	757lm	785lm	818lm	847lm	630lm	650lm	676lm	700lm

Wallwash and Downlight Isolux

