

BILLET

HONEYCOMB - WET LOCATION

bold
lighting



The Billet family of products allows you to achieve uniformity throughout indoor and outdoor spaces while maintaining the same optical performance, light consistency, and overall aesthetics.

The Billet Honeycomb was designed to provide bold illumination and a decorative aesthetic while maintaining minimal glare. Like all Bold products, the Billet confidently delivers a flawless light distribution and a beautifully finished product.

CONSTRUCTION

Product Type : Linear
Body Material : Extruded Aluminum
Body Finish : Black / Grey / White Custom RAL
IP Rating : IP67 Inground
 IP66 Ceiling Recessed
IK Rating : IK10

LIGHT SOURCE

Direct Light Source : Mid-Power LEDs
Luminous Output : from 250lm/ft. to 1000lm/ft. (Delivered)
Light Source CCT : 2700K / 3000K
 3500K / 4000K / Tunable White (2700K-5000K) / Dim-to-Warm (3000K-1800K) / RGBW
Color Rendering Index : Ra80 / Ra90

INSTALLATION

Environment : Wet Location
Mounting : Inground / Ceiling Recessed (Trim & Trimless) / Wall Recessed (Trim & Trimless)
 Surface Mounted / Pendant

ELECTRICAL

Input Voltage : 120V / UNV 120-277V - 50Hz/60Hz
Load : 4W/ft. to 19W/ft.
Output Type : Constant Current
Driver Type : Integral
Dimming : 0-10V / DALI / ELV / DMX / Lutron Hi-Lume

OPTICS

Optical Distribution : Lambertian
Glare Control : UGR<19 *Honeycomb*

Code example: **BHO** - P12W - L1B - W - L827 - 0

Series	Mounting	Nominal Length
BHO	R Recessed with Trim	12 12"
	T Recessed Trimless	24 24"
	S Surface Mounted	36 36"
	P Pendant	48 48"
	I Inground	60 60"
	XX Custom in	
	LX Elbow	

For exact lengths refer to dimensions table.

Body Finish	Output ¹	Voltage	Dimming	Baffles	Beam Angle	CRI	Color Temp	Emergency
W White	L 250lm/ft (4W)	1 120V	A No Dimming	W Flat White	L Opal	8 +80	27 2700K	0 no
B Black	M 480lm/ft (9W)	U ² Universal 120V to 277V	B 0-10V to 1%	B Flat Black		9 +90	30 3000K	9 90 mins
G Grey	H 850lm/ft (15W)		C 0-10V to Fade-off	N Black Nickel		35 3500K		
X Custom RAL	V 1000lm/ft (19W)		D DALI to 1%	C Specular Chrome		40 4000K		
			E ELV Dimming	G Bright Gold		WD ⁴ 3000K-1800K		
		F DMX	E Diffuse Gold		TW ⁵ 2700K - 5000K			
			G ³ LUTRON	X Custom				

Notes:

- ¹ Denotes output at 3000K, unless otherwise noted.
- ² Not applicable for ELV dimming.
- ³ Hi-Lume 1% EcoSystem Soft-on, Fade-to-Black dimming.
- ⁴ Denotes output specific to Dim-to-Warm at 3000K.
- ⁵ Denotes output specific to Tunable White at full on.

Consult factory for lead-times.
 Consult factory for systems using multiple optics and mounting configurations.



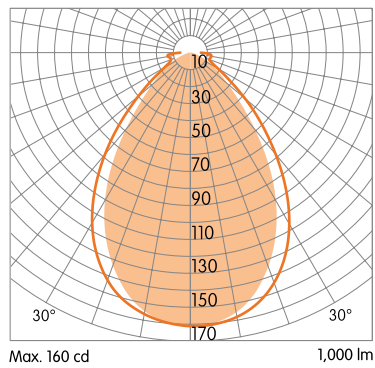
Bold Lighting
 4710 Ecton Dr., Marietta, GA 30066, USA
 info@boldlighting.us www.boldlighting.us
 t: +1-678-903-4061

LAMBERTIAN DISTRIBUTION



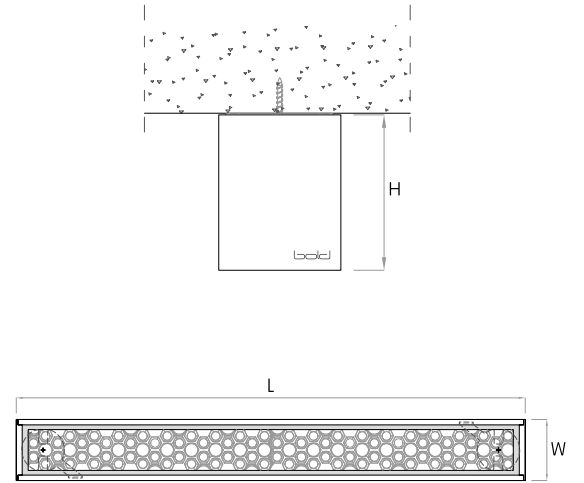
The Lambertian curve is the most versatile distribution for general lighting. It offers a soft and even illumination on both horizontal and vertical surfaces.

80° Beam Angle (Lambertian)



MOUNTING FLEXIBILITY

SURFACE MOUNTED



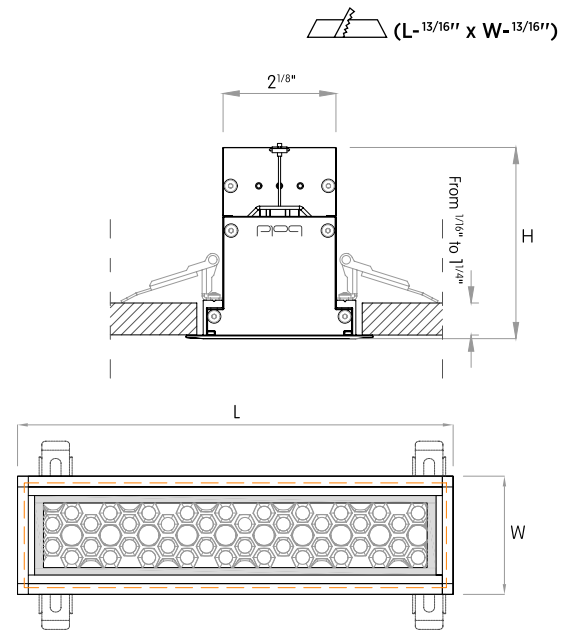
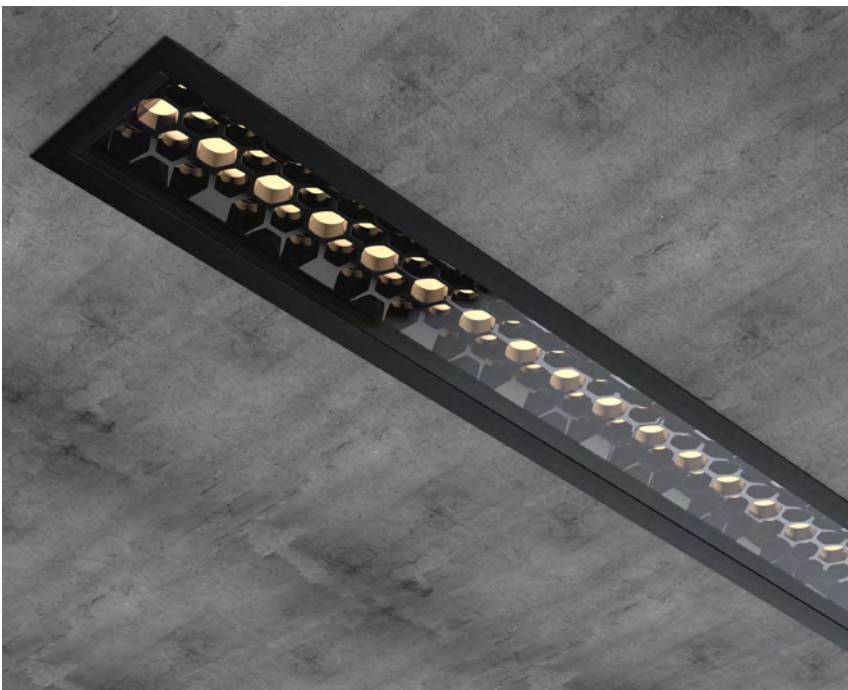
Actual

L= 23⁹/₁₆" | 34⁷/₈" | 46³/₁₆" | 57¹/₂" | Continuous runs

W= 2¹³/₁₆"

H= 3⁹/₁₆"

RECESSED WITH TRIM



Actual

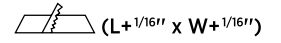
L= 12³/₄" | 24" | 35³/₈" | 46¹¹/₁₆" | 57¹⁵/₁₆" | Continuous runs

W= 3⁷/₁₆"

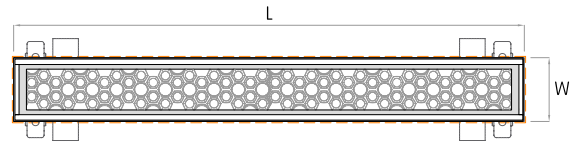
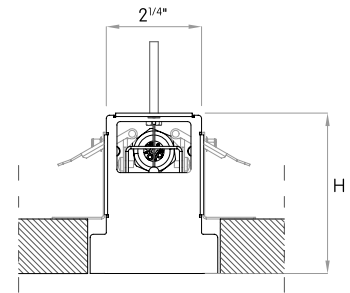
H= 3⁹/₁₆"



MOUNTING FLEXIBILITY

 $(L+1/16'' \times W+1/16'')$

RECESSED TRIMLESS



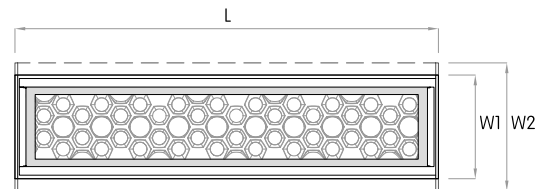
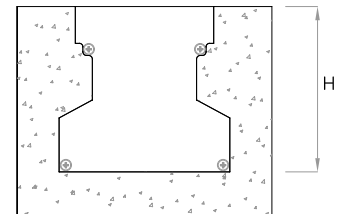
Actual

L= 23^{11/16}\"

W= 2^{5/16}\"

H= 3^{11/16}\"

INGROUND



Actual

L= 12^{3/8}\"

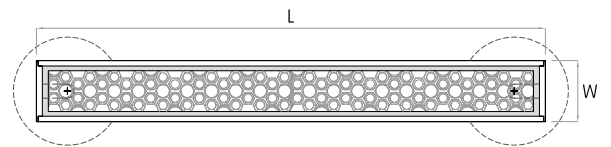
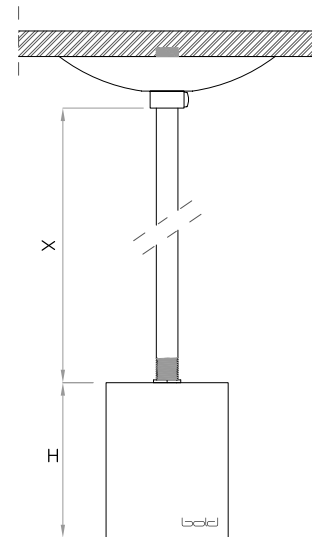
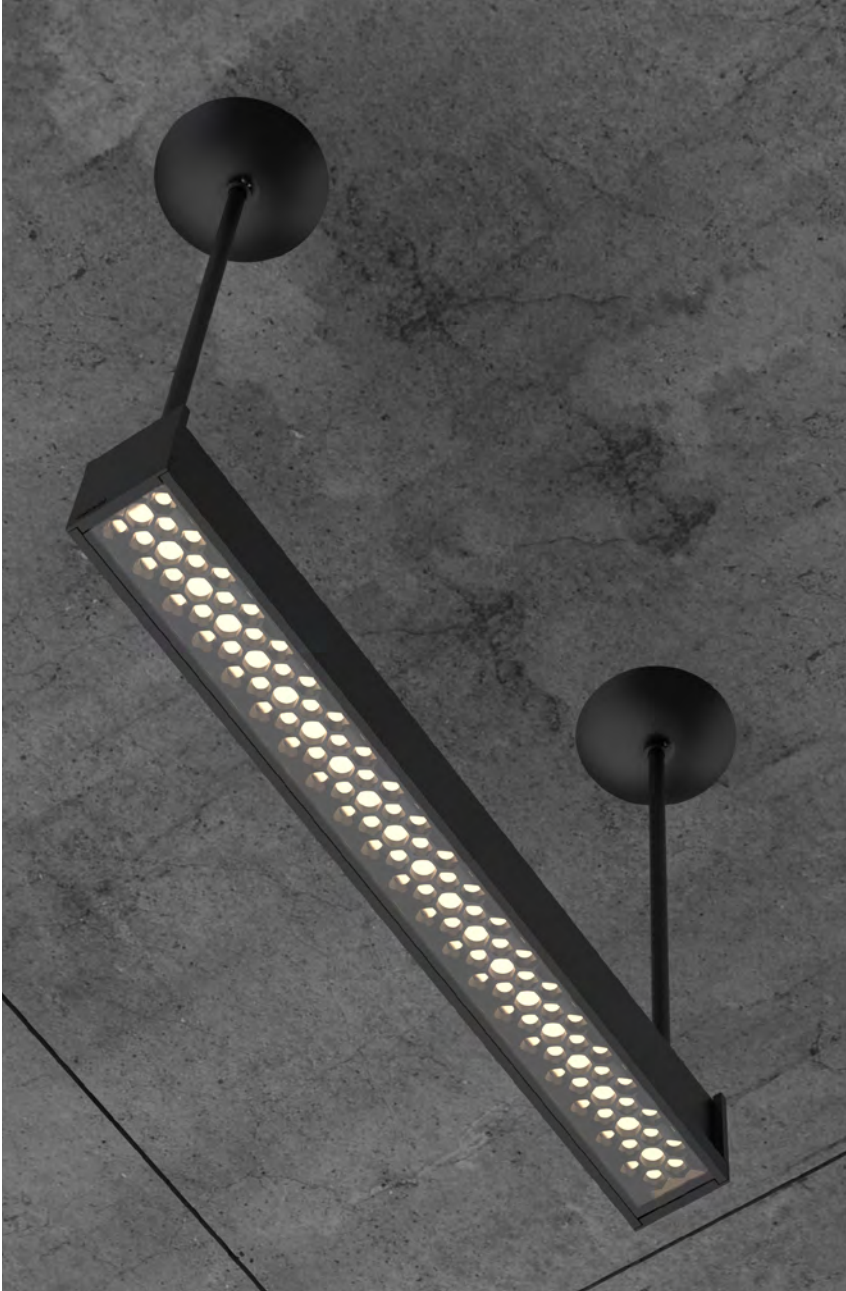
W1= 3\"

H= 3^{5/8}\"



MOUNTING FLEXIBILITY

PENDANT



Actual

L= 23⁹/₁₆" | 34⁷/₈" | 46³/₁₆" | 57¹/₂" | Continuous runs

W= 2¹³/₁₆"

H= 3⁹/₁₆"

X= 59"



DELIVERED LUMEN OUTPUT

Output		Watts			CRI +80			CRI +90		
STATIC-WHITE			2700K	3000K	4000K		2700K	3000K	4000K	
L	4W		240lm	250lm	270lm		200lm	210lm	220lm	
M	9W		460lm	480lm	520lm		380lm	400lm	420lm	
H	15W		810lm	850lm	920lm		670lm	710lm	740lm	
V	19W		960lm	1000lm	1080lm		790lm	830lm	880lm	
DIM-TO-WARM 3000K-1800K								3000K		
D	9W							550lm		
W	18W							1050lm		
TUNABLE WHITE 2700K-5000K			2700K		5000K		2700K		5000K	
U	12W		550lm		620lm		450lm		500lm	
A	22W		1040lm		1180lm		860lm		950lm	
RGBW							R	G	B	W
TOTAL	47.5W						(9W) 135lm	(13.5W) 402lm	(13W) 127lm	(12W) 359lm

DIMENSIONS TABLE

		12"		24"		36"		48"		60"				
Height		Width		Actual Length		Actual Length		Actual Length		Actual Length				
	mm	Inch	mm	Inch	mm	Inch	mm	Inch	mm	Inch	mm	Inch		
Surface Mounted	91	3 9/16	72	2 13/16			599	23 9/16	886	34 7/8	1173	46 3/16	1460	57 1/2
Recessed with Trim	91	3 9/16	88	3 7/16	324	12 3/4	611	24	898	35 3/8	1185	46 11/16	1472	57 15/16
Recessed Trimless	93	3 11/16	75	2 15/16			601	23 11/16	888	35	1175	46 5/16	1462	57 9/16
Pendant	91	3 9/16	72	2 13/16			599	23 9/16	886	34 7/8	1173	46 3/16	1460	57 1/2
Inground (with housing)	92	3 5/8	95	3 3/4	314	12 3/8	601	23 11/16	888	35	1175	46 5/16	1462	57 9/16

