

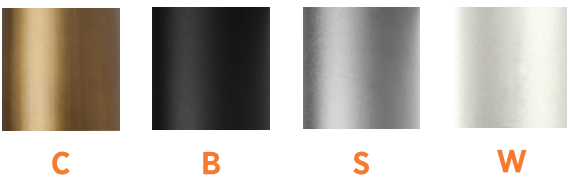
Eclipse is an adjustable, indirect illumination downlight; The hidden source is located in the static blade, shining up on the reflector, while the reflector travels in an orbital movement around the center of the fixture to allow a maximum vertical and horizontal beam tilt and adjustability. Its precise optics allow an outstanding beam control and a quiet transition between horizontal and vertical illumination. It is the ideal solution for applications requiring a hidden light source along with precise optics and extreme adjustability up to 45° in tilt and 360° of beam rotation.

- Up to 1,500lm delivered output
- Completely glare free 100% reflected light
- Available in recessed with trim & trimless, semi-recessed, pendant, millwork and surface mounted
- Adjustable beam tilt up to 45° in any direction (360°)
- Adjustable beam spread from 15° to 35°
- Available in 4 standard finishes: Black, white, silver and bronze
- Each reflector can be adjusted independently



reddot winner 2021

## STANDARD FINISHES



## DELIVERED LUMEN OUTPUT PER CELL

|          | Output | Watts | CRI +80 |       |         | CRI +90 |       |         |
|----------|--------|-------|---------|-------|---------|---------|-------|---------|
|          |        |       | 2700K   | 3000K | 4000K   | 2700K   | 3000K | 4000K   |
| <b>L</b> |        | 4W    | 264lm   | 264lm | 285lm   | 228lm   | 228lm | 246lm   |
| <b>M</b> |        | 6W    | 330lm   | 330lm | 355.8lm | 285lm   | 285lm | 307.2lm |
| <b>H</b> |        | 8W    | 462lm   | 462lm | 498lm   | 399lm   | 399lm | 430.2lm |

Code example: **E3**-RW-L11R-N827-9

| Series    | Mounting                    | Finish              | Output <sup>1</sup> | Voltage                                     | Dimming  | Housing                               | Beam                                       | CRI                          | CCT.            | Emergency                       |
|-----------|-----------------------------|---------------------|---------------------|---|--|---------------------------------------|--|------------------------------|-----------------|---------------------------------|
| <b>E3</b> | <b>R</b> Recessed with Trim | <b>W</b> Flat White | <b>L</b> 264lm (4W) | <b>1</b> 120V                               | <b>0</b> Non-Dim<br><b>1</b> 0-10V to 5%<br><b>2</b> 0-10V to 0.1%<br><b>P</b> ELV Dimming | <b>A<sup>2</sup></b> Airtight Housing | <b>N</b> 15° to 35°<br><b>F</b> 35° to 50° | <b>8</b> +80<br><b>9</b> +90 | <b>27</b> 2700K | <b>N</b> No<br><b>9</b> 90 mins |
|           | <b>T</b> Recessed Trimless  | <b>B</b> Flat Black | <b>M</b> 330lm (6W) | <b>U<sup>2</sup></b> Universal 120V to 277V |  | <b>I<sup>3</sup></b> IC Housing       |  |                              | <b>30</b> 3000K |                                 |
|           | <b>S</b> Semi-Recessed      | <b>S</b> Silver     | <b>H</b> 462lm (8W) |   |  | <b>N<sup>3</sup></b> Non-IC Housing   |  |                              | <b>35</b> 3500K |                                 |
|           | <b>P</b> Pendant            | <b>C</b> Bronze     |                     |   |  | <b>R<sup>3</sup></b> Remodel Housing  | <b>40</b> 4000K                            |                              |                 |                                 |
|           | <b>M</b> Millwork           | <b>X</b> Custom     |                     |   |  |                                       |  |                              |                 |                                 |
|           | <b>E</b> Surface Mounted    |                     |                     |   |  |                                       |  |                              |                 |                                 |

Notes:

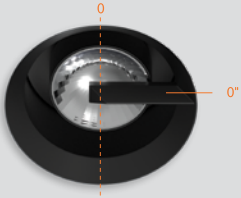
<sup>1</sup> Output is per cell.  
<sup>2</sup> Housings are only for recessed mounting.  
<sup>3</sup> IC & ICA Housing only for recessed mounting.



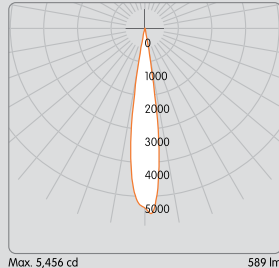
**OPTICAL FLEXIBILITY**

Photometric data: Type C Polar Curves

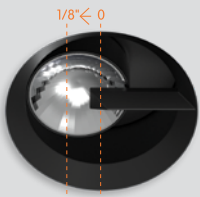
**Narrow Beam**



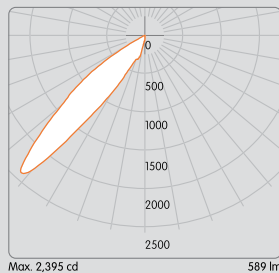
**E** Central position  
Central position + reflector high : 0"



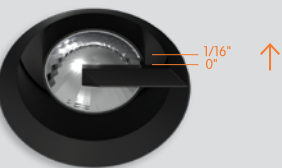
**45° Beam Angle Tilt**



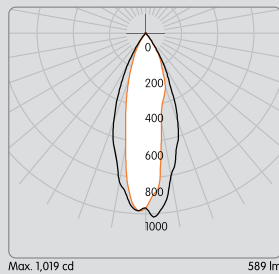
**E** 1/8" horizontal translation\*



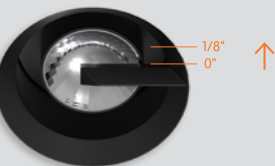
**Medium Beam**



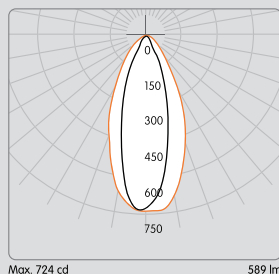
**E** Central position  
+ reflector high : 1/16"



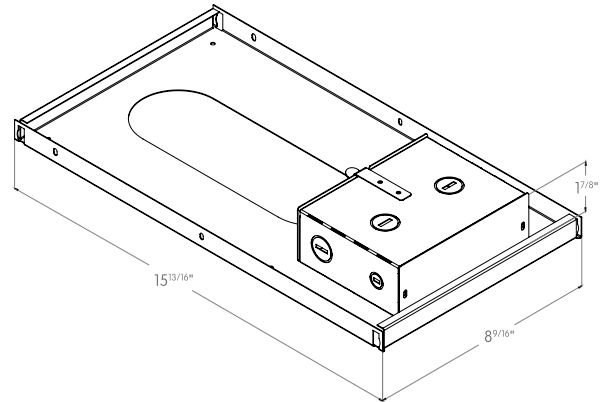
**Wide Beam**



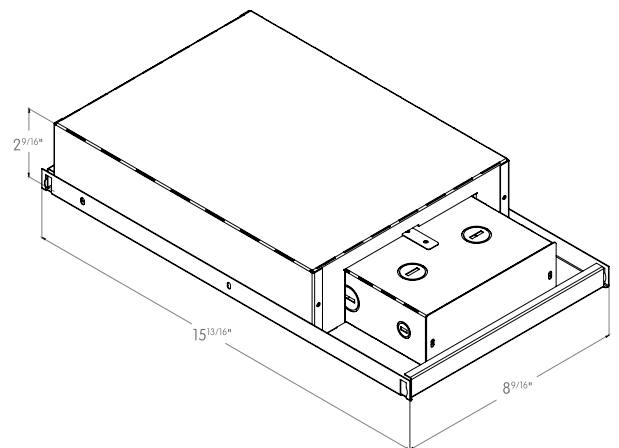
**E** Central position  
+ reflector high : 1/8"



**NON-IC HOUSING**



**IC HOUSING & AIRTIGHT**



All drivers enclosures are for install from below accessible from under the ceiling.


Please refer to the installation manuals for more details.

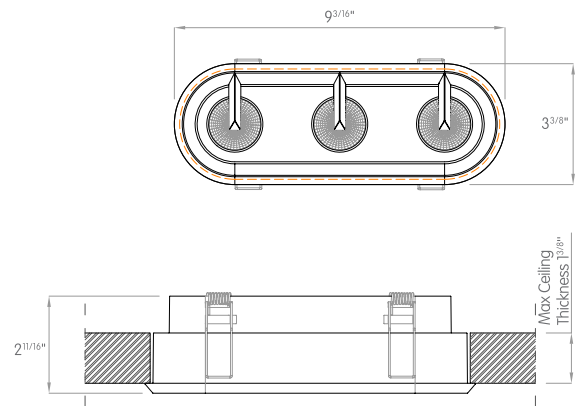


# MOUNTING FLEXIBILITY

## TRIM




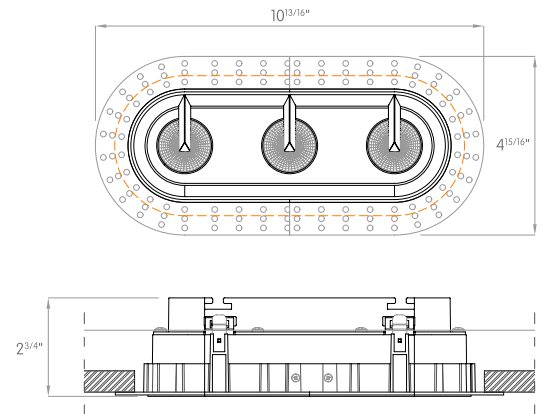
 (8<sup>7</sup>/<sub>8</sub>" x Ø3<sup>1</sup>/<sub>16</sub>"')



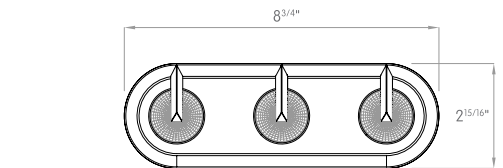
## TRIMLESS



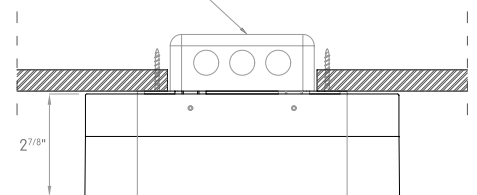
 (9<sup>11</sup>/<sub>16</sub>" x Ø3<sup>7</sup>/<sub>8</sub>"')



## SURFACE MOUNTED



Recommended J-BOX 2" x 4" -  
provided by the contractor

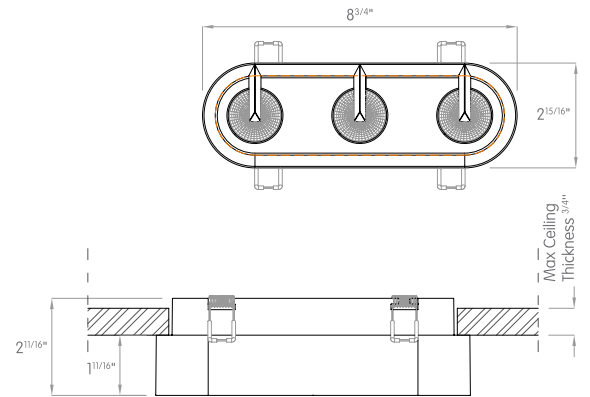


# MOUNTING FLEXIBILITY

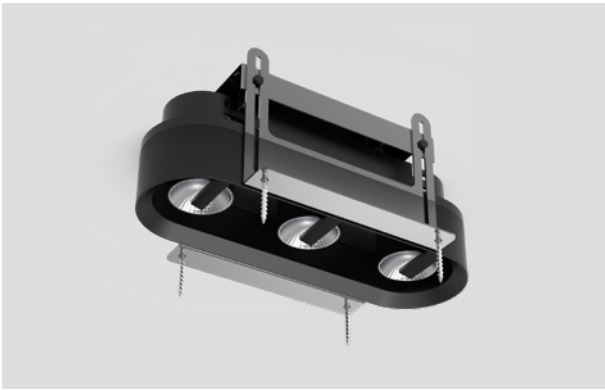
## SURFACE MOUNTED SEMI-RECESSED



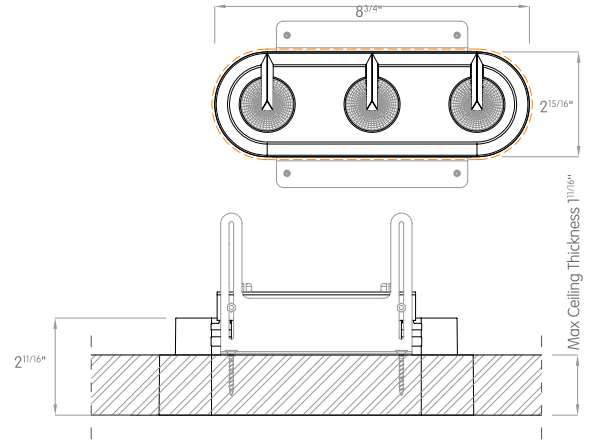
$(8\frac{1}{16}'' \times \text{Ø}2\frac{3}{16}'')$



## MILLWORK



$(8\frac{7}{8}'' \times \text{Ø}3\frac{1}{16}'')$



## PENDANT

