

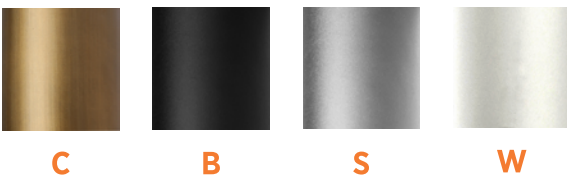
Eclipse is an adjustable, indirect illumination downlight; The hidden source is located in the static blade, shining up on the reflector, while the reflector travels in an orbital movement around the center of the fixture to allow a maximum vertical and horizontal beam tilt and adjustability. Its precise optics allow an outstanding beam control and a quiet transition between horizontal and vertical illumination. It is the ideal solution for applications requiring a hidden light source along with precise optics and extreme adjustability up to 45° in tilt and 360° of beam rotation.

- Up to 2,500lm delivered output
- Completely glare free 100% reflected light
- Available in recessed with trim & trimless, semi-recessed, pendant, millwork and surface mounted
- Adjustable beam tilt up to 45° in any direction (360°)
- Adjustable beam spread from 15° to 35°
- Available in 4 standard finishes: Black, white, silver and bronze
- Each reflector can be adjusted independently



reddot winner 2021

STANDARD FINISHES



DELIVERED LUMEN OUTPUT PER CELL

| | Output | Watts | CRI +80 | | | CRI +90 | | |
|----------|--------|-------|---------|-------|---------|---------|-------|---------|
| | | | 2700K | 3000K | 4000K | 2700K | 3000K | 4000K |
| L | | 4W | 264lm | 264lm | 285lm | 228lm | 228lm | 246lm |
| M | | 6W | 330lm | 330lm | 355.8lm | 285lm | 285lm | 307.2lm |
| H | | 8W | 462lm | 462lm | 498lm | 399lm | 399lm | 430.2lm |

Code example: **E5**-RW-L11R-N827-9

| Series | Mounting | Finish | Output ¹ | Voltage | Dimming | Housing | Beam | CRI | CCT. | Emergency |
|-----------|-----------------------------|---------------------|---------------------|---|--|---------------------------------------|--|------------------------------|-----------------|---------------------------------|
| E5 | R Recessed with Trim | W Flat White | L 264lm (4W) | 1 120V | 0 Non-Dim 1 0-10V to 5% 2 0-10V to 0.1% P ELV Dimming | A² Airtight Housing | N 15° to 35° F 35° to 50° | 8 +80 9 +90 | 27 2700K | N No 9 90 mins |
| | T Recessed Trimless | B Flat Black | M 330lm (6W) | U² Universal 120V to 277V | | I³ IC Housing | | | 30 3000K | |
| | S Semi-Recessed | S Silver | H 462lm (8W) | | | N³ Non-IC Housing | 35 3500K | | | |
| | P Pendant | C Bronze | | | | R³ Remodel Housing | 40 4000K | | | |
| | M Millwork | X Custom | | | | | | | | |
| | E Surface Mounted | | | | | | | | | |

Notes:

¹ Output is per cell.

² Housings are only for recessed mounting.

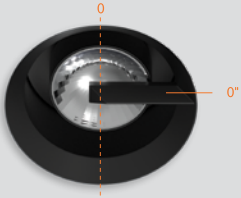
³ IC & ICA Housing only for recessed mounting.



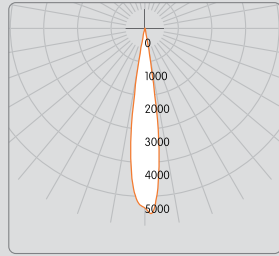
OPTICAL FLEXIBILITY

Photometric data: Type C Polar Curves

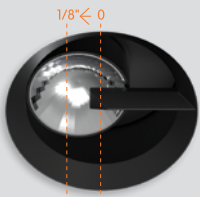
Narrow Beam



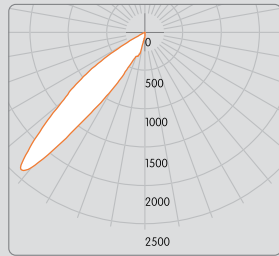
E Central position
Central position + reflector high : 0"



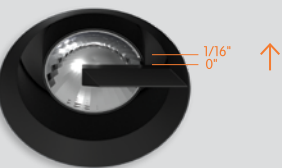
45° Beam Angle Tilt



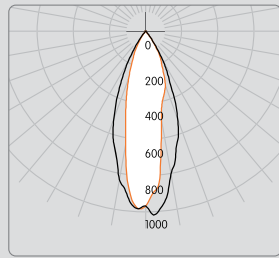
E 1/8" horizontal translation*



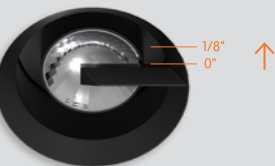
Medium Beam



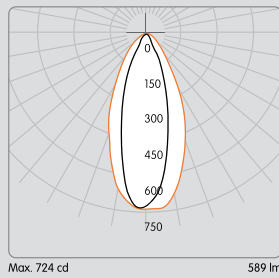
E Central position
+ reflector high : 1/16"



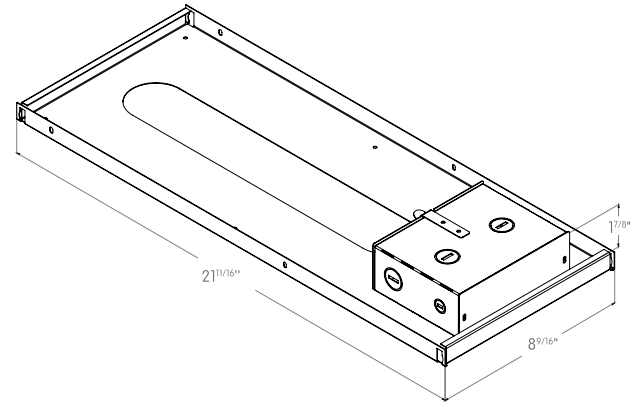
Wide Beam



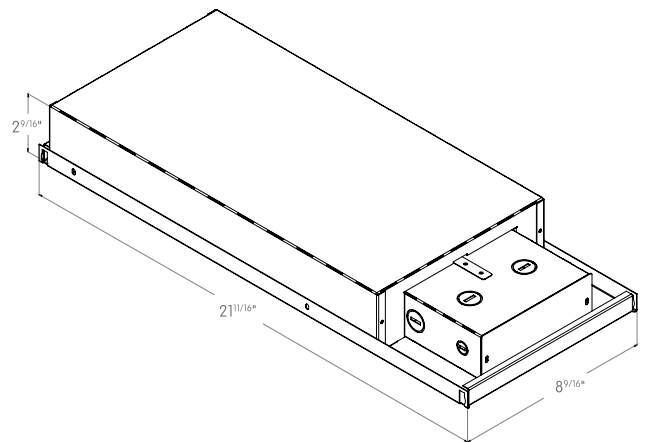
E Central position
+ reflector high : 1/8"



NON-IC HOUSING



IC HOUSING & AIRTIGHT



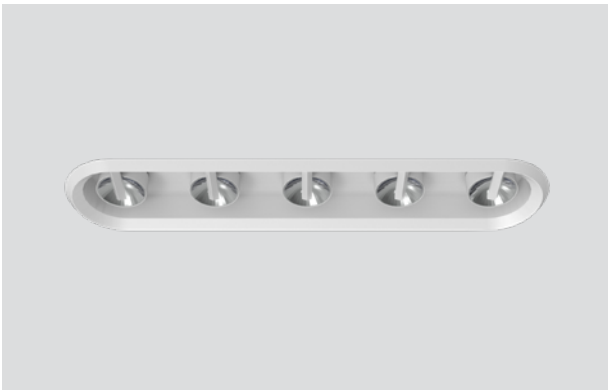
All drivers enclosures are for install from below accessible from under the ceiling.

Please refer to the installation manuals for more details.

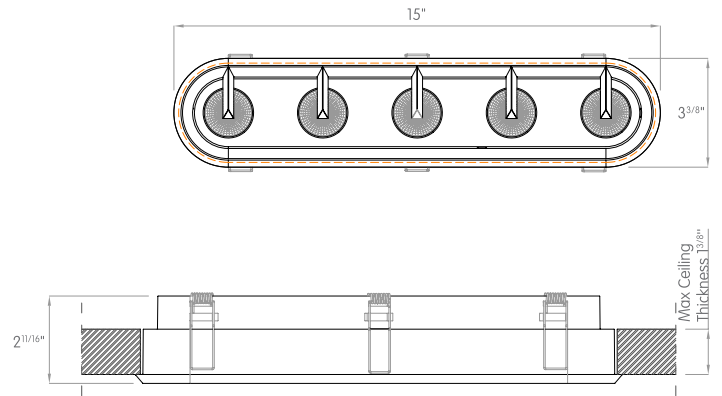


MOUNTING FLEXIBILITY

TRIM



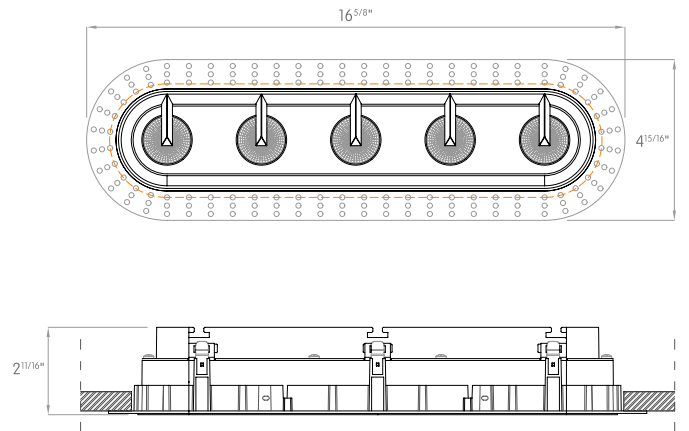
(1' 2³/₄" x Ø3¹/₁₆"')



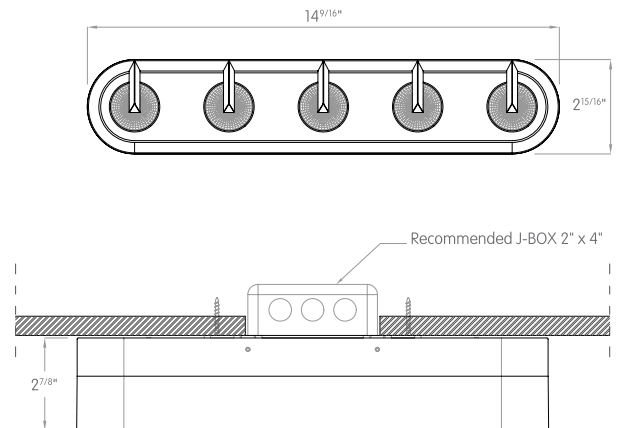
TRIMLESS



(1' 3³/₁₆" x Ø3¹/₂"')



SURFACE MOUNTED

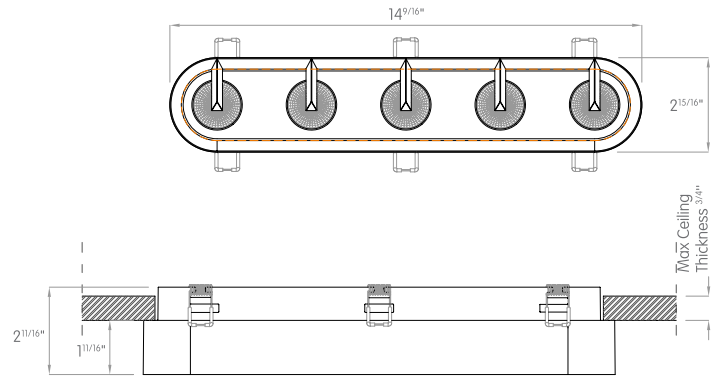


MOUNTING FLEXIBILITY

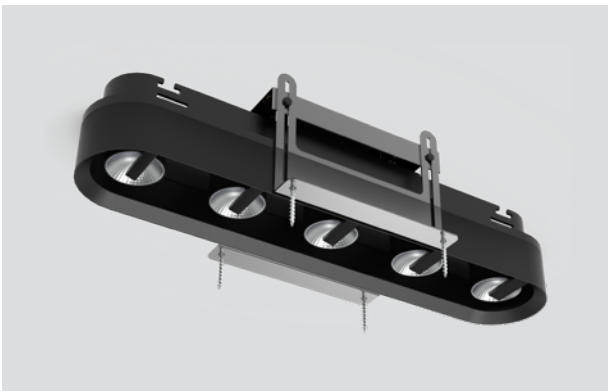
SURFACE MOUNTED SEMI-RECESSED



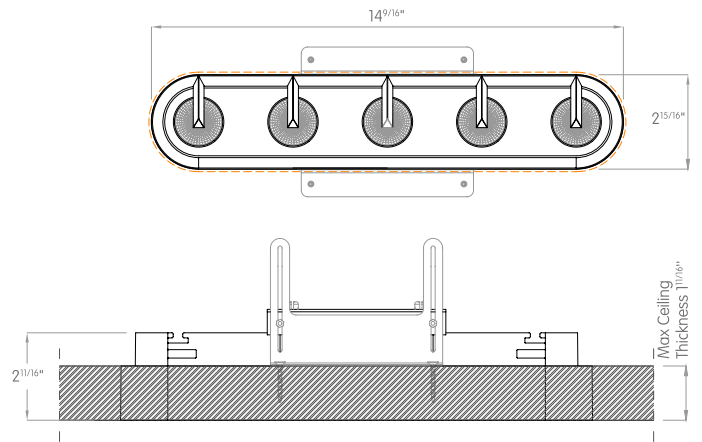
$(1' 1\frac{7}{8}'' \times \text{Ø}2\frac{3}{16}'')$



MILLWORK



$(1' 2\frac{3}{4}'' \times \text{Ø}3\frac{1}{16}'')$



PENDANT

