

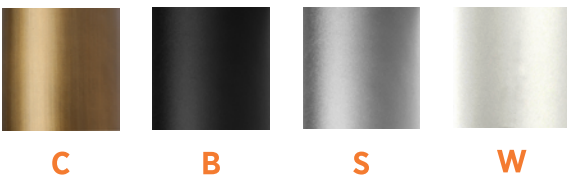
Eclipse is an adjustable, indirect illumination downlight; The hidden source is located in the static blade, shining up on the reflector, while the reflector travels in an orbital movement around the center of the fixture to allow a maximum vertical and horizontal beam tilt and adjustability. Its precise optics allow an outstanding beam control and a quiet transition between horizontal and vertical illumination. It is the ideal solution for applications requiring a hidden light source along with precise optics and extreme adjustability up to 45° in tilt and 360° of beam rotation.

- Up to 500lm delivered output
- Completely glare free 100% reflected light
- Available in recessed with trim & trimless, semi-recessed, pendant, millwork and surface mounted
- Adjustable beam tilt up to 45° in any direction (360°)
- Adjustable beam spread from 15° to 35°
- Available in 4 standard finishes: Black, white, silver and bronze



reddot winner 2021

STANDARD FINISHES



DELIVERED LUMEN OUTPUT PER CELL

	Output	Watts	CRI +80			CRI +90		
			2700K	3000K	4000K	2700K	3000K	4000K
L		4W	264lm	264lm	285lm	228lm	228lm	246lm
M		6W	330lm	330lm	355.8lm	285lm	285lm	307.2lm
H		8W	462lm	462lm	498lm	399lm	399lm	430.2lm

Code example: **E1**-RW-L11R-N827-9

Series	Mounting	Finish	Output	Voltage	Dimming	Housing	Beam	CRI	CCT.	Emergency
E1	R Recessed with Trim	W Flat White	L 264lm (4W)	1 120V	0 Non-Dim	A² Airtight Housing	N 15° to 35°	8 +80	27 2700K	N No
	T Recessed Trimless	B Flat Black	M 330lm (6W)	U¹ Universal 120V to 277V	1 0-10V to 5%	I² IC Housing	F 35° to 50°	9 +90	30 3000K	9 90 mins
	S Semi-Recessed	S Silver	H 462lm (8W)		2 0-10V to 0.1%	N² Non-IC Housing			35 3500K	
	P Pendant	C Bronze			P ELV Dimming	R² Remodel Housing			40 4000K	
	M Millwork	X Custom								
	E Surface Mounted									

Notes:

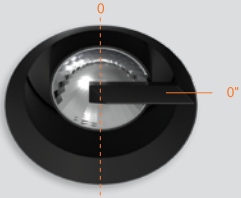
¹ Not applicable for ELV dimming.
² Housings are only for recessed mounting.



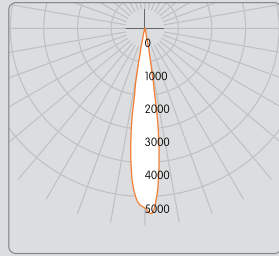
OPTICAL FLEXIBILITY

Photometric data: Type C Polar Curves

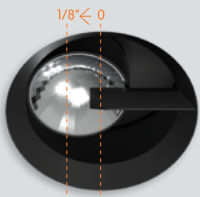
Narrow Beam



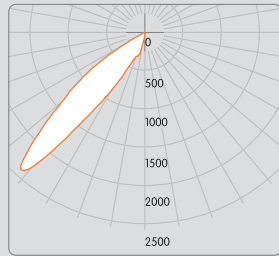
E Central position
Central position + reflector high : 0°



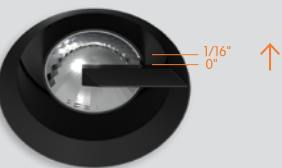
45° Beam Angle Tilt



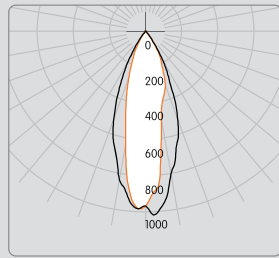
E 1/8" horizontal translation*



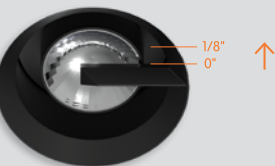
Medium Beam



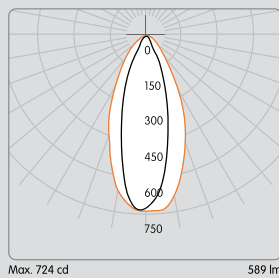
E Central position
+ reflector high : 1/16"



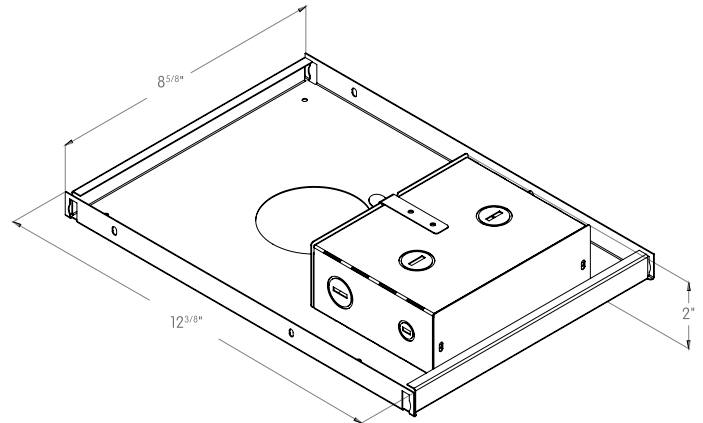
Wide Beam



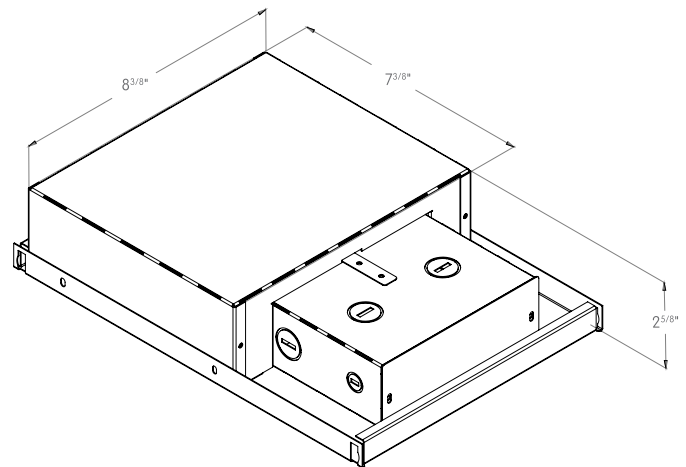
E Central position
+ reflector high : 1/8"



NON-IC HOUSING



IC HOUSING & AIRTIGHT



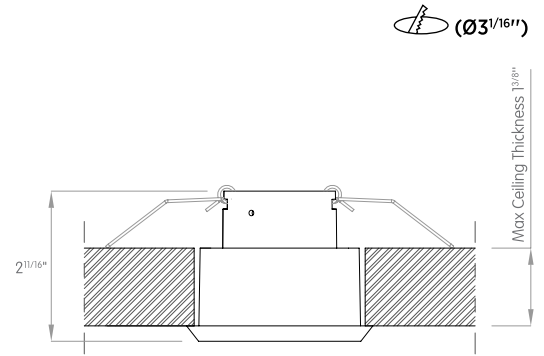
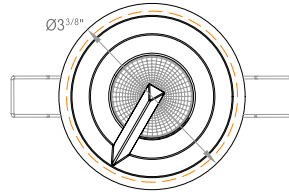
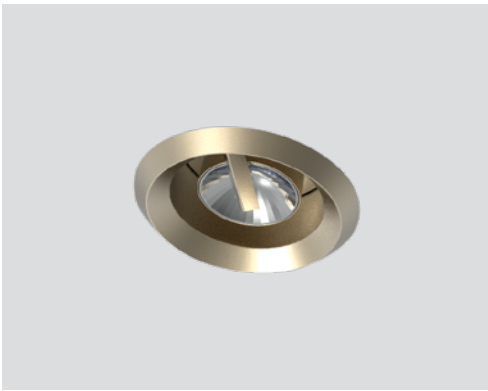
All drivers enclosures are for install from below accessible from under the ceiling.

Please refer to the installation manuals for more details.

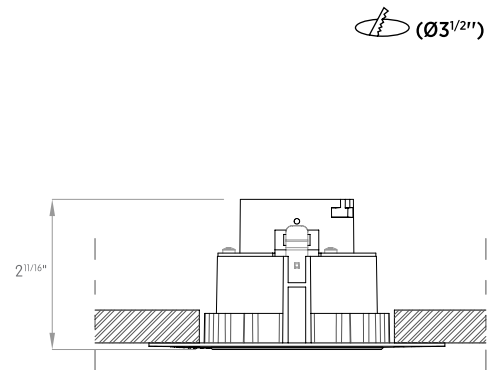
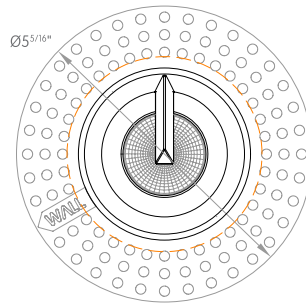
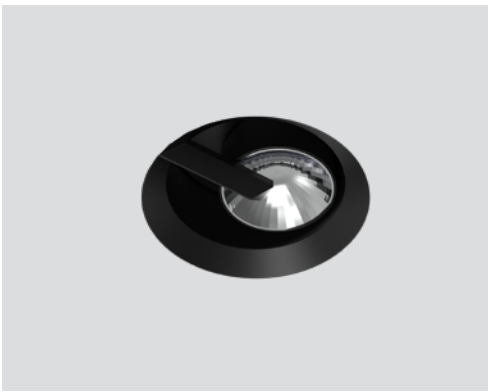


MOUNTING FLEXIBILITY

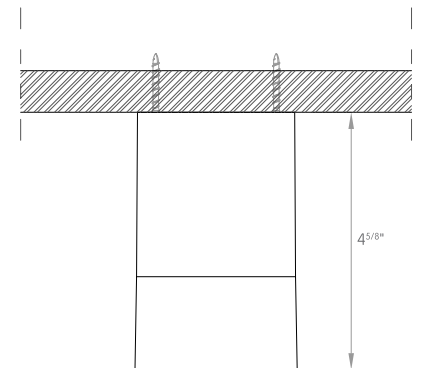
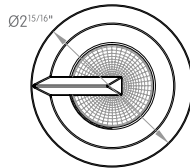
TRIM



TRIMLESS




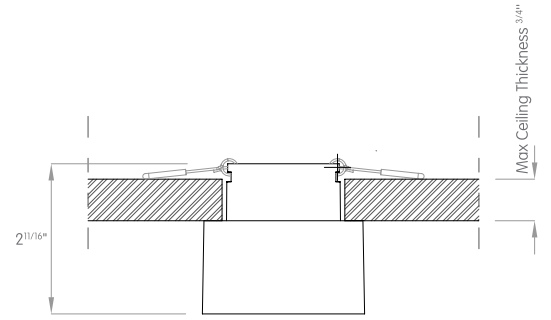
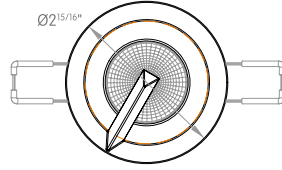
SURFACE MOUNTED




MOUNTING FLEXIBILITY

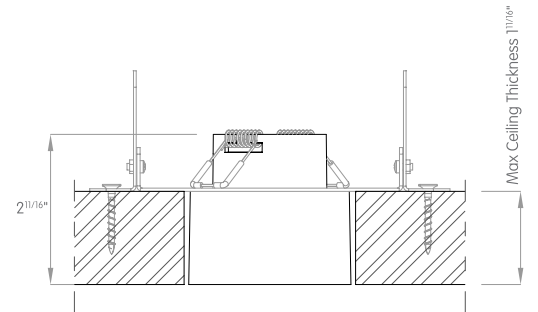
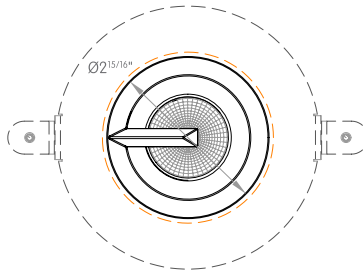
SURFACE MOUNTED SEMI-RECESSED

 (Ø2 3/16")



MILLWORK

 (Ø3 1/16")



PENDANT

