

SPECTER magnetic track system allows unlimited design configurations. SPECTER can extend through spaces creating a neat and minimal, continuous slot, where all types of SPECTER fixtures can be installed, moved, removed or swapped in one hand motion, allowing a maximum design flexibility.

- Magnetic track system ensures wall and ceiling continuity
- Track system dedicated to SPECTER fixtures range
- Recessed trimless, millwork, surface mounted, pendant or pendant with uplight
- Supports 2 independent 24VDC low voltage circuits
- Dimmable remote driver available in ELV, 0-10V and DALI
- Each track run can support up to 450W on one feed
- Track system is configured and made-to-size for your projects
- Pendant version available with uplight LED strip up to 500lm/ft
- 5 years limited warranty



RECESSED TRIMLESS TRACK



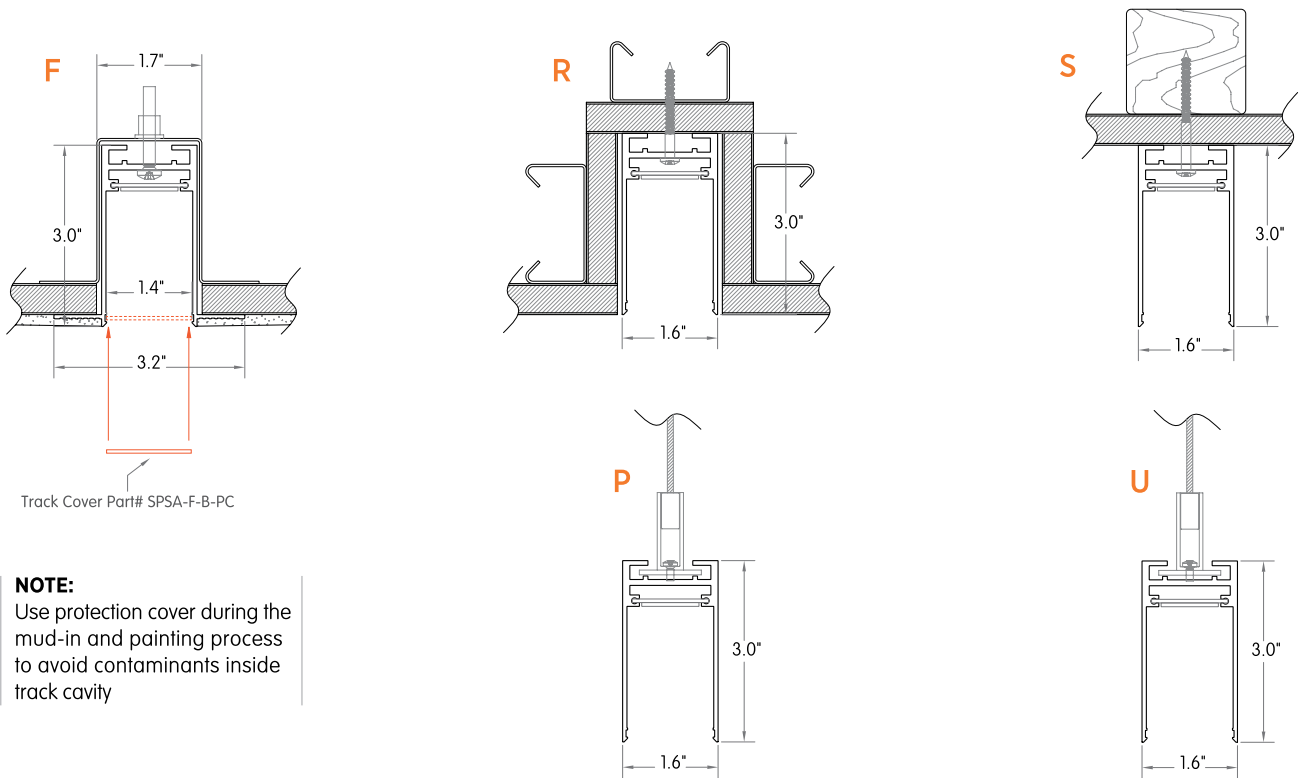
SURFACE/MILLWORK/PENDANT
PENDANT WITH UPLIGHT TRACK

Code example: **SPSS** - F02W-01-2

Series	Mounting	Length Increments*	Body Finish	Dimming	Circuit
SPSS	F Recessed Trimless	02 2 ^{2/5} in	W White	01 0-10V Dimming to 10%	1 1-Circuit
	R Recessed Millwork	04 4 ^{1/8} in	B Black	EL ELV Dimming to 10%	2 2-Circuit
	S Surface Mounted	05 5 ^{1/2} in	S Silver	DL Dali Dimming	
	P Pendant	18 18 ^{3/8} in	Z Bronze	XX Custom	
	U Pendant with Uplight	XX Custom	X Custom		
		*Please create that track's length using the above increments.			

MOUNTING DETAILS

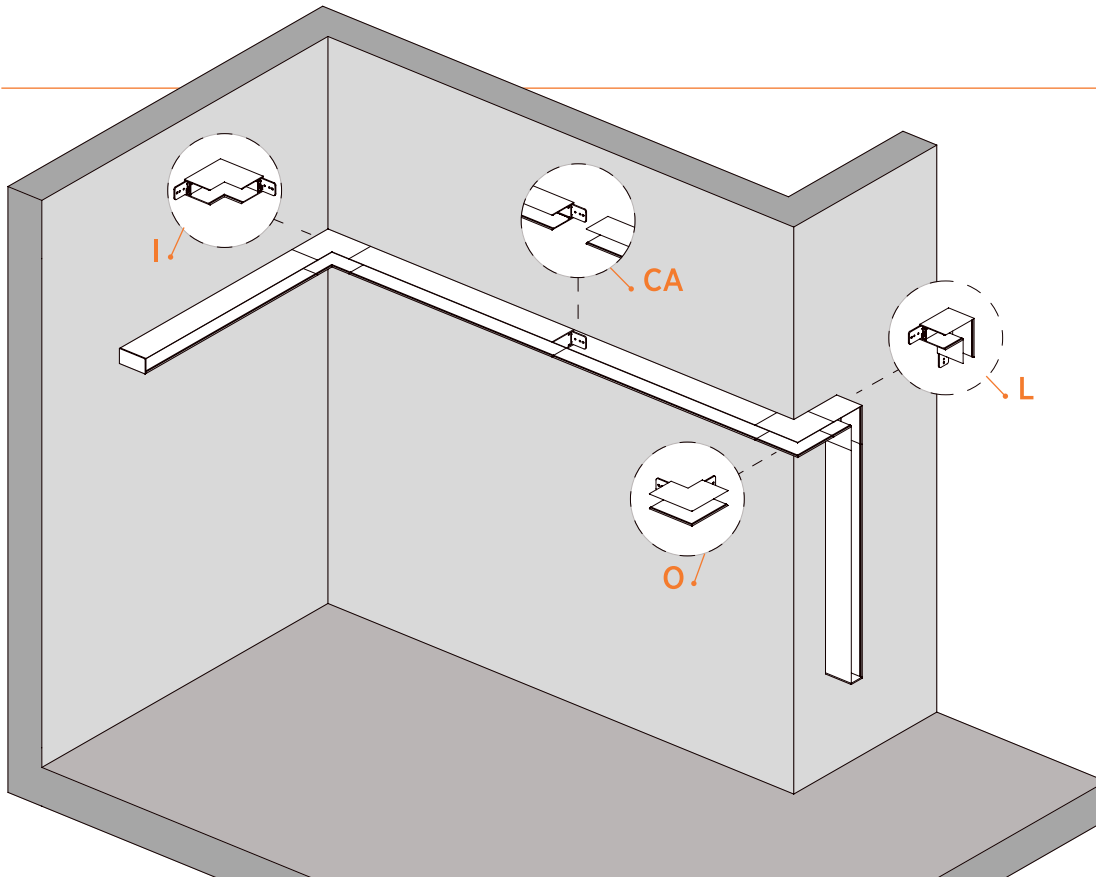
TRACK MOUNTING DETAILS



NOTE:

Use protection cover during the mud-in and painting process to avoid contaminants inside track cavity

SPECTER TRACK SYSTEM



SPSA ACCESSORIES



CA CONNECTION COUPLER A
CB CONNECTION COUPLER B



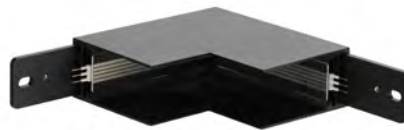
PA SUSPENSION KIT A
PB SUSPENSION KIT B



SPSS SPECTER TRACK



L "L" CORNER



I INNER CORNER



O OUTER CORNER



A ANGLE CONNECTOR



V CROSS CONNECTOR



T "T" CONNECTOR

SPSS AVAILABLE MODULES

BREAK



BREAK DOT



BREAK LINE

SPSF-B03W-A-W-N827-2

SNOOT



SNOOT

SPSF-S15W-P-W-N827-2

UNDROP



UNDROP DOT



UNDROP LINE



UNDROP WASHER

SPSF-U03W-A-W-N827-2

SNOOT PENDANT



PENDANT

SPSF-P15W-P-W-N827-2

