

RM42

MODULAR FIXTURE SYSTEM

A small profile modular fixture system for surface and pendant mounting

- Custom curved sections and shapes
- Continuous rows
- Hinge connector for continuous straight or angled runs or to create shapes
- Illuminated geometric corner modules

Housing: Extruded aluminum. Continuous straight and curved sections are joined with self aligning integral end plates.

Removable reflector - driver module.

Lens: High transmissive frosted acrylic.

Tension springs for lens retention and removal.

Certification: UL listed for damp location use.

Warranty: 5 year limited warranty.



RM42 with 90C illuminated corners



RM42 with custom curved sections

CURVED SECTIONS - CONSTANT RADIUS



RM42 with constant curved sections

order sequence example

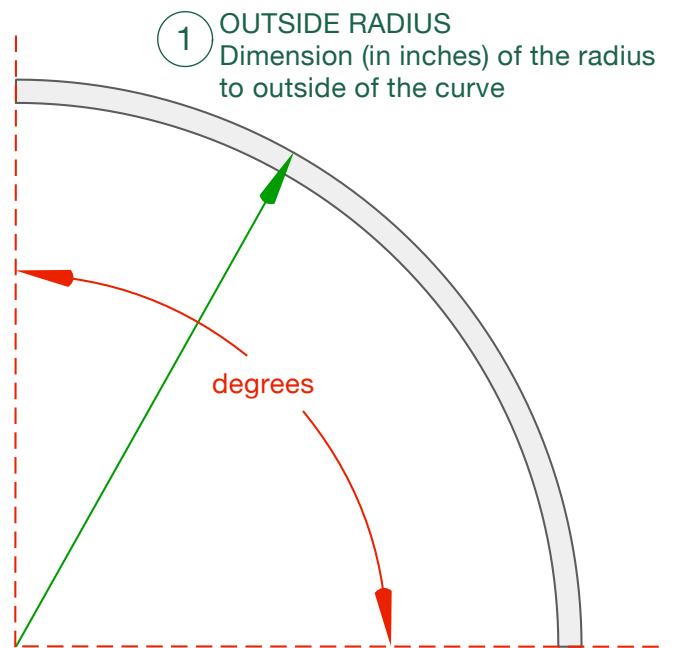
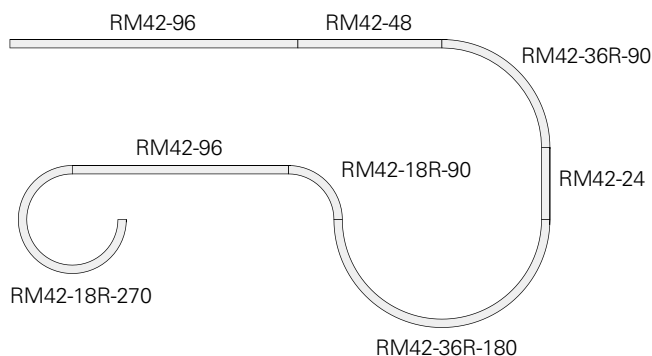
1	OUTSIDE RADIUS	DEGREES OF ARC			
RM42	XXXR	XXX	3500	BLK	PND-BL

Example: A curved section with a 120" radius and a 90 degree arc section would be; **RM42-120R-90**

• Light output of curved sections is 560 or (HO version is 1,0140) lumens per lineal foot, visually matched to a straight section.

The catalog number for the example below is:

RM42-96/RM42-48/RM42-36R-90/RM42-24/RM42-36-180/RM42-18R-90/RM42-96/RM42-18R-270-3500 -WHT-PND-WH.





RM42 with custom curved sections

Free form shapes or compound curves can be configured to follow wall or ceiling details. Lumos provides scaled approval drawings with suspension and power locations as part of the submittal/approval process.

Free form fixture shapes or soft cornered triangles and rectangles can be produced per drawings supplied to Lumos. Lumos provides scaled approval drawings with suspension and power locations as part of the submittal/approval process.

COMPOUND CURVED SECTIONS

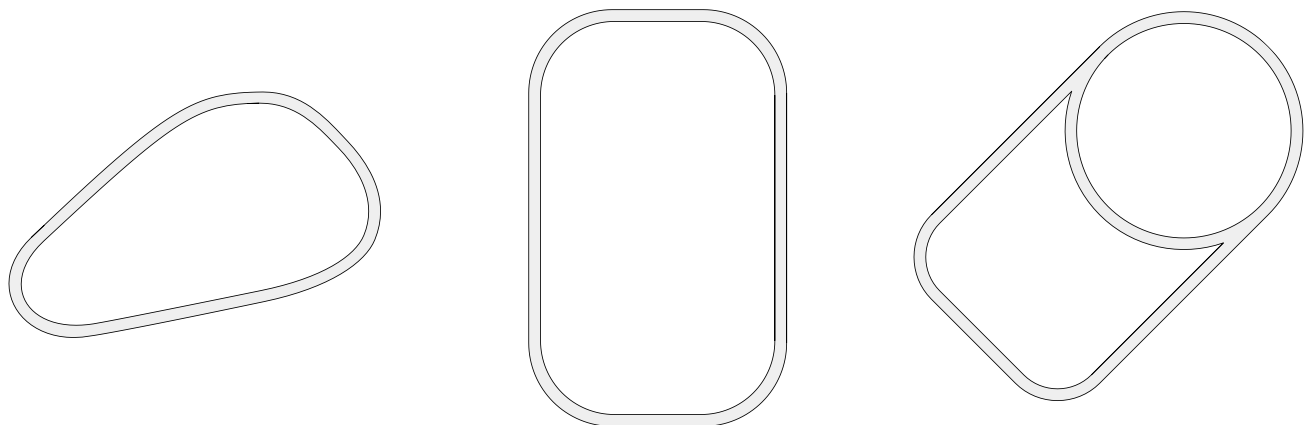
RM42-CMPC	3500	WHT	PND-WH	-
------------------	-------------	------------	---------------	----------

Provide a scaled PDF or DXF file to the factory.

FIXTURE SHAPES

RM42-FFSH	3500	WHT	SRF	-
------------------	-------------	------------	------------	----------

Provide a scaled PDF or DXF file to the factory.



Examples of free form shapes

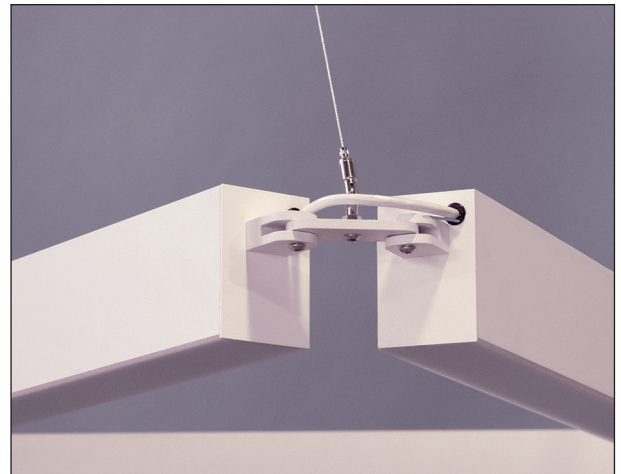
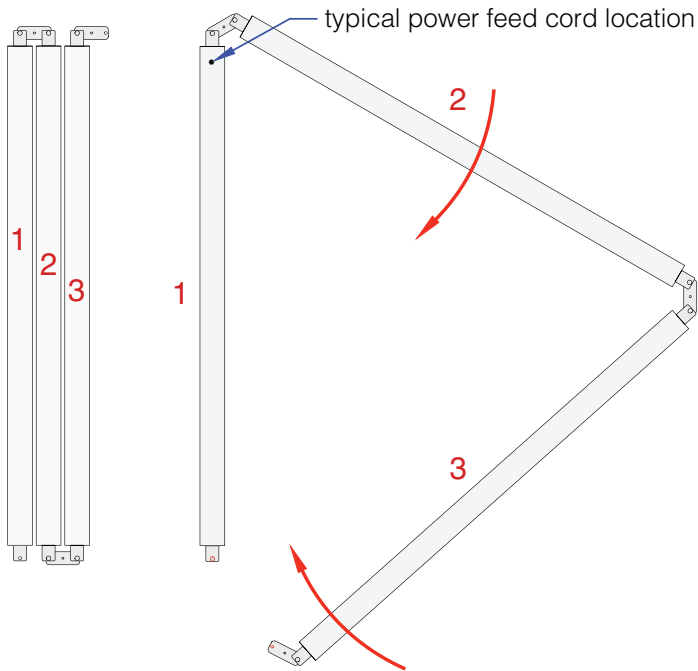
RM42

HINGE SYSTEM

order sequence example

RM42-				
1	2	3	4	5
3 - RM42-48	3500	WHT	PND-WH	HNG-SH
#	length	CCT	color	mounting connector

Fixture shapes can be created with the hinge connectors. Each connector joins two fixtures. So a three sided shape requires three hinges. Each hinge connector receives a suspension cable. Fixture shapes are preassembled and wired for quick, easy installation at the job site. Just unfold the shape, attach the suspension cables and join the two "ends" of the fixture configuration. Then connect the cord to the electrical service.



RM42-60 - 4000 - WHT - PND-WH - HNG-SH

5 OPTIONAL HINGED CONNECTORS

HNG-SH One hinge connector per fixture housing to form a completely closed shape.

HNG-RN For fixture runs configured with separated ends. End caps (2) and cable hardware preinstalled on the fixture ends.

- White fixtures - white cord (at hinge)
- Silver fixtures - silver braid cord (at hinge)
- Gray fixtures - white cord (at hinge)
- Black fixtures - black cord (at hinge)
- RAL fixture color: choose cord color from above.
- Cord color from the fixture to the ceiling canopy is defined in the "Mounting" options on page 9.

Hinged connectors can also be used for straight or open ended runs where the speed of installation is essential or where access is limited.

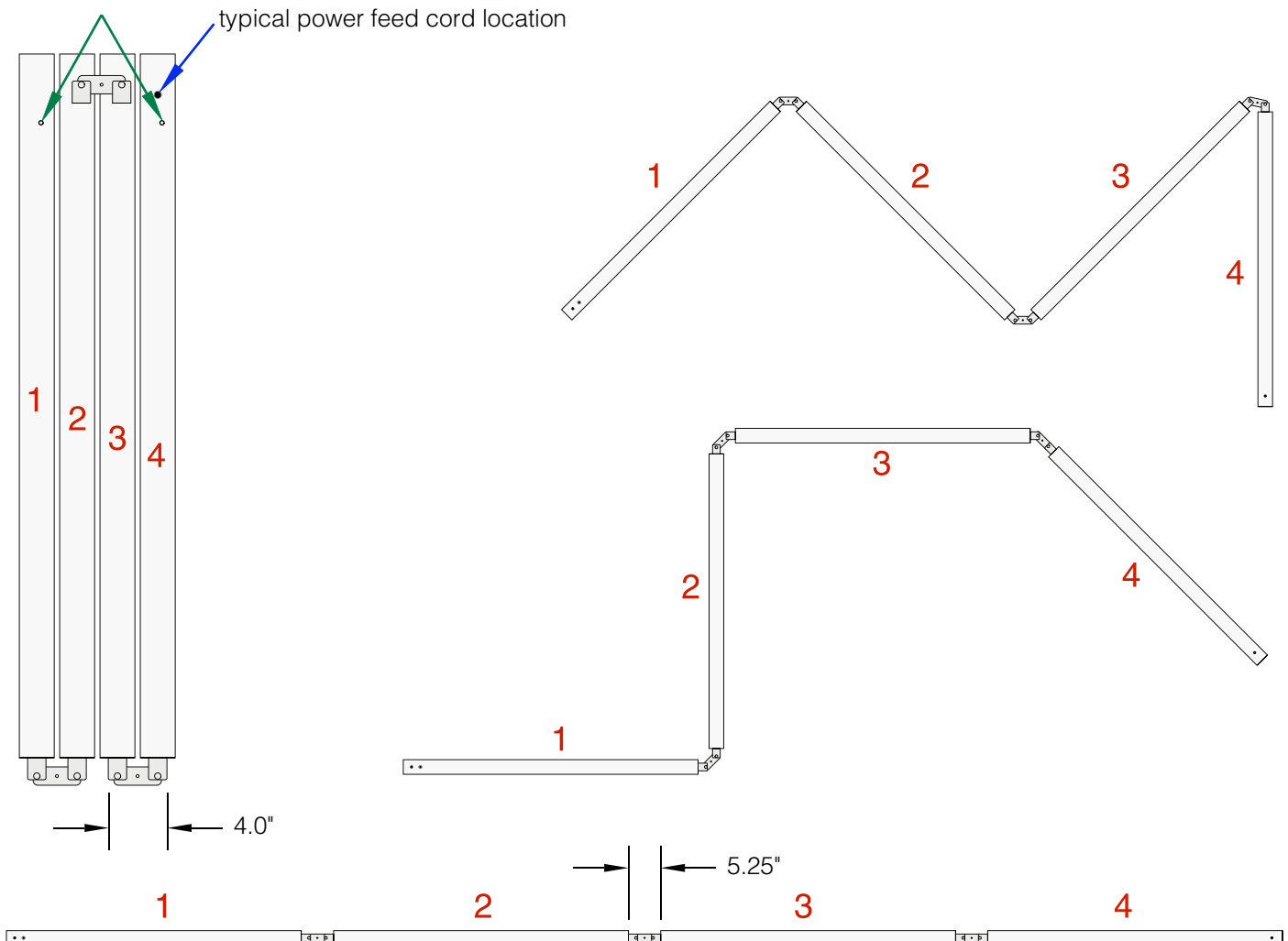
Fixtures can be joined together in straight or angled runs. Preassembly of the runs at the factory results in lower field labor costs, less chance of an incorrect installation, and a faster completion of the site installation.

The order sequence for the configurations shown:

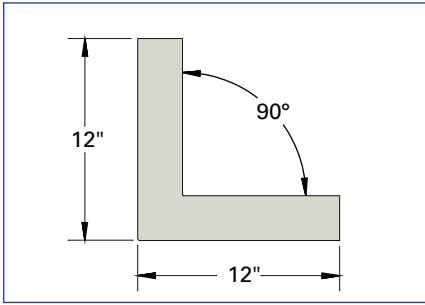
order sequence example

RM42-				
1	2	3	4	5
4 - RM42-48	4000	ASL	PND-WH	HNG-RN
#	length	CCT	color	mounting
				connector

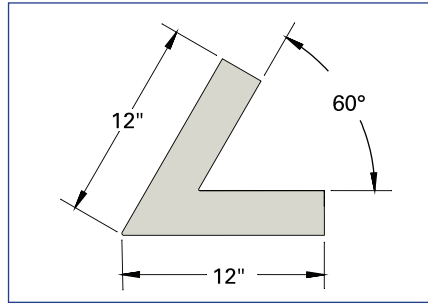
end(s) of a run cable locations



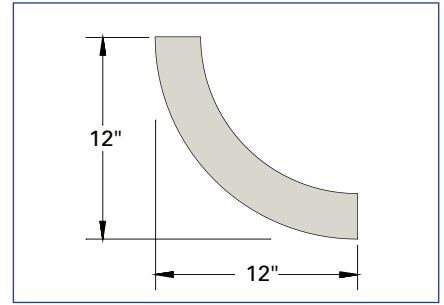
Connector modules can be combined into shapes such as squares and rectangles, or open ended patterns. All connector modules are lensed and illuminated. All corner joints are welded and finished - no assembly.



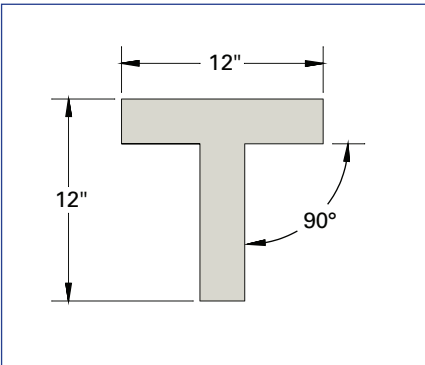
RM42-90C 90 degree corner



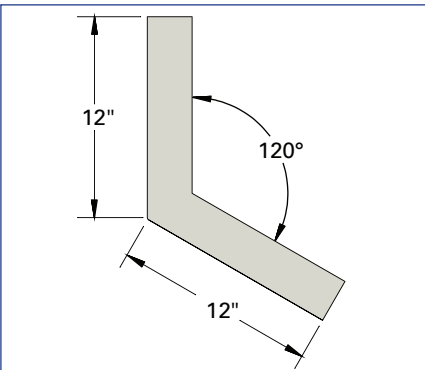
RM42-60C 60 degree corner



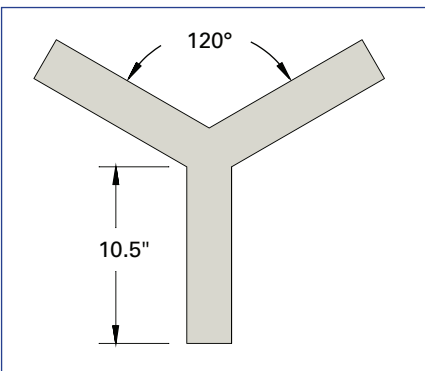
RM42-90RC round 90° corner



RM42-TEE tee connector



RM42-120C 120 degree corner

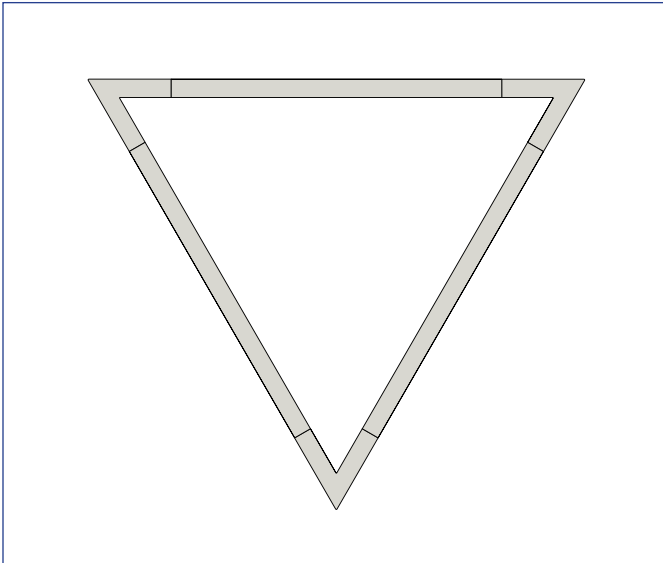


RM42-3W 3 way hub



RM42-120C 120 degree corner

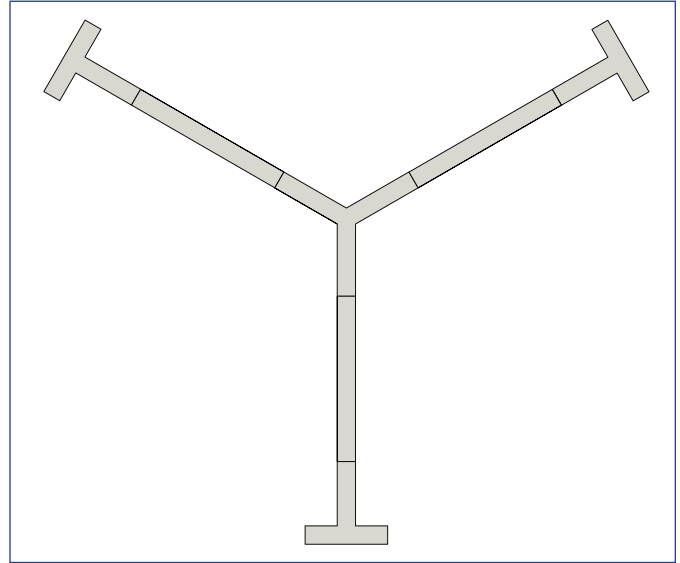
Factory provides layout drawings with suspension and power locations.



CAT NO.

3/RM42-48 - 3/RM42-60C

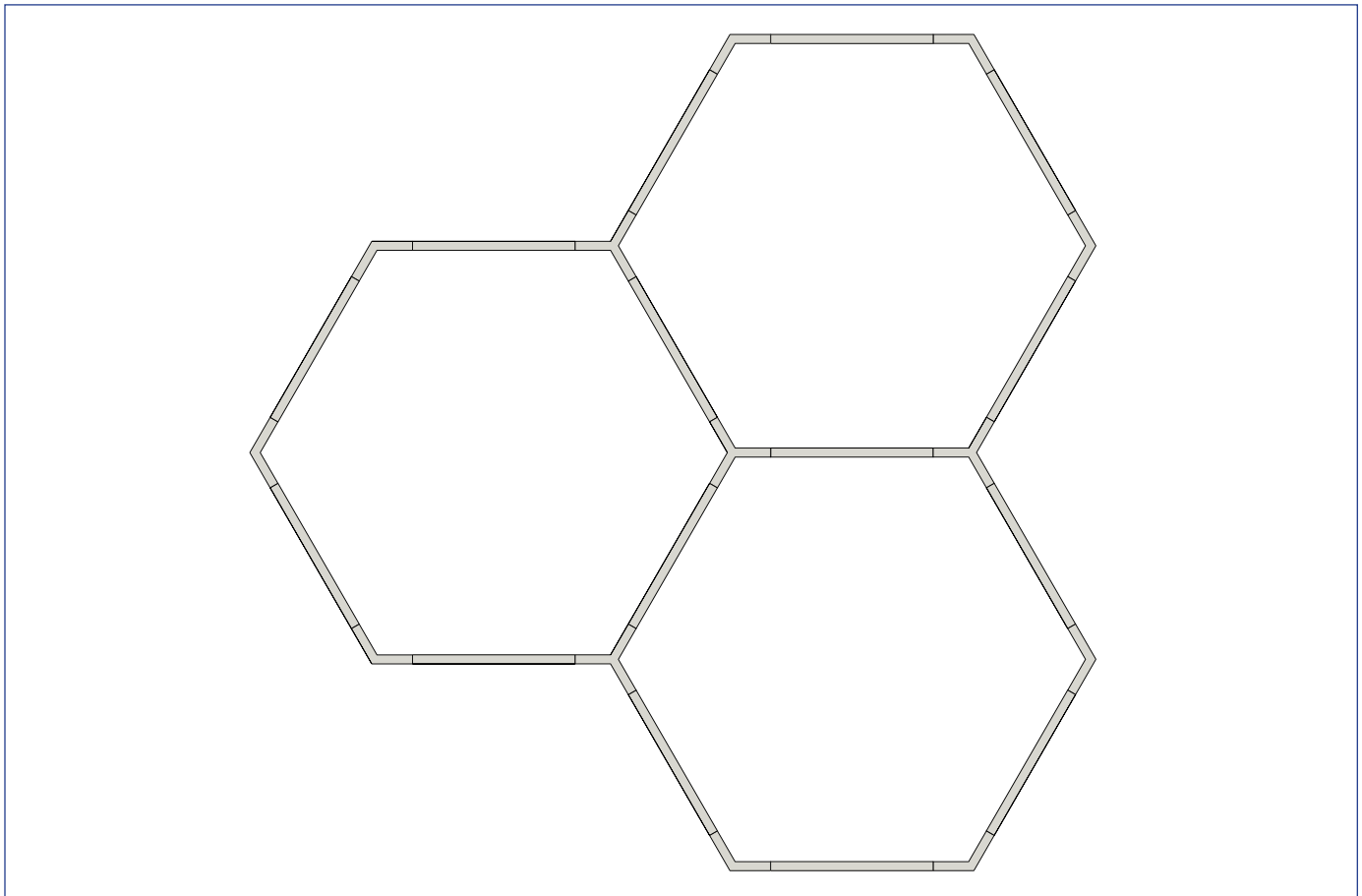
3 - 48" long straights and 3 - 60 degree corners



CAT NO.

1/RM42-3W - 3/RM42-TEE - 3/RM42-24

1-3 way hub, 3-tee connectors, 3 -24" long straights



9/RM42-120C, 4/RM42-3W, 15/RM42-48

3 COLOR

WHT	Matte white powder coat
GRY	Matte gray (RAL7035) powder coat
ASL	Anodized silver powder coat
BLK	Satin black powder coat
RAL	Specify 4 digit RAL color number
CSCL	Custom color, provide color chip

WOOD FINISHES - END CAPS ARE SATIN BLACK

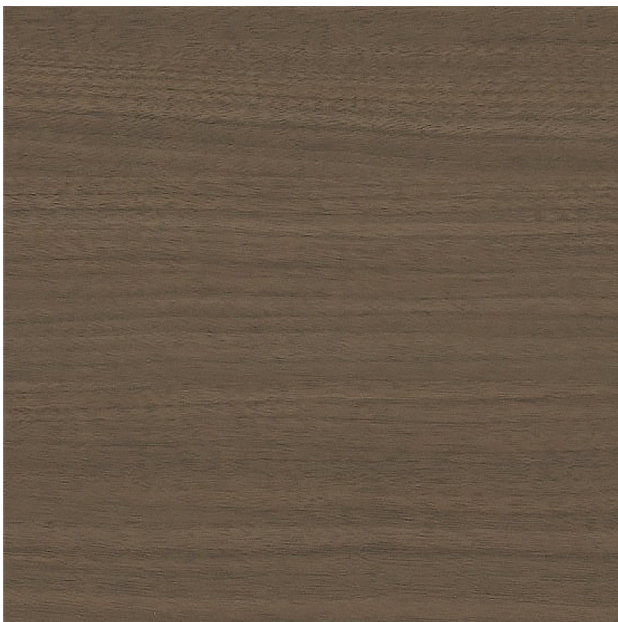
WG-01 wood grain finish



WG-02 wood grain finish



WG-03 wood grain finish



WG-04 wood grain finish



RM42

ORDER SEQUENCE

RM42-

EXAMPLE

1	2	3	4	5		
RM42- 96	3500	WHT	SRF	-	-	

PROJECT: _____ TYPE: _____

DATE: _____

1	CAT NO.	DESCRIPTION	DELIVERED LUMENS	
	RM42-24	24" long,	1,118 lumens,	13 watts
	RM42-36	36" long,	1,701 lumens,	19 watts
	RM42-48	48" long,	2,284 lumens,	26 watts
	RM42-60	60" long,	2,867 lumens,	32 watts
	RM42-72	72" long,	3,451 lumens,	39 watts
	RM42-84	84" long,	4,034 lumens,	46 watts
	RM42-96	96" long,	4,617 lumens,	52 watts

	CAT NO.	HIGH OUTPUT	DELIVERED LUMENS	
	RM42-24-HO	24" long,	2,231 lumens,	25 watts
	RM42-36-HO	36" long,	3,395 lumens,	39 watts
	RM42-48-HO	48" long,	4,559 lumens,	52 watts
	RM42-60-HO	60" long,	5,723 lumens,	65 watts
	RM42-72-HO	72" long,	6,887 lumens,	78 watts
	RM42-84-HO	84" long,	8,051 lumens,	91 watts
	RM42-96-HO	96" long,	9,215 lumens,	105 watts

1-A CAT NO. UPLIGHT OPTION
UPL 700 delivered lumens per foot, diffused satin lens, 7 watts per foot. Wired to a separate circuit for power and dimming.

- Drivers are integral, Class 2 constant current, 120-277 volt, and include two wire 0-10v dimming, 1-100%. Delivered lumen output values can be programmed to lower values than shown in 5% increments. Contact the factory for DALI dimming control options.

2 LED COLOR TEMP

3000	3000°K CRI >80
3500	3500°K CRI >80
4000	4000°K CRI >80

- **Tunable White** Contact factory for options.

RGB + WHITE LED COLOR TEMP

RGB + white LED includes a DMX decoder for connecting to a DMX control system. White LED output is equal to the delivered lumens for the model listings shown above, with normal output LEDs.

RGB/3000	Red, green, blue and 3000°K LEDs
RGB/3500	Red, green, blue and 3500°K LEDs
RGB/4000	Red, green, blue and 4000°K LEDs

3 COLORS SEE PAGE 8

4 MOUNTING FOR STRAIGHT AND CURVED SECTIONS
SRF ceiling or surface mount

PND-WH pendant mount with solid end caps, two 5" white canopies, 100" adjustable cables and a 5 wire, white cord.

PND-SL pendant mount with solid end caps, two 5" white canopies, 100" adjustable cables and a 5 wire, silver braid SJT cord.

PND-BL pendant mount with solid end caps, two 5" black canopies, 100" adjustable cables and a 5 wire, black cord.

CURVED, COMPOUND SHAPES & CONTINUOUS ROWS

Provide a layout or schedule for each continuous row or shape. An internal joiner plate is provided for each joint location. End caps if needed are preinstalled. One cable location per fixture section except the first fixture which has two cables (continuous runs).

5 OPTIONAL HINGED CONNECTORS - HNG SEE PAGE 4 + 5

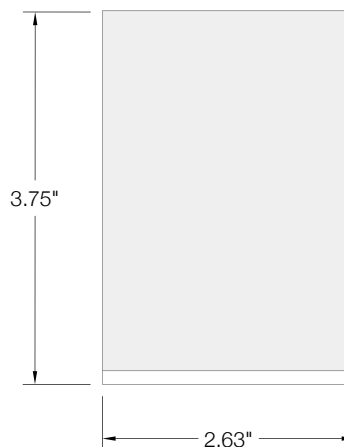
Provide layout or schedule of each continuous row. The hinge assembly and end caps are preinstalled. One power drop cable location.

5 OPTIONAL FIXED ANGLE CONNECTORS - SEE PAGE 6

CAT NO.

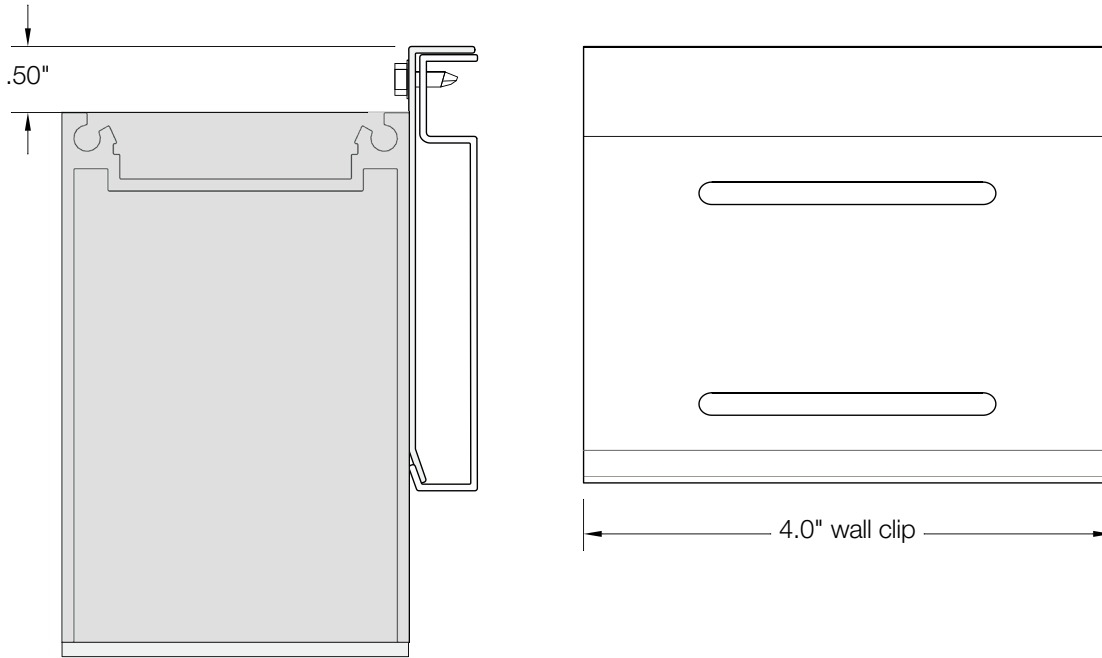
4/RM42-96	4/RM42-90C	4000	ASL	PND-SL
1	2	3	4	

4 - 96" long straights and 4 - 90 degree corners.



5 WALL MOUNTING BRACKET FOR STRAIGHT FIXTURES AND CONTINUOUS ROWS

Two steel brackets bonded to fixture,
2 wall clips, matte white,
Four #10 x 1/2 Teks screws provided per fixture



5 WALL MOUNTING BRACKET FOR CURVED FIXTURES AND CONTINUOUS ROWS

Adjustable wall brackets - X and Y axis - for curve and shape design continuous runs.
2 wall brackets, matte white, steel, 2-1/4-20 machine screws for attachment to the fixture
Attach bracket to wall with suitable fasteners

