

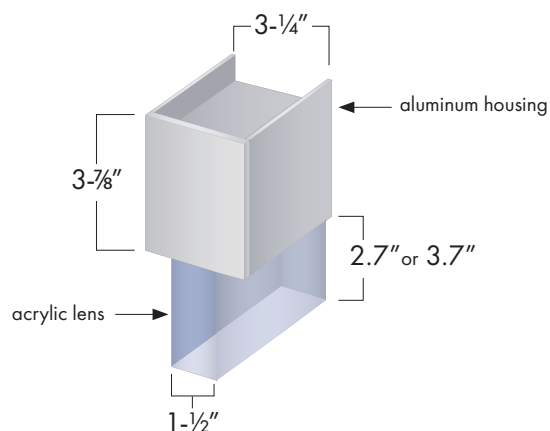
RM93-EXT

Illuminated Blade | Exterior

LUMOS
Architectural Lighting



OUTDOOR LINEAR FIXTURE WITH AN ILLUMINATED BLADE



Features

- Length:** 24" to 96"
- Output:** 86 LPW
- Housing:** Extruded aluminum
- Lens:** Sealed clear cast acrylic with frosted edges
- Mounting:** Surface or recessed
- Driver:** Integral or remote
- Certification:** UL listed for wet location use
- Warranty:** 5-year limited warranty
- Photometry:** Third-party photometric report and IES files on the web site

- Continuous rows available (1" gap between lenses)
- Lift and shift style blade/lens
- Engraving/wayfinding options available
- Stainless steel hardware and silicone seals
- RGBW in standard lumen output range
- Recessed model rated for IC ceilings



Project: _____ Type: _____ Date: _____

Order: _____

Example: CSM - RM93-EXT - 65 - 40 - SO - RGBW35 - DMX - SRF - WHT

Order Guide



Length	Blade Height	Lumen Output	LED	Driver
24	2.7 2.7" h	SO standard 452 lm/ft	Static White	DIM 0-10 V/1%
36	3.7 3.7" h	HO high 904 lm/ft	830 CRI >80 3000°K	DIM-.1 0-10 V/.1%
48		MD modify lumens and watts	835 CRI >80 3500°K	TRC TRIAC/ ELV
60			840 CRI >80 4000°K	DAL DALI
72			930 CRI >90 3000°K	DMX Digital Multiplex (consult factory)
84			935 CRI >90 3500°K	Drivers are rated 120-277 VAC
96			940 CRI >90 4000°K	
			Dynamic White	
			TW Tunable White 2700-6500°K	
			WD Warm Dim 2200-3500°K	
			Red, Green, Blue + White	
			RGBW30 RGBW+3000°K	
			RGBW35 RGBW+3500°K	
			RGBW40 RGBW+4000°K	
			(consult for TW, WD & RGBW)	



Mounting	Fixture Finish	Options
<p>Surface</p> <p>SRF surface mounted (provided with two mounting plates to secure; one .80" hole for attaching liquid tight metal fitting)</p> <p>Recessed</p> <p>REC recessed with trim flange (IC rated)</p> <p>(consult for catenary options)</p>	<p>Powder Coat</p> <p>WHT matte white</p> <p>BLK matte black</p> <p>ASL anodized silver</p> <p>GRY matte gray (RAL 7035)</p> <p>RALX RAL color X=code (specify)</p> <p>CCL custom color (provide chip)</p>	<p>ENGRV laser engraving (provide design & consult to specify)</p> <p>RMT remote driver</p> <p>BBU remote battery back up with remote driver</p> <p>CNTRW continuous rows (consult factory to configure row lengths, wiring layout and components. Max blade length is 95". Fixtures have sealed ends with silicone gaskets between modules. Continuous row fixtures have a 1" gap between blades.) Example: RM93-EXT -1/96 -1/60 -1/60 -1/96</p>
<h3>Modify & Customize *</h3>		
<p>MOD indicates a modification to standard spec attributes</p> <p>CSM indicates a customized feature</p> <p>standard: RM93-EXT - 96 - 40 - SO - 935 - DIM - REC - BLK - BBU</p> <p>modified lm: MOD - RM93-EXT - 60 - 30 - MD400LM - 930 - DIM - SRF - WHT</p> <p>custom length: CSM - RM93-EXT - 75 - 30 - SO - 840 - DIM - REC - ASL</p> <p>* MOD/CSM placed at the beginning of an order sequence</p>		

