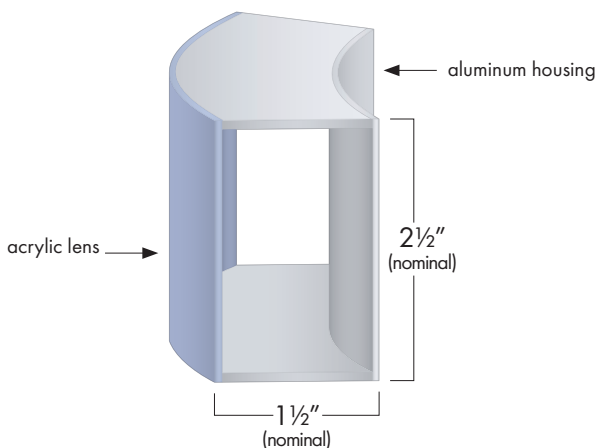
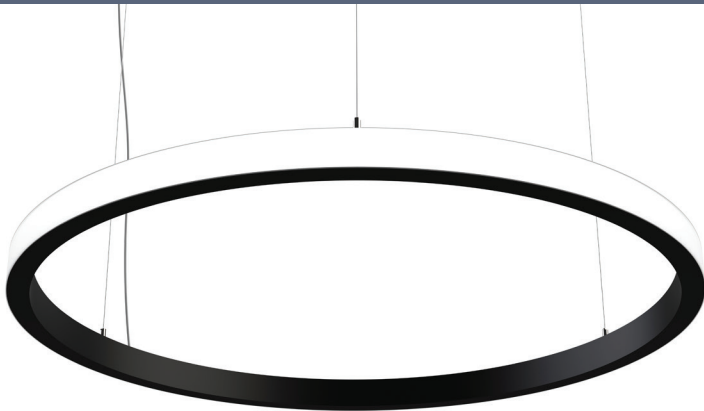




SLENDER RING WITH 360°
VIBRANT OUTER GLOW



Features

- Diameter:** 24" to 72" (nominal)
- Output:** 98 LPW
- Housing:** Formed aluminum
- Lens:** Transmissive, frosted acrylic
- Mounting:** Pendant or surface
- Driver:** Inside canopy or remote
- Weight:** 2.75 lb/ft (based on Ø)
- Certification:** UL listed for damp location use
- Warranty:** 5-year limited warranty
- Photometry:** Third-party photometric report and IES files on the website

- Power-over-Cable option
- Mounting for multi-ring clusters
- RGB+W in standard lumen output range
- Acoustic options available

Project: _____ Type: _____ Date: _____

Order: _____

Example: MOD - RPM-OWL - 48 - MD9500LM - 940 - DIM - MCC - ASL - SCC - RMT

Order Guide



Ø (in.)	Lumen Output	LED	Driver	Mounting
24	SO standard 595 lm/ft	Static White	DIM 0-10 V/1%	Pendant
36	HO high 1186 lm/ft	830 CRI >80 3000°K	DIM.1 0-10 V/.1%	SPC single point canopies
48	MD modify lumens and watts (consult factory)	835 CRI >80 3500°K	TRC TRIAC/ ELV	MCC multi-cable center canopy
60		840 CRI >80 4000°K	DAL DALI	MRC multi-ring cluster (consult for submittals)
72		930 CRI >90 3000°K	DMX Digital Multiplex (consult factory)	Power-over-Cable (PoC)
		935 CRI >90 3500°K	DIM, DIM.1, DAL, DMX drivers rated 120-277 VAC. TRC drivers rated 120 VAC.	MCC-POC Power-over-Cable with multi-cable center canopy (consult for submittals)
	Example Calculation for a 48" High Output Ring: (4' x 3.14) x 1186 = 14,896 total lumens	940 CRI >90 4000°K		Surface
		Dynamic White		SRF surface mount (1" stand-off)
		TW tunable white 2700-6500°K		
		WD warm dim 2200-3500°K		
		Red, Green, Blue + White		
		RGBW30 RGB+W+3000°K		
		RGBW35 RGB+W+3500°K		
		RGBW40 RGB+W+4000°K (consult for TW, WD & RGBW)		



Fixture Finish	Canopy Cord Finish	Options	Acoustic Options
Powder Coat	Powder Coat	RMT remote driver	Panel*
WHT matte white	Standard	BBU remote battery backup with remote driver	FPL light gray
BLK matte black	Canopy Color		FPD dark gray
ASL anodized silver	Cord Color		FPB blue
GRY matte gray (RAL 7035)	WCC white white		FPG green
RALX matte RAL color X=code (specify)	BCC black black		FPY yellow
CCL custom color (provide chip)	SCC silver silver		FPR red
	MBC white silver		* max Ø = 48"
	RAL		Skin**
Wood Grain*	RCW RALX white		FSL light gray
WG1 ash	RCB RALX black		FSD dark gray
WG2 teak	RCS RALX silver		FSB blue
WG3 walnut	Custom		FSG green
WG4 zebrawood	CCW CCL white		FSY yellow
Skin*	CCB CCL black		FSR red
CFS carbon fiber	CCS CCL silver		** inner wall only
* inner wall only			

Modify & Customize*

MOD indicates a modification to standard spec attributes
CSM indicates a customized feature

standard: RPM-OWL-72-SO-RGBW35-DMX-SPC-BLK-BCC-FPD
 modified Lm: MOD-RPM-OWL-48-MD9500LM-940-DIM-MCC-ASL-SCC-RMT
 custom ring Ø: CSM-RPM-OWL-42/67/95-SO-940-DIM-MRC-WHT-WCC

* MOD/CSM placed at the beginning of an order sequence