

SCF

LUMINOUS CYLINDERS WALL + CEILING MOUNT

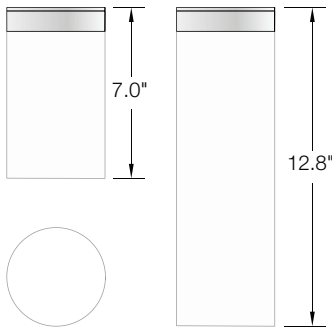
- Twist lock mounting ring
- Ceiling or wall mounting
- Integral driver with 0-10v dimming

order sequence information

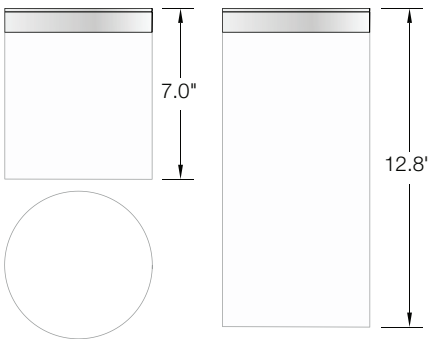
SCF-

EXAMPLE	1	2	3
	SCF4-12	4000	-

SCF4 4 inch diameter



SCF6 6 inch diameter



2 LED COLOR TEMP

3000	3000°K CRI >80
3500	3500°K CRI >80
4000	4000°K CRI >80

3 COLOR - DEFAULT IS MATTE WHITE

WHT	Matte white powder coat
GRY	Matte gray (RAL7035) pc
ASL	Anodized silver powder coat
BLK	Satin black powder coat
RAL	Specify the 4 digit RAL color number, satin finish



CAT NO.	DESCRIPTION	LUMEN OUTPUT
---------	-------------	--------------

4 INCH DIAMETER

SCF4-6	6" length,	993 delivered lumens,	10 watts
SCF4-12	12" length,	1,050 delivered lumens,	10 watts

6 INCH DIAMETER

SCF6-6	6" length,	993 delivered lumens,	10 watts
SCF6-12	12" length,	1,050 delivered lumens,	10 watts

• Drivers are constant current, 120-277 volt, and include two wire 0-10 volt dimming, 5-100%. 3 level current output. Lumen output can be field switched to 70% or 40% of the lumen value(s) shown above.

SCF6 3500°K

104.5 lumens per watt
0-90 degrees: 70%
90-180 degrees: 30%

SCF12 3500°K

110.2 lumens per watt
0-90 degrees: 57%
90-180 degrees: 43%

