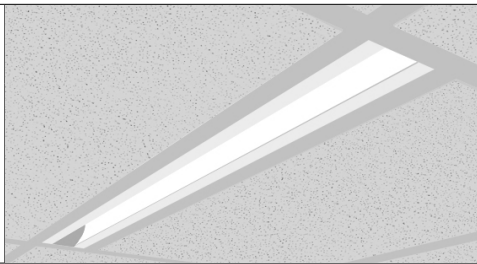
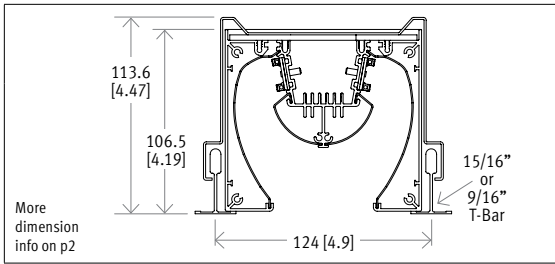


# DR25

## LED . Recessed



CAT #:
PREP BY:
DATE:
PROJECT:
TYPE:
NOTES:

## ORDERING LOGIC

Sample part number: DR25-2L35K-4-N-N-SA-L3-1-T-1-N

DR25			Optics				1	T		N
Model	Color Temp	Length	Up	Down	Finish	LL/Driver	Circuitry	Mounting	Voltage	Controls
2L30K = 3000K	2 = 2 ft	N = None	B = Black	<b>Fixture Lumens</b> Light level measured at 3500K. Add 3% lumen output for 4000K or subtract 2% lumen output for 3000K.	<b>0-10V Dimming (Standard)</b> <b>3500k</b> L1 = 2424 L2 = 3086 L3 = 4434 L4 = 8480	1 = 1 Circuit	<b>Mounting</b> T = Recessed T-Bar	1 = 120 V	2 = 277 V	3 = 347 V
2L35K = 3500K	4 = 4 ft	Optics Down	SA = Satin Aluminum							
1L40K = 4000K	8 = 8 ft	N = None	W = White	Based on 4ft sections. * All drivers remote mounted.						<b>Controls</b> N = None
1LTUN = Tunable White (2700-6500K)	R = Continuous Rows		C = Custom Finish Specify RAL#:							

## SPECIFICATIONS

Due to the Continuous Improvement Policy at Metalumen, we reserve the right to change our specifications without notice.

**Housing:** Rigid 3-piece extruded aluminum body with 22-gauge steel top cover plate. End Caps: Steel powder coated.

**Optical System:** Mid-flux LED technology transmits to internal smooth, high performance reflectors. Open luminaire, no lens design.

**CRI:** 83+ (3500K) (80 minimum for all CCT)

**Lumen Maintenance:** At an ambient operating temperature of 25°C our LED system output remains useful at L85 ≥ 60 000hrs.

**Finish:** Black, satin aluminum, or white powder coated paint finish. For custom finish, contact factory.

**Mounting:** Fits both 9/16" and 15/16" T-Bar. Mounting brackets provided.

**Drivers:** Metalumen offers dimming drivers as a standard on our entire LED product offering at 0-10V. Dimming range is down to 1%. Power factor @ full load is >90% with a Class 2 rating. All drivers remote mounted.

**Controls:** Not available.

**Lutron Driver Options:** Consult factory for Lutron LED driver options:

- LHE H-Series Hi-lume 1% EcoSystem
- LA2 A-Series Hi-lume 1% 2-wire

• L5E 5-Series EcoSystem

**Approvals:** Certified to NRTL safety and IES Recommendation testing standards. All components are UL/CSA/QPS recognized or listed. RoHS, LM79, LM80 and LM82 compliant. Driver is FCC Part 15 compliant.

**Environment:** Suitable for dry locations.

## WARRANTY

Metalumen will warrant defective luminaires for 5 years from date of purchase. Warranty is valid if luminaire is installed and used according to specification. If defective, Metalumen will send replacement boards or drivers at no cost along with detailed replacement instructions and instructions on how to return defective components to Metalumen.

## LUMINAIRE WATTAGE AND OUTPUT SPECIFICATION

Light Level	Wattage	Lumens Delivered	Efficacy (LPW)	Lumen Adjustment Factor		
				Color Temp	80 CRI	90 CRI
L1	27.784	2424	87	3000K	0.984	0.880
L2	35.416	3086	87	3500K	1.000	0.875
L3	48.576	4434	91	4000K	1.032	0.879
L4	97.244	8480	87			

**APPROVALS**      Signature \_\_\_\_\_      Date \_\_\_\_\_

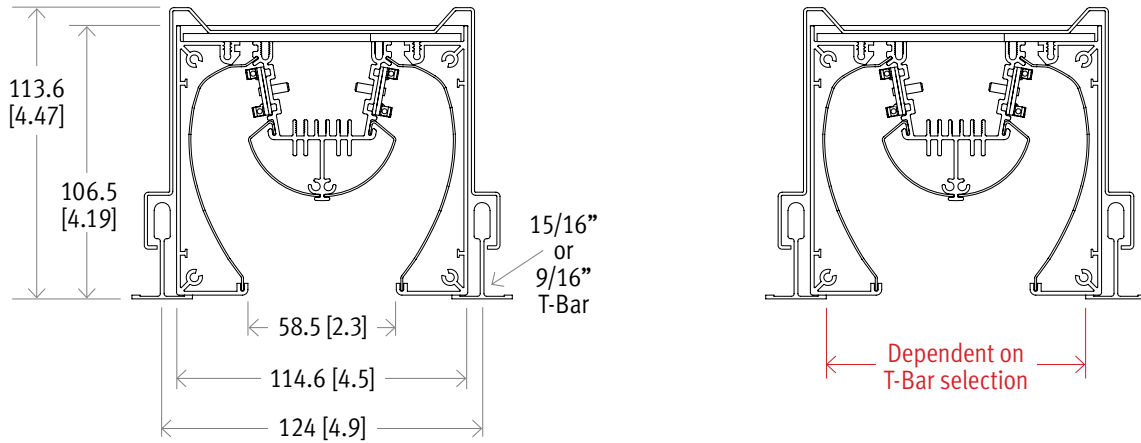
FILE NAME: DR25\_LED\_T\_SPEC\_SHEET\_20191121

570 Southgate Drive, Guelph, Ontario N1G 4P6  
Mailing Address: P.O. Box 1779 Guelph, Ontario, N1H 6Z9

1.800.621.6785 | T 519.822.4381 | F 519.822.4589  
www.metalumen.com



CROSS SECTION DETAIL



PHOTOMETRIC DATA - 3500K

L3

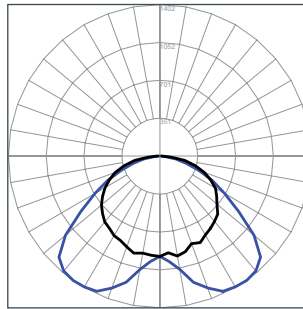
File Name: DR25-2L35K-4-L3  
 Luminaire Lumens: 4434  
 Total Watts: 48.576  
 Efficacy: 91 lm/W  
 Optics Up: None  
 Optics Down: None

COEFFICIENTS OF UTILIZATION

Zonal Cavity Method  
 Effective Floor Cavity Reflectance = .20

RC	80				70				50			
	70	50	30	10	70	50	30	10	50	30	10	
RCR												
0	119	119	119	119	116	116	116	116	111	111	111	
1	108	103	98	94	105	101	97	93	96	93	90	
2	98	89	82	75	95	87	80	75	83	78	73	
3	88	77	68	62	86	75	67	61	72	66	60	
4	80	68	58	51	78	66	58	51	64	56	50	
5	73	60	50	43	71	59	50	43	56	49	43	
6	67	53	44	37	65	52	43	37	50	43	37	
7	62	48	39	32	60	47	38	32	46	38	32	
8	58	43	34	28	56	43	34	28	41	34	28	
9	54	40	31	25	52	39	31	25	38	30	25	
10	50	36	28	23	49	36	28	22	35	27	22	

PHOTOMETRIC CURVE



CANDLE DISTRIBUTION

Vertical Angle	Horizontal Angle				
	0	22.5	45	67.5	90
0	927.81	927.81	927.81	927.81	927.81
5	895.97	942.32	991.84	989.54	977.07
10	937.74	948.48	1029.55	1041.02	1065.62
15	915.62	972.98	1104.73	1150.86	1206.87
20	862.94	987.01	1159.59	1272.5	1299.68
25	883.05	1004.83	1232.67	1353.09	1379.29
30	843.67	1024.11	1251.78	1368.98	1396.24
35	818.06	1037.58	1272.68	1371.19	1402.28
40	787.56	1029.09	1245.65	1337.96	1385.36
45	759.27	1011.36	1204.14	1287.87	1321.85
50	689.79	963.46	1150.47	1178.39	1141.26
55	642.37	909.44	1061.95	945.1	893.69
60	596.36	850.31	891.85	725.44	693.44
65	517.32	755.9	661.79	541.63	534.21
70	437.93	614.83	466.89	402.24	379.45
75	344.12	419.44	303.27	263.25	253.52
80	234.13	232.55	173.19	159.67	149.42
85	103.62	86.06	62.72	56.64	56.47
90	16.87	11.02	7.31	5.27	5.69

LUMINANCE DATA (CD/M²)

Vertical Angle	Horizontal Angle		
	0	45	90
45	7153	7180	7026
55	7210	6620	4855
65	7460	4464	3062
75	7246	2305	1589
85	4284	565	404