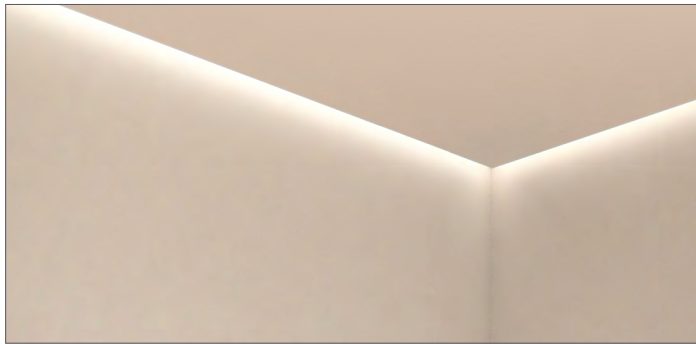


RAIL 4 RP4D TELESCOPIC

LED . RECESSED PERIMETER . DIRECT



PART #:	
PREP BY:	DATE:
PROJECT:	
NOTES:	
APPROVAL SIGNATURE:	DATE (DD/MM/YYYY):

PERFORMANCE SUMMARY @ 3500K

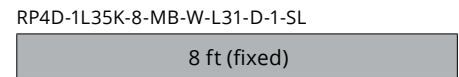
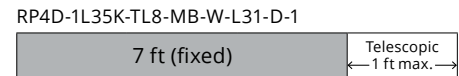
		Meta Blanc	Meta Asymmetric
		L3	L3
Lumens per foot	80 CRI	596	583
	90 CRI	522	510
Wattage per foot		6.1	6.1
Efficacy (lm/W)	80 CRI	99	96
	90 CRI	86	84
L70 Estimate (h)		≥ 60,000 hrs	

See page 2 for the complete Light Level Performance chart.

FEATURES

- Architectural perimeter application
- Available in both flush and 3" regressed
- 0-10V standard dimming
- Continuous runs and 90 degree corners available
- Each specified run includes a telescopic section that adds up to 12 inches.

Part number examples for an 8 ft section with and without a Telescopic section



TL will automatically be added to part numbers following the length. TL will not be added if Standard lengths Only (SL) under options has been specified. Length specified will be the maximum length of the luminaire.

ORDERING LOGIC

1. SERIES	2. COLOR TEMP	3. LENGTH**	4. PATTERN ¹	5. OPTICS	6. FINISH	7. LIGHT LEVEL / DRIVER
RP4D	1L30K 3000K 1L35K 3500K 1L40K 4000K	XX Total Length (in ft) Minimum length of 2 ft. - None (leave space empty)	GA Square GAxB Rectangle UAxBxC U-Shape LAxB L-Shape C Custom Pattern* - None (leave space empty)	MB Meta Blanc MA Meta Asymmetric	W White C Custom Finish Specify RAL:	L1 Select Driver below. L2 L3 See Light Level Performance chart on p2. L4 LX Enter desired lm/ft:
	90 CRI is available under OPTIONS	Each specified run includes a telescopic section. Please see Telescopic Section Lengths on page 2 for more details and part numbers.	Standard Patterns - drawing of pattern configuration is required on page 3. Select corner: <input type="checkbox"/> Outside 90° <input type="checkbox"/> Inside 90°	Meta Blanc: Opal diffuse lens Meta Asymmetric: High output semi-diffuse lens		
8. CIRCUITRY	1 1 Circuit EM Emergency / Night Light* B Emergency Battery Pack*		9. MOUNTING	10. VOLTAGE	11. OPTIONS	
			T Recessed T-Bar Flush T3 Recessed T-Bar Regressed 3" D Recessed Drywall Flange Flush D3 Recessed Drywall Flange Regressed 3" K Drywall Spackle Flange K3 Drywall Spackle Flange Regressed 3"	1 120 V 2 277 V 3 347 V 4 UNV (120 - 277V)	90 90 CRI, High R9 P Plenum SL Standard Lengths Only (No Telescopic Sections) - None (leave space empty)	

*Consult factory. |**Certain lengths may include up to 2 telescopic sections. | ¹ Pattern record drawings will be sent out upon order.

Select Driver:

- Factory option 1% dimming (Standard)
- LHE** Lutron H-Series Hi-lume 1% EcoSystem LED Driver*
- LA2** Lutron A-Series Hi-lume 1% 2-wire LED Driver*
- L5E** Lutron 5-Series EcoSystem LED Driver*

Light Level Performance

3500K, 80 CRI, 0-10V Dimming (Standard)

Optics	Meta Blanc			Meta Asymmetric		
	Lumens per foot	Wattage per foot	Efficacy (LPW)	Lumens per foot	Wattage per foot	Efficacy (LPW)
L1	350	3.5	100	343	3.5	98
L2	439	4.4	99	429	4.4	97
L3	596	6.1	99	583	6.1	96
L4	1106	12.5	89	1081	12.5	87

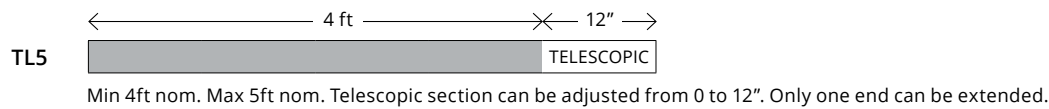
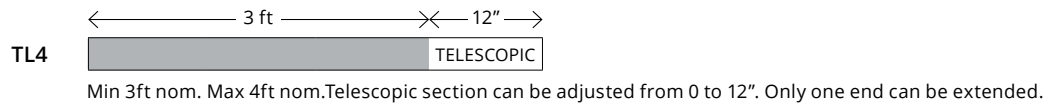
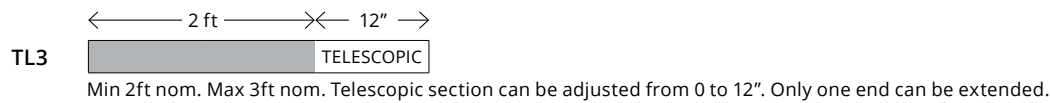
Lumen Adjustment Factor

Color Temp	80 CRI	90 CRI
3000K	0.984	0.880
3500K	1.000	0.875
4000K	1.032	0.879

Metalumen's light level performance metrics are subject to manufacturers component tolerances.

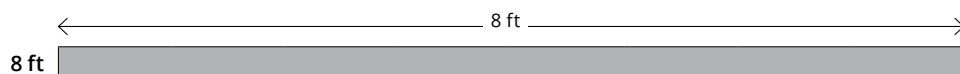
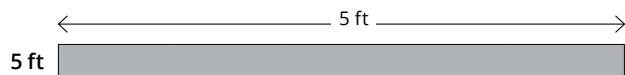
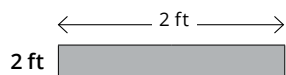
TELESCOPIC SECTION LENGTHS

The specified length in the order logic is the max length of the luminaire. Telescopic section lengths can be adjusted, and length can be reduced by 12 inches. Please see examples below.



STANDARD SECTION LENGTHS

Standard 2', 3', 4', 5', 8', 10', 12' and inside/outside corners can be combined to make continuous rows or patterns.

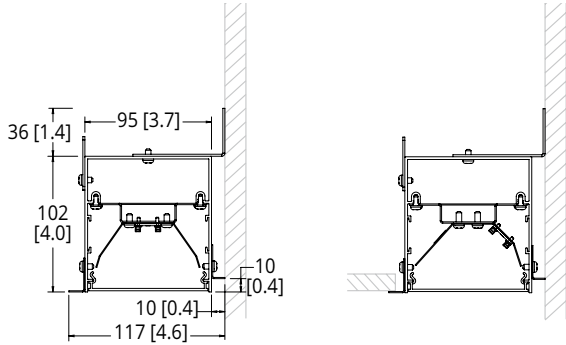


WIRING



Standard Wiring	Emergency Wiring	Emergency Battery Pack Wiring

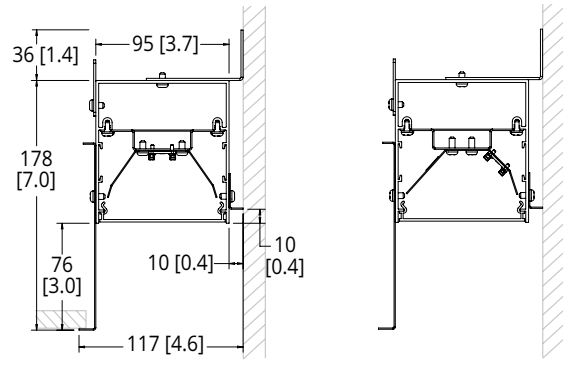
CROSS SECTIONS



Symmetric Reflector

Asymmetric Reflector

Flush



Symmetric Reflector

Asymmetric Reflector

Regressed 3"

NOTE: Wall must be finished at least 6" above the ceiling height before flush fixture is mounted.

NOTE: Wall must be finished at least 9" above the ceiling height before regressed fixture is mounted.

SPECIFICATIONS

Due to the Continuous Improvement Policy at Metalumen, we reserve the right to change our specifications without notice.

Housing: Rigid extruded aluminum body, 2.0mm (0.08") nominal wall thickness. 95mm (3.7") wide x 102mm (4.0") high, not including height of Fascia (add up to 4"). Steel reflectors and aluminum end caps. Telescopic portions can be quickly and easily cut to length in the field.
Optical System: Metalumen luminaires are designed to utilize leading edge LED technology combined with luminaire optimized

reflectors and our custom diffusers, resulting in industry leading optical performance.
CRI: Minimum 80 CRI. 90 CRI is available as an option for superior colour rendering capability.
Lumen Maintenance: Minimum 50,000h with TM-21 lumen maintenance of 85% @ 24°C ambient temperature (calculated based on IESNA LM-80-08 LED test data). L70: ≥ 60,000hrs.

Finish: Standard white finish. For custom finish, contact factory.
Weight: See RP4D Weights chart below.
Mounting: Suitable for 9/16" and 15/16" T-Bar.
Electrical: Fixtures are all factory pre-wired for easy connection and installation. Integral driver configuration is factory pre-wired and includes wire quick connectors.
Drivers: Metalumen offers 0-10V dimming* as a standard on our entire

LED product offering. Dimming range is 1%-100%. Power factor is > 90%. Class 2 rating.
Approvals: UL listed. Plenum - CCEA approved.
Environment: Suitable for dry locations.
**Standard drivers compatible with passive/sinking dimmers. Please contact Metalumen if active/sourcing dimmer support is required.*

RP4D WEIGHTS for 4' ALONE SECTIONS	Meta Blanc (Symmetric)		Meta Asymmetric
	Flush	5.30 kg [11.7 lbs]	5.27 kg [11.6 lbs]
	3" Regressed	6.55 kg [14.4 lbs]	6.52 kg [14.3 lbs]

WARRANTY

Metalumen will warrant defective luminaires for 5 years from date of purchase. Warranty is valid if luminaire is installed and used according to specification. If defective, Metalumen will send replacement boards or drivers at no cost along with detailed replacement instructions and instructions on how to return defective components to Metalumen.

PHOTOMETRIC DATA - 3500K, 80 CRI

Optics: **Meta Blanc**
 IES File: **RP4D-1L35K-4-MB-L3**
 Lumens: **596/ft** Wattage: **6.1/ft**
 Efficacy: **99**

ZONAL LUMEN SUMMARY

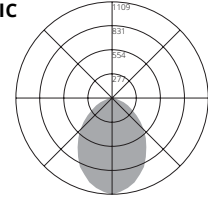
Zone	Lumens	%Fixt
0-90	2385	100
90-180	0	0
0-180	2385	100

LUMINANCE DATA (CD/M2)

Vertical Angle	Horizontal Angle		
	0	45	90
45	3031	3697	6600
55	2032	2640	5558
65	1243	1663	4329
75	573	817	2902
85	129	191	1182

PHOTOMETRIC CURVE

100% Down



Optics: **Meta Asymmetric**
 IES File: **RP4D-1L35K-4-MA-L3**
 Lumens: **583/ft** Wattage: **6.1/ft**
 Efficacy: **96**

ZONAL LUMEN SUMMARY

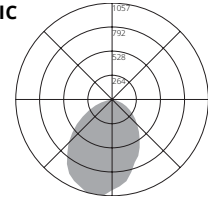
Zone	Lumens	%Fixt
0-90	2334	100
90-180	1	0
0-180	2335	100

LUMINANCE DATA (CD/M2)

Vertical Angle	Horizontal Angle		
	0	45	90
45	2285	2902	6249
55	1623	2084	5339
65	1056	1383	4212
75	531	705	2871
85	152	185	1202

PHOTOMETRIC CURVE

100% Down



Photometric performance is measured and scaled in accordance with IESNA LM-79.